

52284-3 ✓ ACTIVE



PIDG

TE Internal #: 52284-3

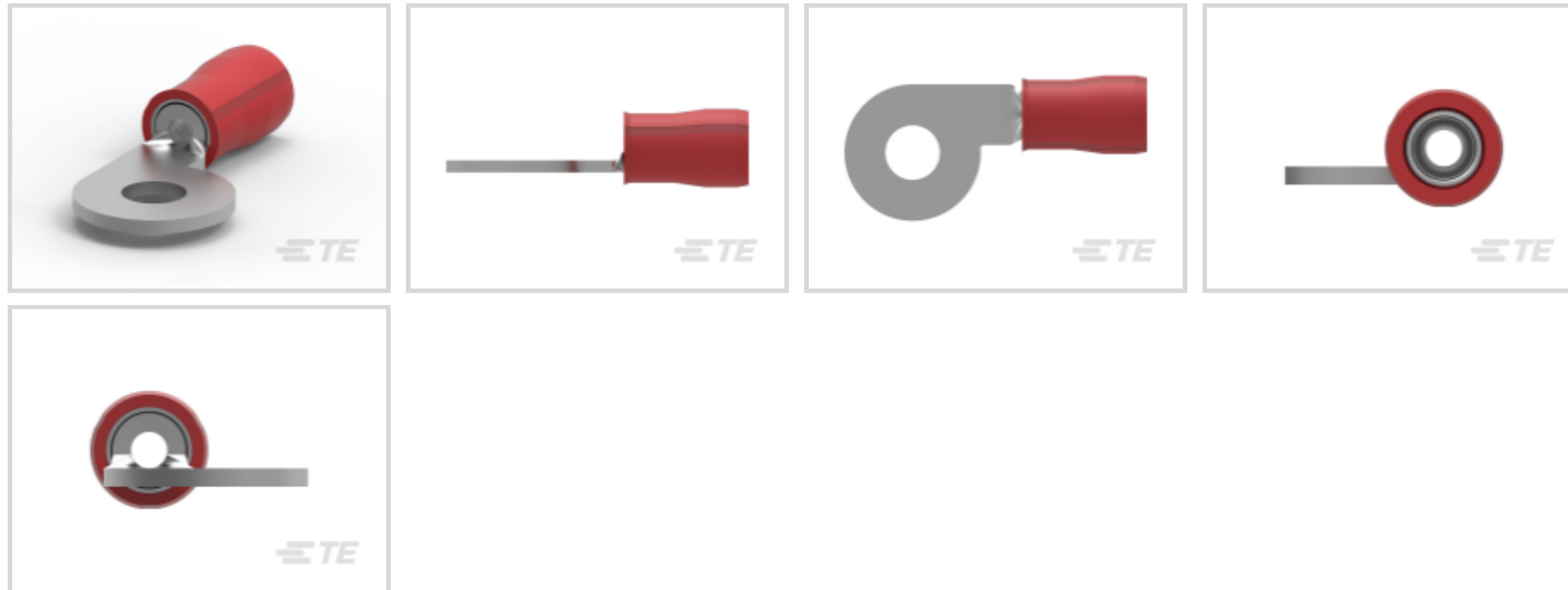
PIDG, Ring Terminals & Spade Terminals, Ring Tongue, 20AWG

Wire Size, .5 – .6mm² Wire Size, 1186CMA Wire Size, #10, Stud

Diameter 4.82 mm [.19 in]

[View on TE.com >](#)

Terminals & Splices > Ring Terminals & Spade Terminals > PIDG OFFSET RING TONGUE TERMINALS



Terminal & Splice Type: **Ring Tongue**

Wire Size: **1186 CMA**

Ring & Spade Stud Size: **#10**

[All PIDG OFFSET RING TONGUE TERMINALS \(7\)](#)

Features

Product Type Features

Shape Description	RING-060
Ring & Spade Stud Size	#10
Ring & Spade Barrel Type	Closed Barrel
Sealable	No
Insulated	Yes
Ring & Spade Wire/Cable Type	Regular Wire
Support Style	Insulation Restriction

Configuration Features

Number of Holes	1
Terminal Angle	Straight

Electrical Characteristics

Voltage (Max)	300 V
---------------	-------

Body Features

Inspection Slot	No
-----------------	----

Insulation Sleeve Color	Red
Stripe Color	Red
Ring & Spade Plating Material	Copper, Tin

Contact Features

Terminal & Splice Type	Ring Tongue
Ring & Spade Terminal Orientation	Offset

Mechanical Attachment

Wire Insulation Support	With
-------------------------	------

Dimensions

Wire Size	1186 CMA
Stud Diameter	4.82 mm [.19 in]
Tongue Thickness	.79 mm [.031 in]
Ring & Spade Overall Length	24.03 mm [.946 in]
Ring & Spade Wire Insulation Diameter (Max)	2.79 mm [.11 in]
Ring & Spade Wire Insulation Diameter	1.17 – 2.79 mm [.046 – .11 in]

Usage Conditions

Insulation Requirement	Partially Insulated
Operating Temperature Range	105 °C [221 °F]

Operation/Application

Heavy Duty	No
------------	----

Industry Standards

Government Qualified	No
----------------------	----

Packaging Features

Packaging Quantity	1000
Ring & Spade Packaging Method	Loose Piece

Product Compliance

[For compliance documentation, visit the product page on TE.com>](#)

EU RoHS Directive 2011/65/EU	Compliant
EU ELV Directive 2000/53/EC	Compliant
China RoHS 2 Directive MIIT Order No 32, 2016	No Restricted Materials Above Threshold
EU REACH Regulation (EC) No. 1907/2006	



Current ECHA Candidate List: JAN 2021
(211)
Candidate List Declared Against: JAN 2017
(173)
SVHC > Threshold:
Not Yet Reviewed

Halogen Content
BFR/CFR/PVC Free, but Br/Cl >900 ppm in other sources.

Solder Process Capability
Not applicable for solder process capability

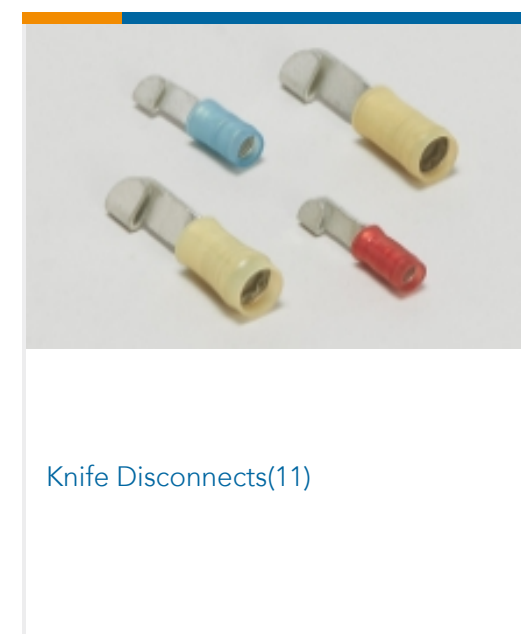
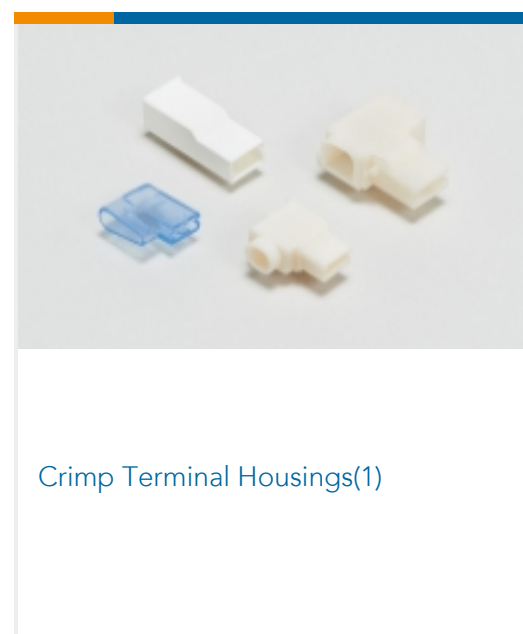
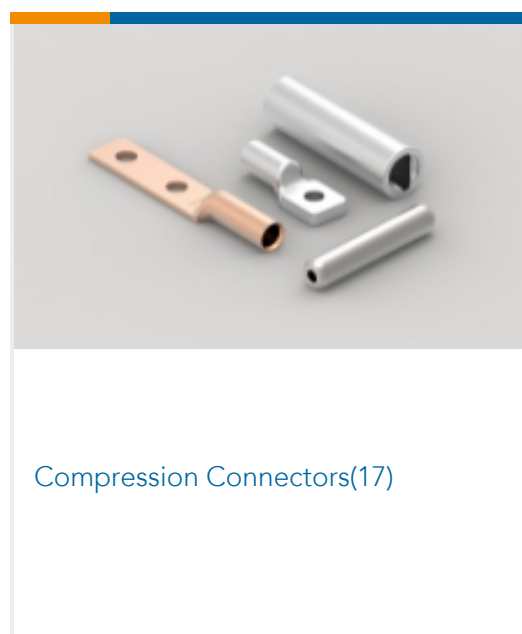
Product Compliance Disclaimer

This information is provided based on reasonable inquiry of our suppliers and represents our current actual knowledge based on the information they provided. This information is subject to change. The part numbers that TE has identified as EU RoHS compliant have a maximum concentration of 0.1% by weight in homogenous materials for lead, hexavalent chromium, mercury, PBB, PBDE, DBP, BBP, DEHP, DIBP, and 0.01% for cadmium, or qualify for an exemption to these limits as defined in the Annexes of Directive 2011/65/EU (RoHS2). Finished electrical and electronic equipment products will be CE marked as required by Directive 2011/65/EU. Components may not be CE marked. Additionally, the part numbers that TE has identified as EU ELV compliant have a maximum concentration of 0.1% by weight in homogenous materials for lead, hexavalent chromium, and mercury, and 0.01% for cadmium, or qualify for an exemption to these limits as defined in the Annexes of Directive 2000/53/EC (ELV). Regarding the REACH Regulations, TE's information on SVHC in articles for this part number is still based on the European Chemical Agency (ECHA) 'Guidance on requirements for substances in articles' (Version: 2, April 2011), applying the 0.1% weight on weight concentration threshold at the finished product level. TE is aware of the European Court of Justice ruling of September 10th, 2015 also known as O5A (Once An Article Always An Article) stating that, in case of 'complex object', the threshold for a SVHC must be applied to both the product as a whole and simultaneously to each of the articles forming part of its composition. TE has evaluated this ruling based on the new ECHA "Guidance on requirements for substances in articles" (June 2017, version 4.0) and will be updating its statements accordingly.

Compatible Parts



Also in the Series | PIDG

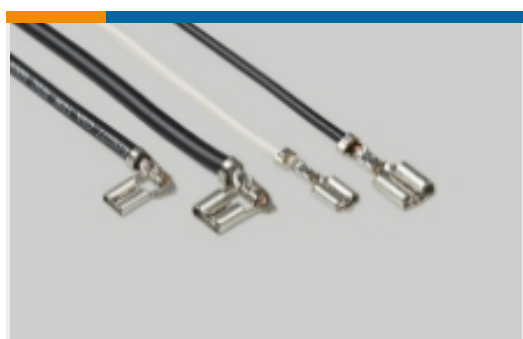




PCB Terminals(9)



Portable Crimp Tools(2)



Quick Disconnects(53)



Ring Terminals & Spade Terminals(862)



Special Purpose Terminals(1)



Splices(48)

Customers Also Bought



TE Part #147287-000
TXR41AB00-1614AI



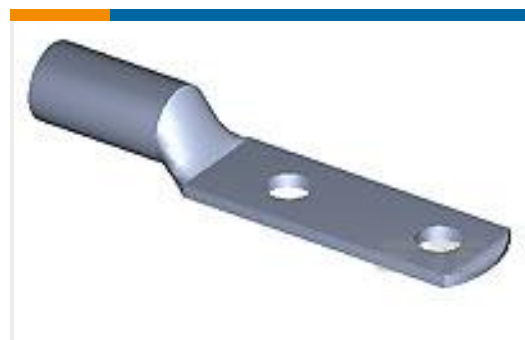
TE Part #476502-000
Heat Shrink Boots: Poly Mold, Lipped



TE Part #55813-1
AMPOWER TERMINAL 90 BENT



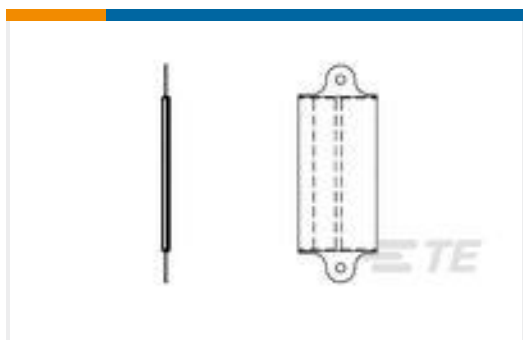
TE Part #C67553-000
44B1811-12-9-9CS2275



TE Part #55840-1
COPALUM R 3/0A 2/0C (2)3/8



TE Part #696423-9
TERMINAL,PIDG PVF2 R 16-14 3/8



TE Part #435021-000
CTM-1052



TE Part #ZPF000000000163603
DMC-M 99-10 SN



TE Part #886625-000
TXR41AB00-2220AI



TE Part #472157-000
TXR54AB45-1208AI

Documents



Product Drawings

N PIDG RING OFFSET 20 10

English

CAD Files

3D PDF

3D

Customer View Model

[ENG_CVM_CVM_52284-3_H.2d_dxf.zip](#)

English

Customer View Model

[ENG_CVM_CVM_52284-3_H.3d_igs.zip](#)

English

Customer View Model

[ENG_CVM_CVM_52284-3_H.3d_stp.zip](#)

English

By downloading the CAD file I accept and agree to the [Terms and Conditions](#) of use.

Product Specifications

Application Specification

English

Product Environmental Compliance

TE Material Declaration

English