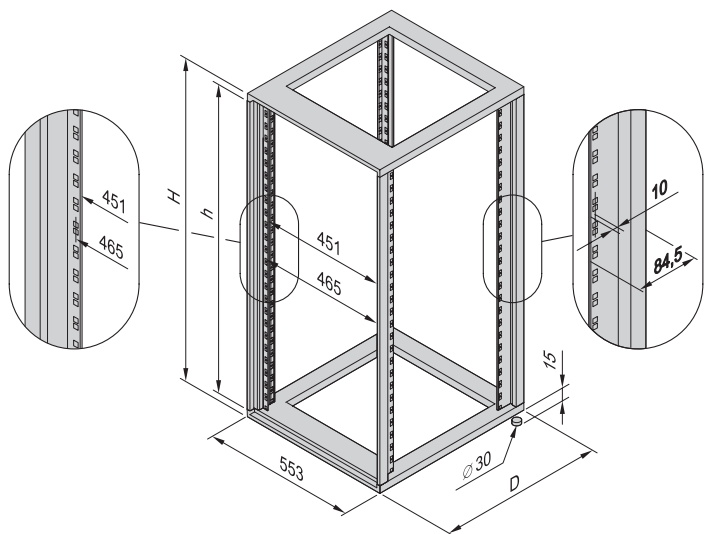


# Cabinets - *minirack*

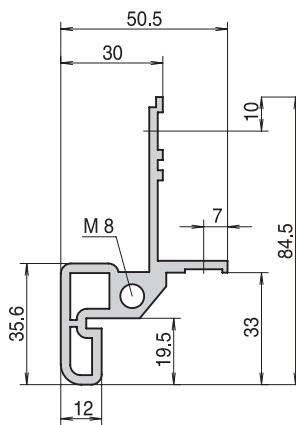
## Dimensions 19" frame

19" frame



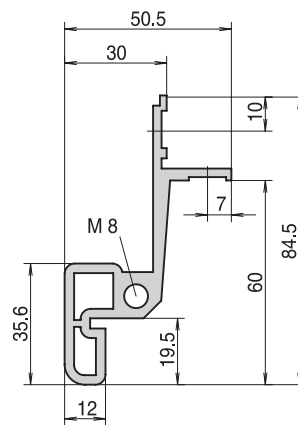
00205071

Upright at front with 19" plane



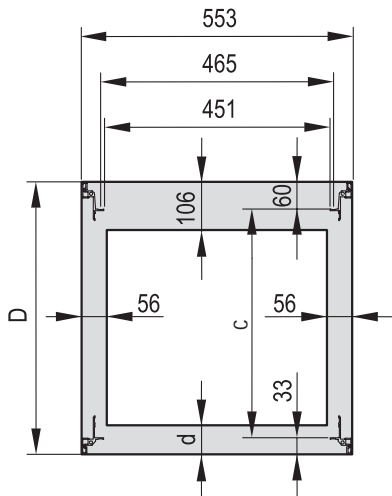
mra44288

Rear upright with 19" plane



mra44289

Plan view



mra45965

- Mounting depth is calculated from the overall depth D minus the distance from the front and rear edges to the respective upright's depth (e.g.  $D - (33 + 60) = c$  dimension)

d = 64 mm for D = 400/500/600 mm, d = 106 mm for D = 780 mm

# Cabinets - *minirack*

## 19" cabinet without front door or rear panel



- Door and rear panel combination freely selectable
- All uprights (front and rear) with 19" cut-outs
- Flush cladding parts
- 3 cabinet depths, 500 mm, 600 mm and 780 mm
- Two colours for side panels
  - RAL 7035 (light grey)
  - RAL 7021 (black grey)

**NEW**

### Delivery comprises (assembled)

Item	Qty	Description
1	1	Frame with 19" cut-outs, Al die-cast frame, Al extrusion, RAL 7021
2	2	Side panel, St, 1 mm; in light grey (RAL 7035) or black grey (RAL 7021), see Order Information
3	1	Flush top cover, St, 1 mm, RAL 7021
4	4	Feet (up to 16 U rubber, from 20 U Al)

### Order Information

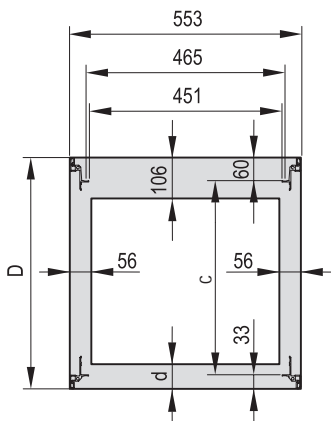
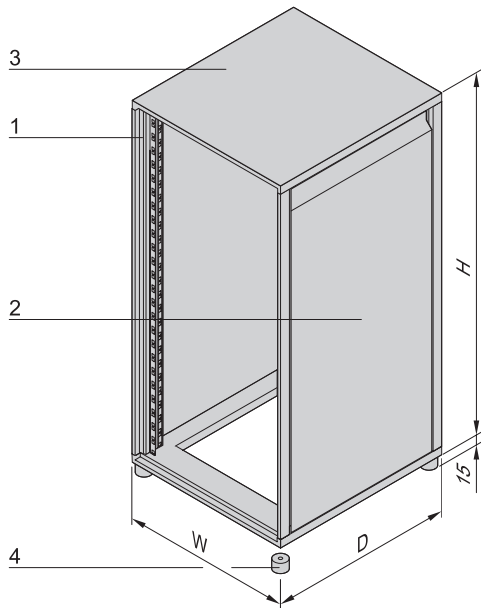
Usable height	Height H	Width W	Depth D	c	Weight	Colour RAL 7021	Colour RAL 7035/ RAL 7021
U	mm	mm	mm	mm	kg	Part no.	Part no.
9	456	553	600	507	16	10230-195	<b>10230-179</b>
12	589	553	500	407	19	10230-196	<b>10230-180</b>
12	589	553	600	507	20	10230-197	<b>10230-181</b>
16	767	553	500	407	20	10230-198	<b>10230-182</b>
16	767	553	600	507	23	10230-199	<b>10230-183</b>
20	945	553	500	407	27	10230-200	<b>10230-184</b>
20	945	553	600	507	30	10230-201	<b>10230-185</b>
20	945	553	780	507	33	10230-202	<b>10230-188</b>
25	1167	553	600	507	32	10230-203	<b>10230-186</b>
25	1167	553	780	507	36	10230-204	<b>10230-189</b>
34	1567	553	600	507	36	10230-205	<b>10230-187</b>
34	1567	553	780	507	42	10230-206	<b>10230-190</b>

**GND/earthing** for frame, doors, side panels, top cover and base plate, PU 1 kit **21101-539**

**Castors** height 70 mm, load-carrying capacity 70 kg per castor, PU (2 locking, 2 non-locking) **20191-089**

### Note

- Please order front/rear door and rear panel separately, see from page 1.244
- Please order base/plinth separately, see page 1.248
- Further dimensions available on ServicePLUS, see from page 1.253



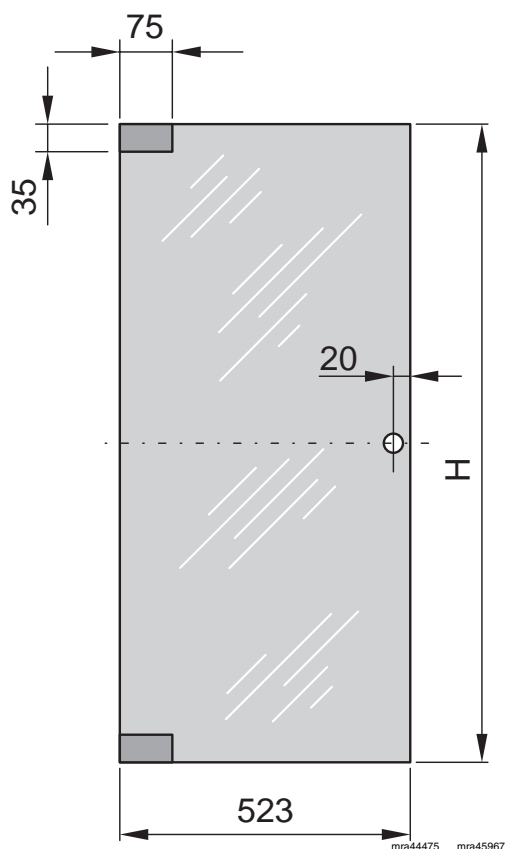
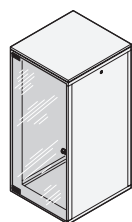
d=64 mm at D=500, 600 mm; d=106 mm at D=780 mm



ServicePLUS see page 1.252

## Cabinets - *minirack*

### Glass door



- Can be assembled at front and rear
- Opening angle 120°

#### Delivery comprises

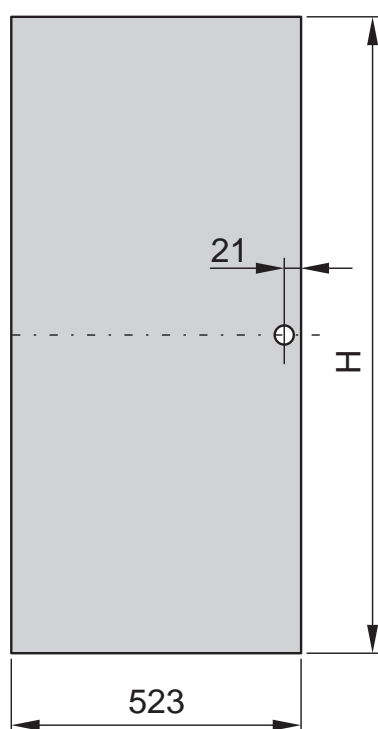
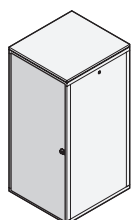
Item	Qty	Description
1	1	Glass door, Sekurit, 6 mm, smoke grey
2	1	Safety lock with 2 keys
3	2	Hinge, St, 3 mm, black (RAL 9005)
4	1	Assembly kit

#### Order Information

For cabinet height mm	Usable height U	H mm	For cabinet width mm	Part no.
322	6	288	553	<b>20117-738</b>
456	9	422	553	<b>20117-739</b>
589	12	555	553	<b>20117-741</b>
767	16	733	553	<b>20117-744</b>
945	20	911	600	<b>20117-745</b>
1167	25	1133	600	<b>20117-746</b>
1567	34	1534	600	<b>20117-748</b>
Spare key 1 piece				<b>60127-018</b>

- Doors with opening angle 180°, see page 1.256

### Steel door



- Can be assembled at front and rear
- Opening angle 120°
- Colour black grey (RAL 7021) or light grey (RAL 7035)

#### Delivery comprises

Item	Qty	Description
1	1	Steel door, St, 1 mm
2	1	Safety lock with 2 keys
3	1	Assembly kit

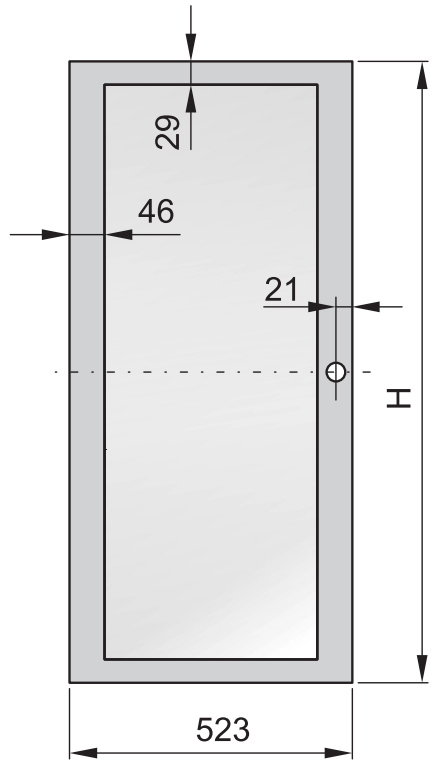
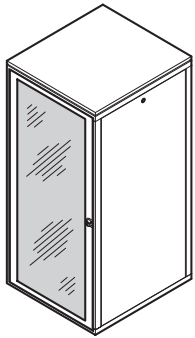
#### Order Information

For cabinet height mm	H mm	For cabinet width mm	Colour RAL 7021 Part no.	Colour RAL 7035 Part no.
322	6	288	22230-341	<b>20230-426</b>
456	9	422	22230-342	<b>20230-429</b>
589	12	555	22230-343	<b>20230-431</b>
767	16	733	22117-934	<b>21117-184</b>
945	20	911	22117-935	<b>21117-185</b>
1167	25	1133	22117-936	<b>21117-186</b>
1567	34	1534	22117-937	<b>21117-188</b>
Spare key 1 piece				<b>60127-018</b>

- Doors with opening angle 180°, see page 1.257

# Cabinets - *minirack*

## Glazed door



mra44477 a4491b

- Can be assembled at front and rear
- Opening angle 120°
- Frame colour black grey (RAL 7021) or light grey (RAL 7035)

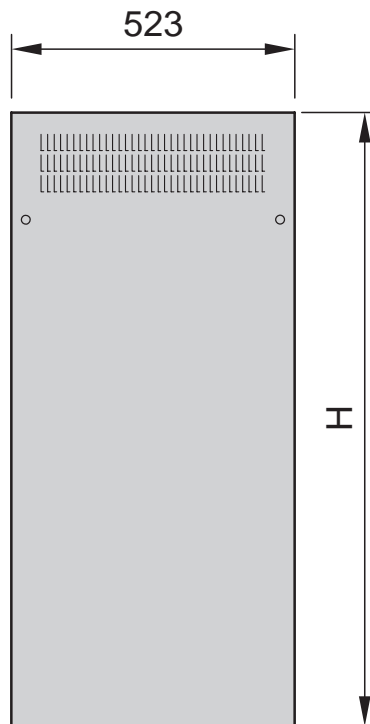
### Delivery comprises

Item	Qty	Description
1	1	Door frame; up to 12 U steel, 1.5 mm; > 12 U aluminium frame, 2 mm
2	1	Acrylic sheet, 2 mm, clear
3	1	Safety lock with 2 keys
4	1	Assembly kit

### Order Information

For cabinet height	H	For cabinet width	Colour RAL 7021	Colour RAL 7035
mm	U	mm	Part no.	Part no.
322	6	288	22230-348	20230-439
456	9	422	22230-349	20230-442
589	12	555	22230-350	20230-443
767	16	733	22117-943	20117-769
945	20	911	22117-944	20117-770
1167	25	1133	22117-945	20117-771
1567	34	1534	22117-946	20117-765
<b>Spare key 1 piece</b>				<b>60127-018</b>

## Rear panel



mra44471 mra45970

### Delivery comprises

Item	Qty	Description
1	1	Rear panel, St, 1 mm, perforation in upper part, incl. 2 catches
2	1	Assembly kit

### Order Information

For cabinet height	H	For cabinet width	Colour RAL 7021	Colour RAL 7035
mm	U	mm	Part no.	Part no.
322	6	288	22230-334	<b>20230-499</b>
456	9	422	22230-335	<b>20230-500</b>
589	12	555	22230-336	<b>20230-501</b>
767	16	733	22230-337	<b>20230-502</b>
945	20	911	22230-338	<b>20230-503</b>
1167	25	1133	22230-339	<b>20230-504</b>
1567	34	1534	22230-340	<b>20230-505</b>

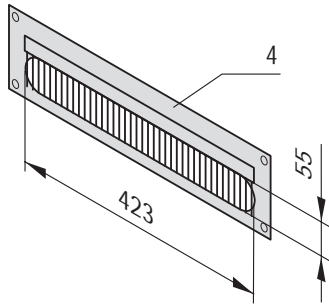
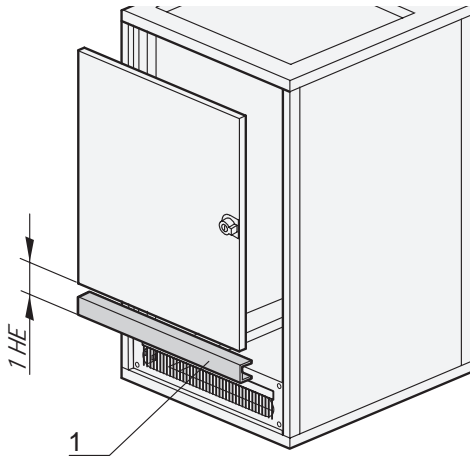
### Note

- Instead of a rear panel, a door can be used



For further information [www.schroff.biz/oneclick](http://www.schroff.biz/oneclick)  
oneClick search code = Part no.

## Door hinge bracket for short doors/rear panels



Cable ducting plate

mrip0006

00201507

- For doors or rear panels that do not extend to the full cabinet height
- Mounting above or below short door or rear panel (as appropriate)
- 1 U assembly area required (may be mounted above or below the door or rear panel)
- The opening can be covered with a 19" filler panel or a cable ducting plate (3 or 4 U)

### Delivery comprises (kit)

item	Qty	Description
1	1	Door hinge bracket, St, 1,5 mm, RAL 7021
2	1	Assembly kit

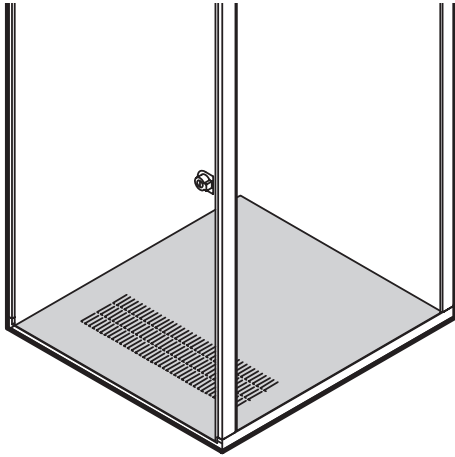
### Order Information

Description	Part no.
Door hinge bracket for front mounting (spacing 33 mm)	<b>22230-163</b>
Door hinge bracket for rear mounting (spacing 66 mm)	<b>22230-164</b>
<b>Item 4</b> 19" cable ducting <b>3 U</b> , RAL 7021, with brush strip and assembly kit, 1 piece	20118-796
<b>Item 4</b> 19" cable ducting <b>4 U</b> , RAL 7021, with brush strip and assembly kit, 1 piece	20118-797

- 19" front panels see chapter Cabinet Accessories, page 3.2

## Cabinets - *minirack*

### Base with perforation



- Perforated in front area of cabinet

#### Delivery comprises (assembled)

Item	Qty	Description
1	1	Base plate, St, 1 mm, RAL 7021, with perforation
2	1	Assembly kit

#### Order Information

For cabinet width mm	For cabinet depth mm	Bestell-Nr.
553	500	<b>22230-232</b>
553	600	<b>22230-233</b>
553	780	<b>22230-234</b>

mra44480

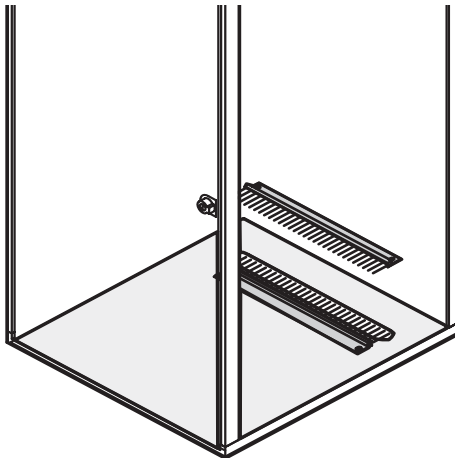
#### Note

- Combination with base/plinth is possible



For further information [www.schroff.biz/oneclick](http://www.schroff.biz/oneclick)  
oneClick search code = Part no.

### Base with cable entry



- Cable ducting in the rear cabinet area with brush strips

#### Delivery comprises (assembled)

Item	Qty	Description
1	1	Base plate, St, 1 mm, RAL 7021, opening for cable through-ducting, width 330 mm, depth 50 mm
2	2	Brush strip
3	1	Assembly kit

#### Order Information

For cabinet width mm	For cabinet depth mm	Bestell-Nr.
553	500	22230-236
553	600	<b>22230-237</b>
553	780	<b>22230-238</b>

mra44481

#### Note

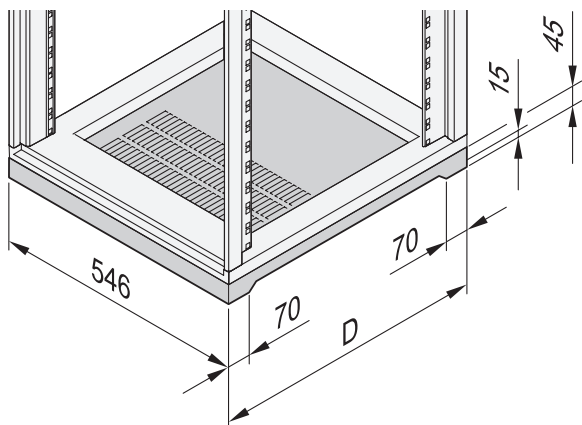
- Combination with base/plinth is not possible



For further information [www.schroff.biz/oneclick](http://www.schroff.biz/oneclick)  
oneClick search code = Part no.

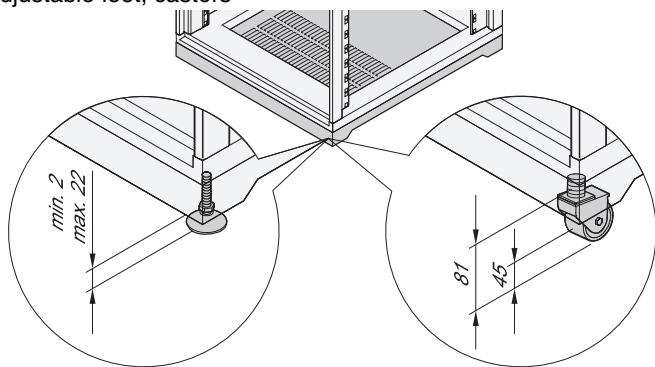
# Cabinets - *minirack*

## Base/plinth



00205070

Adjustable feet, castors



00205067

- Static load-carrying capacity 200 kg
- With perforation

**Delivery comprises** (assembled)

Item	Qty	Description
1	1	Base/plinth, St, 2.5 mm, height 45 mm, RAL 7021
2	1	Assembly kit

### Order Information

For cabinet width mm	For cabinet depth mm	Part no.
553	500	<b>22230-165</b>
553	600	<b>22230-166</b>
553	780	<b>22230-240</b>

**Adjustable feet for base/plinth** St, polyamide, black, load-carrying capacity 100 kg per foot, 4 pieces **21101-124**

**Castors for base/plinth** Metal and plastic, load-carrying capacity 60 kg per castor, 4 pieces **20230-408**

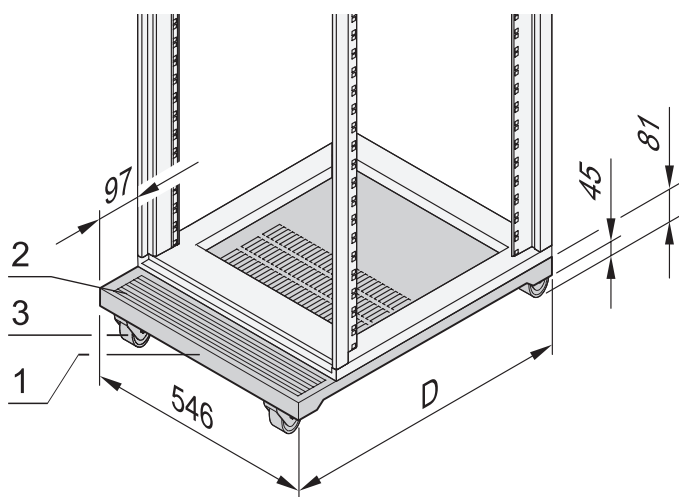
### Note

- Please order adjustable feet or castors separately



For further information [www.schroff.biz/oneclick](http://www.schroff.biz/oneclick)  
oneClick search code = Part no.

## Base/plinth, mobile



mrt0011

- Load-carrying capacity 200 kg

**Delivery comprises** (Kit)

Item	Qty	Description
1	1	Base, St, 2 mm, black (RAL 7021), with perforation
2	1	Rubber mat, natural rubber, anthracite, 3 mm thick, self-adhesive
3	4	Castor, load-carrying capacity 60 kg/castor
4	1	Assembly kit

### Order Information

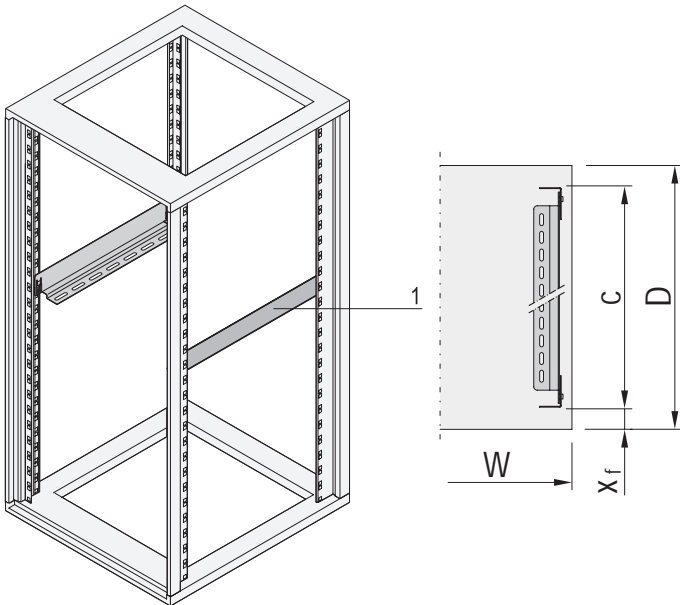
For cabinet depth mm	D mm	Part no.
500	593	<b>22230-167</b>
600	693	<b>22230-168</b>
780	872	<b>22230-242</b>



For further information [www.schroff.biz/oneclick](http://www.schroff.biz/oneclick)  
oneClick search code = Part no.

# Cabinets - *minirack*

## Slide rail



- For assembly on cabinet uprights
- Adjustable in 1 U increments
- Static load-carrying capacity 25 kg per pair

### Delivery comprises

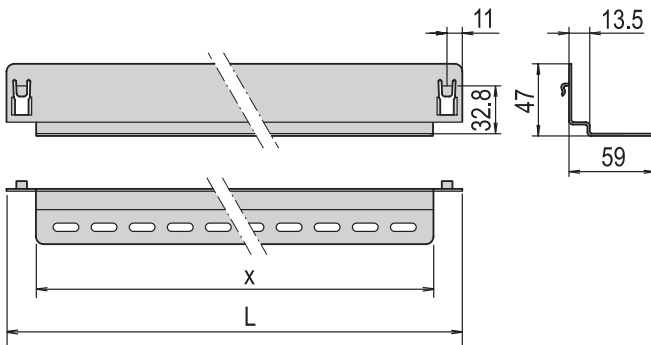
Item	Qty	Description
1	2	Slide rail, St, 1.5 mm, finish AlZn
2	1	Assembly kit

### Order Information

For cabinet depth D	$x_f$	c	L	x	Part no.
mm	mm	mm	mm	mm	
500	33	407	372	322	<b>20230-867</b>
600	33	507	472	422	<b>20230-868</b>
780	33	687	673	601	<b>20230-869</b>

- Further dimensions available on ServicePlus, see from page 1.263

0020505800205069

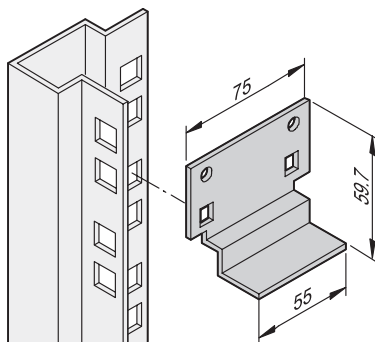


00205051



For further information [www.schroff.biz/oneclick](http://www.schroff.biz/oneclick)  
oneClick search code = Part no.

## Short slide rail



- For assembly at 19" panel/slide mounts
- Adjustable in 1 U increments
- Static load-carrying capacity max. 15 kg per pair

### Delivery comprises

Item	Qty	Description
1	2 / 10	Short slide rail, St, 1,5 mm, finish AlZn
2	1	Assembly kit

### Order Information

Description	Qty/PU	Part no.
Short slide rail	2	<b>20118-592</b>
Short slide rail	10	<b>20118-593</b>

sc96xxxx

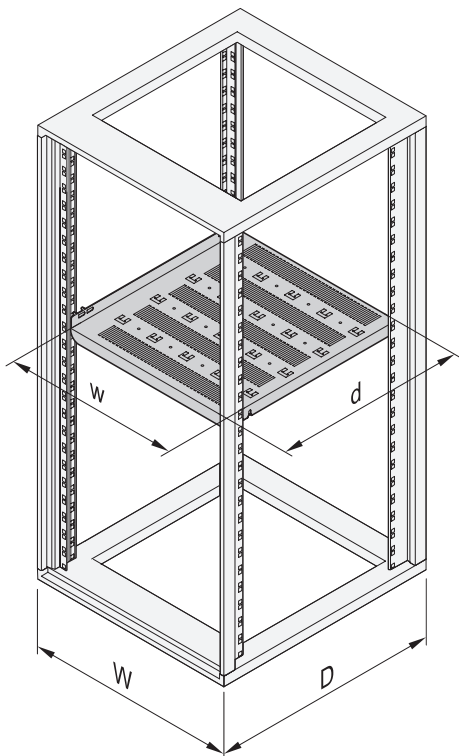


For further information [www.schroff.biz/oneclick](http://www.schroff.biz/oneclick)  
oneClick search code = Part no.



## Cabinets - *minirack*

### 19" fixed shelf, 75 kg



- Static load-carrying capacity 75 kg
- Mounting height 1 U, for mounting on four 19" panel/slide mounts or on the cabinet uprights, full depth
- Hammer head perforation to fix cable ties

#### Delivery comprises

Item	Qty	Description
1	1	Shelf with perforation, St, 1.5 mm, RAL 7021
2	1	Assembly kit

#### Order Information

Cabinet dimensions W x D mm	Usable surface w x d mm	Part no.
553 x 500	490 x 396	<b>22230-169</b>
553 x 600	490 x 496	<b>22230-170</b>
553 x 780	490 x 675	<b>22230-252</b>
GND/earthing kit For fixed shelf, 1 piece		<b>21101-541</b>

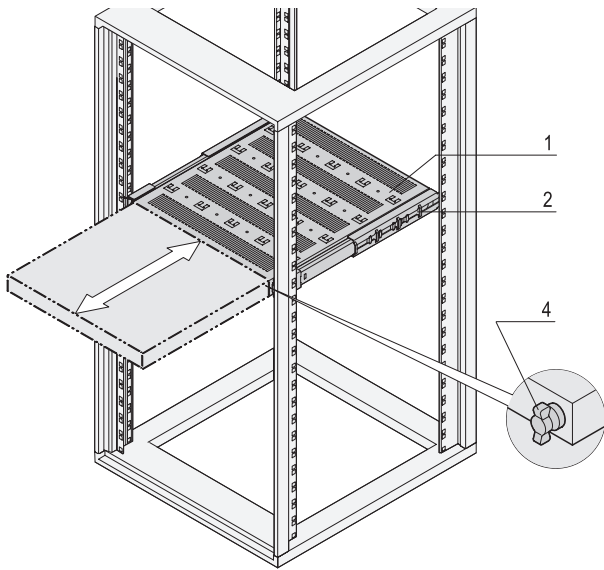


For further information [www.schroff.biz/oneclick](http://www.schroff.biz/oneclick)  
oneClick search code = Part no.

00205068

# Cabinets - *minirack*

## 19" telescopic shelf, 70 kg



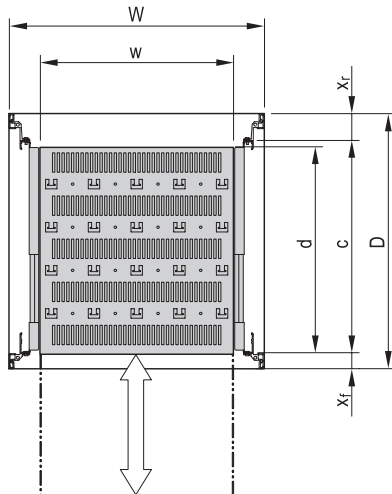
- Static load-carrying capacity at full extension 70 kg
- Mounting height 2 U, for mounting on four 19" panel/slide mounts
- Incl. telescopic slides
- Locking with T-bar lock possible
- Hammer head perforation for assembly with cable ties
- 2 versions
  - Full depth
  - Depth shortened by 100 mm for rear cable ducting

### Delivery comprises

Item	Qty	Description
1	1	Shelf with perforation, St, 1.5 mm, RAL 7021
2	2	Telescopic slide
3	1	Assembly kit

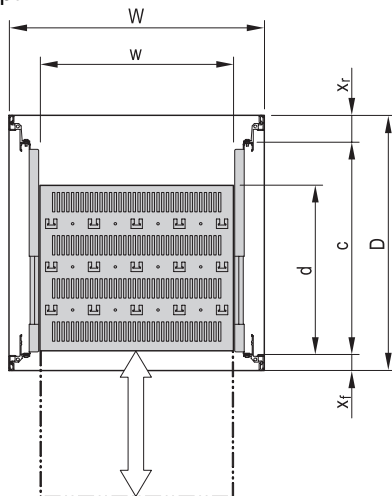
00205053

Full depth



00205056

Shortened depth



00205057

c = max. pitch of the 19" slide mounts  
 $x_f$ ,  $x_r$  = standard assembly dimension

### Order Information

Full depth

Cabinet dimensions W x D	Usable surface w x d	$x_f$	c	$x_r$	Full depth	Part no.
553 x 500	405 x 382	33	407	60		<b>21130-357</b>
553 x 600	405 x 482	33	507	60		<b>21130-353</b>
553 x 780	405 x 682	33	687	60		<b>21130-355</b>
Item 4 T-bar lock for one telescopic shelf (on right or left), 1 piece						<b>23130-092</b>
GND/earthing for 19" telescopic shelf PU 1 kit						<b>21120-189</b>

Please order adjustable feet or castors separately

### Order Information

Shortened by 100 mm

Cabinet dimensions W x D	Usable surface w x d	$x_f$	c	$x_r$	Shortened by 100 mm	Part no.
553 x 500	405 x 282	33	407	60		<b>21130-358</b>
553 x 600	405 x 382	33	507	60		<b>21130-352</b>
553 x 780	405 x 582	33	687	60		<b>21130-354</b>
Item 4 T-bar lock for one telescopic shelf (on right or left), 1 piece						<b>23130-092</b>
GND/earthing for 19" telescopic shelf PU 1 kit						<b>21120-189</b>

c = max. pitch of the 19" slide mounts  
 $x_f$ ,  $x_r$  = standard assembly dimension

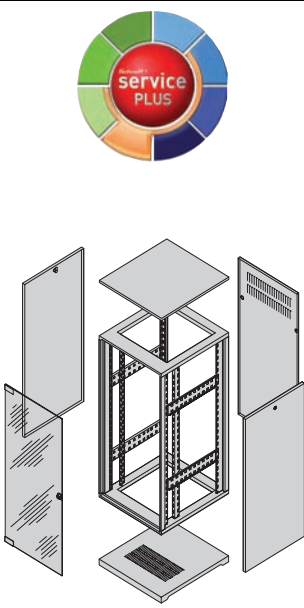
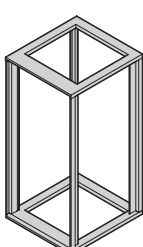
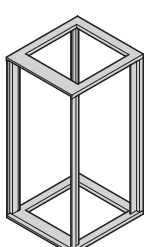
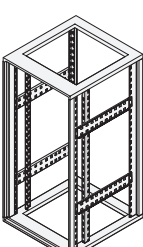
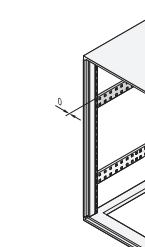
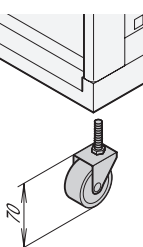
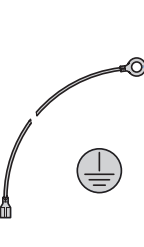


For further information [www.schroff.biz/oneclick](http://www.schroff.biz/oneclick)  
 oneClick search code = Part no.

# Cabinets - *minirack* ServicePLUS

## Frames, castors, GND/earthing

### Order Information

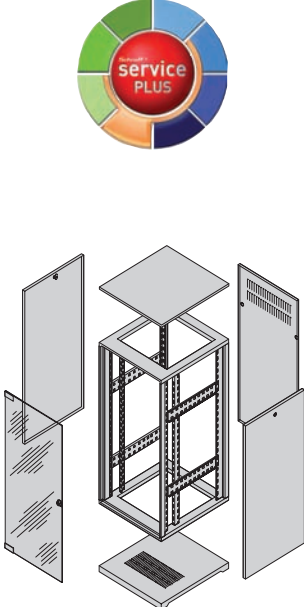
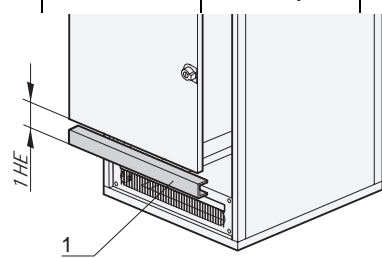
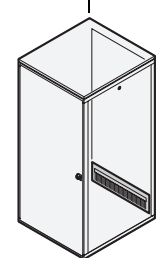
				19" frame	Universal frame				Castors for frame	GND/earthing	
				 <small>mra44469</small> Al, RAL 7021, 19" plane to front and rear	 <small>mra44469</small> Al, RAL 7021, integrated 19" plane to rear, 19" panel mounts to front (please order separately), with depth members, depth-adjustable in 25 mm increments	 <small>00205055</small> St, 2 mm, RAL 7021, please order depth members separately	 <small>00205063</small> <b>RAL 7035</b> , St, 1.5 mm, assembly of panel mounts is depth-adjustable in 25 mm increments <b>AIZn</b> , St, 1.5 mm, assembly of panel mounts is depth-adjustable in 25 mm increments		 <small>mra46115</small> 2 plain castors, 2 locking castors, static load-carrying capacity 70 kg per castor, height H = 70 mm	 <small>aza43284</small> for frame, door, side panel, top cover, base plate	
No.	Cabinet dimensions			1 piece assembled	1 piece assembled	PU 2 pieces assembled	RAL 7035	AIZn	PU 4 pieces supplied loose	PU 1 kit assembled	
	Height U	Width mm	Depth mm				PU 2 pieces assembled	PU 2 pieces assembled			
1	6	322	553	400	22230-171	22230-195	22230-243	20230-858	20230-852		
2	6	322	553	500	22230-172	22230-196	22230-243	20230-859	20230-853	20191-089	21101-539
3	6	322	553	600	22230-173	-	-	20230-860	20230-854		
4	9	456	553	400	22230-174	22230-197	22230-244	20230-858	20230-852		
5	9	456	553	500	22230-175	22230-198	22230-244	20230-859	20230-853	20191-089	21101-539
6	9	456	553	600	22230-176	-	-	20230-860	20230-854		
7	12	589	553	400	22230-177	22230-199	22230-245	20230-858	20230-852		
8	12	589	553	500	22230-178	22230-200	22230-245	20230-859	20230-853	20191-089	21101-539
9	12	589	553	600	22230-179	22230-201	22230-245	20230-860	20230-854		
10	12	589	553	780	22230-180	-	-	20230-861	20230-855		
11	16	767	553	400	22230-181	22230-202	22230-246	20230-858	20230-852		
12	16	767	553	500	22230-182	22230-203	22230-246	20230-859	20230-853	20191-089	21101-539
13	16	767	553	600	22230-183	22230-204	22230-246	20230-860	20230-854		
14	16	767	553	780	22230-184	-	-	20230-861	20230-855		
15	20	945	553	400	22230-185	22230-205	22230-247	20230-858	20230-852		
16	20	945	553	500	22230-186	22230-206	22230-247	20230-859	20230-853	20191-089	21101-539
17	20	945	553	600	22230-187	22230-207	22230-247	20230-860	20230-854		
18	20	945	553	780	22230-188	-	-	20230-861	20230-855		
19	25	1167	553	500	22230-189	22230-208	22230-248	20230-859	20230-853		
20	25	1167	553	600	22230-190	22230-209	22230-248	20230-860	20230-854	20191-089	21101-539
21	25	1167	553	780	22230-191	22230-210	22230-248	20230-861	20230-855		
22	34	1567	553	500	22230-192	22230-211	22230-249	20230-859	20230-853		
23	34	1567	553	600	22230-193	22230-212	22230-249	20230-860	20230-854	20191-089	21101-539
24	34	1567	553	780	22230-194	22230-213	22230-249	20230-861	20230-855		

Frame dimensions, see page 1.240

# Cabinets - *minirack* ServicePLUS

## Door hinge brackets for short doors/rear panels, 19" cable ducting

### Order Information

	<b>Door hinge bracket for 19" frame</b>		<b>Door hinge bracket for Universal frame</b>		<b>19" cable ducting</b>					
	to front, space 33 mm	to rear, space 60 mm	to front, Universal profile	to rear, space 60 mm	3 U	4 U				
										
<p>door hinge bracket, St, 1.5 mm, RAL 7021, to be mounted above or below the short door or rear panel, requires 1 U space; opening can be covered using 3 U/4 U cable ducting plates (please order these separately)</p>				<p>St, 2.5 mm, RAL 7021, with black brush strip for short doors or rear panels</p>						
				mrtp0006	mra46118					
				1 piece assembled	1 piece assembled	1 piece assembled	1 piece assembled	1 piece assembled	1 piece assembled	
No.	U	Height mm	Width mm	Depth mm						
1	6	322	553	400						
2	6	322	553	500	-	-	-	-	-	
3	6	322	553	600	-	-	-	-	-	
4	9	456	553	400	-	-	-	-	-	
5	9	456	553	500	-	-	-	-	-	
6	9	456	553	600	-	-	-	-	-	
7	12	589	553	400						
8	12	589	553	500	22230-163	22230-164	22230-214	22230-164	20118-796	20118-797
9	12	589	553	600						
10	12	589	553	780						
11	16	767	553	400						
12	16	767	553	500	22230-163	22230-164	22230-214	22230-164	20118-796	20118-797
13	16	767	553	600						
14	16	767	553	780						
15	20	945	553	400						
16	20	945	553	500	22230-163	22230-164	22230-214	22230-164	20118-796	20118-797
17	20	945	553	600						
18	20	945	553	780						
19	25	1167	553	500						
20	25	1167	553	600	22230-163	22230-164	22230-214	22230-164	20118-796	20118-797
21	25	1167	553	780						
22	34	1567	553	500						
23	34	1567	553	600	22230-163	22230-164	22230-214	22230-164	20118-796	20118-797
24	34	1567	553	780						