

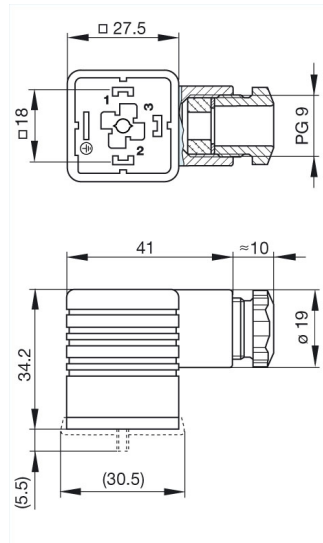


## GDM 2009 grau/grey

Industrial Connectors:Rectangular connectors GDM-series:Type A EN 175301-803 (DIN 43650) / ISO 4400:Cable socket, self-assembly

Product description	
Description	cable socket with central screw M 3 x 35
Type	GDM 2009 grau/grey
Order No.	931 965-106
Other standard types	black housing, Order no. 931 965-100
Number of contacts	2 + PE
Cable gland	PG 9
Conductor size	max. 1.5 mm <sup>2</sup>
Standard	DIN EN 175 301-803-A
Housing Color	grau
Construction type	A

### Drawing



Technical data	
Pin dimensions	6.3 mm x 0.8 mm, 4.8 mm x 0.8 mm
Rated voltage	UC 250 V
Rated current	16 A
Contact resistance	≤ 4 mOhm
Type of termination	screw
Suitable cables	4.5 mm to 7 mm diameter
Mounting	central nut

Material	
Contact surface material	Sn
Contact bearer material	PA
Housing material	PA

Environmental conditions	
Protection class (IEC 60529)	IP 65 (gasket necessary)
Pollution severity	3

Temperature range	-40 °C to +125 °C
<b>Inflammability class</b>	
Housing	94 HB
Contact bearer	94 HB
<b>Approvals</b>	
VDE	VDE
SEV	SEV
CSA	CSA
<b>Packing unit</b>	
Packaging unit	200 pieces
<b>Scope of delivery and accessories</b>	
Accessories to order separately	(NBR) flat gasket GDM 3-7, Order no. 730 801-002; (EPDM) flat gasket GDM 3-21, Order no. 731 739-004; profiled gasket GDM 3-16, Order no. 731 531-002; knurled screw GDM 3011-8, Order no. 732 574-001; stainless steel screw GDM 3011 RF-1, Order no. 734 363-001