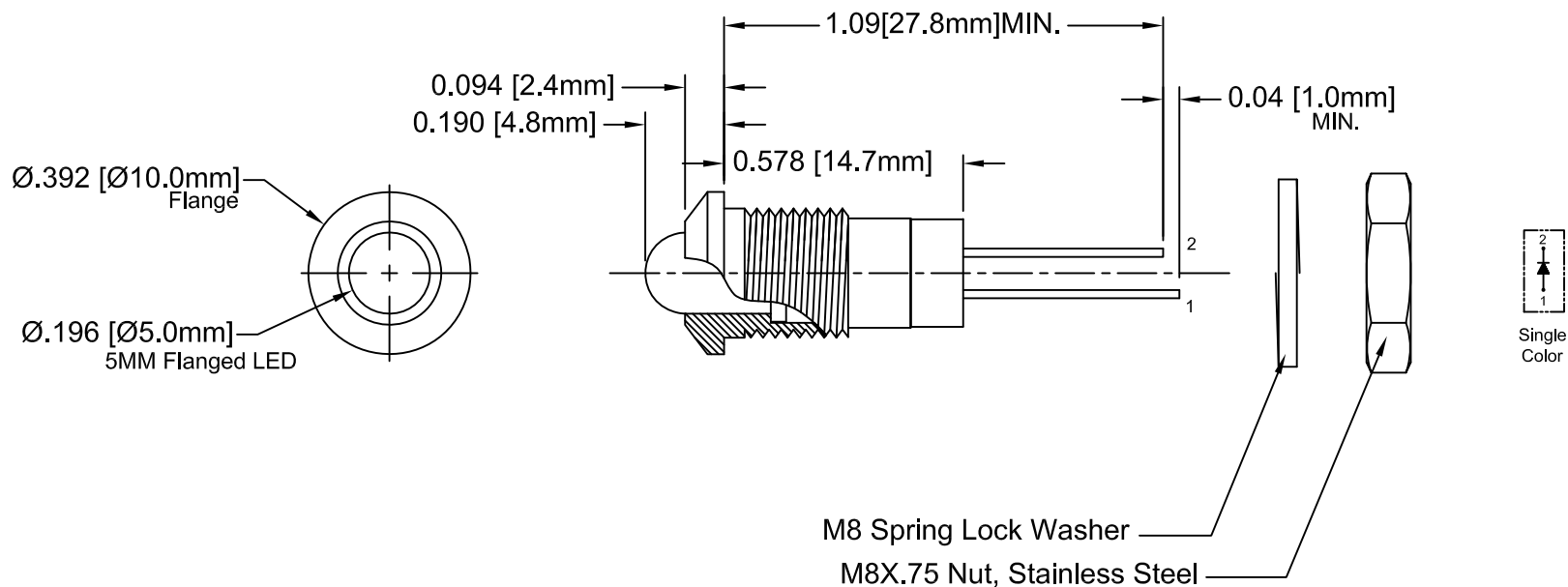
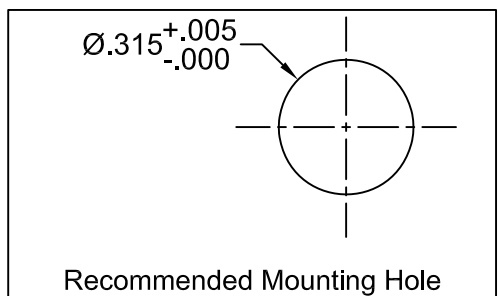


# 571 Series



( Mounting Hardware included, packed separately )

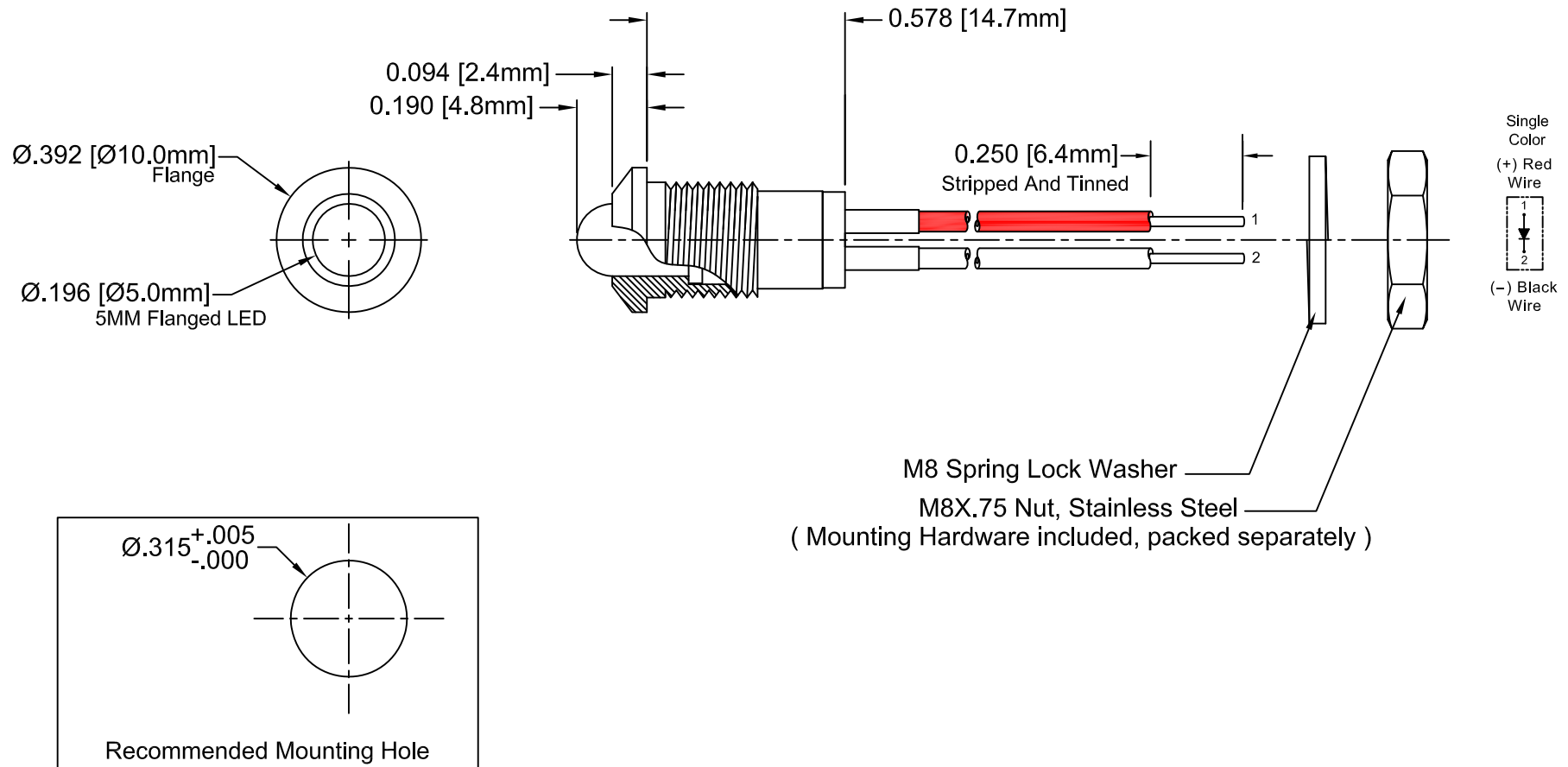


## ABSOLUTE MAXIMUM RATINGS (Ta = 25°C)

REVERSE VOLTAGE	_____	5V
REVERSE CURRENT ( VR=5V)	_____	100µA
OPERATING TEMPERATURE RANGE	_____	-40°C ~ 85°C
STORAGE TEMPERATURE	_____	-40°C ~ 100°C
LEAD SOLDERING TEMPERATURE (1/16" FROM BODY)	_____	260°C for 5 Seconds

STANDARD TOLERANCE ( UNLESS OTHERWISE SPECIFIED )		<b>MARL</b>	MARL BUSINESS PARK, ULVERSTON, UK. LA12 9BN Tel: +44 (0)1229 582 430. Web: www.leds.co.uk
DECIMALS	ANGULAR		
.X ± .1	X° ± 1°		
.XX ± .02		⊕ □	TITLE: Std Metal Panel Mount Indicator
.XXX ± .010			PART NO: 571 Series
<b>Provisional</b>		<b>SHEET # 1 OF 3</b>	
<small>CAD GENERATED DOCUMENT, DO NOT MEASURE DRAWING.</small>			

# 571 Series (Flying Leads version)



## ABSOLUTE MAXIMUM RATINGS ( $T_a = 25^\circ\text{C}$ )

REVERSE VOLTAGE	_____	5V
REVERSE CURRENT ( $V_R=5\text{V}$ )	_____	$100\mu\text{A}$
OPERATING TEMPERATURE RANGE	_____	$-25^\circ\text{C} \sim 85^\circ\text{C}$
STORAGE TEMPERATURE	_____	$-30^\circ\text{C} \sim 100^\circ\text{C}$
LEAD SOLDERING TEMPERATURE (1/16" FROM BODY)	_____	$260^\circ\text{C}$ for 5 Seconds

STANDARD TOLERANCE ( UNLESS OTHERWISE SPECIFIED )		<b>MARL</b>	MARL BUSINESS PARK, ULVERSTON, UK. LA12 9BN Tel: +44 (0)1229 582 430. Web: www.leds.co.uk
DECIMALS	ANGULAR		
.X $\pm .1$	$X^\circ \pm 1^\circ$		
.XX $\pm .02$			TITLE: Std Metal Panel Mount Indicator
.XXX $\pm .010$			PART NO: 571 Series
<b>Provisional</b>		<b>SHEET # 2 OF 3</b>	
CAD GENERATED DOCUMENT, DO NOT MEASURE DRAWING.			

Marl Part No.	Chip			Lens Appearance	Electro-Optical Data @20mA				Viewing Angle 2 Ø 1/2 (Deg)	LED P/N	Termination
	Material	Peak Wave Length	Emitted Colour		If (mA)	Vf (V)		Iv (mcd)			
						MAX	TYP				
571-520-04	GaN/SiC	430	BLUE	DIFFUSED	25	4	4.5	15	45	520	PINS
571-520-04-40											12IN FLYING LEADS
571-514-04	GaP/GaP	568	GREEN	DIFFUSED	30	2.1	2.8	25	45	514	PINS
571-514-04-40											12IN FLYING LEADS
571-502-04	GaAsP/GaP	625	HE RED	DIFFUSED	30	2	2.8	25	45	502	PINS
571-502-04-40											12IN FLYING LEADS
571-505-04	GaP/GaP	700	RED	DIFFUSED	20	2.1	2.8	2	45	505	PINS
571-505-04-40											12IN FLYING LEADS
571-511-04	GaAsP/GaP	590	YELLOW	DIFFUSED	30	2	2.8	25	45	511	PINS
571-511-04-40											12IN FLYING LEADS

STANDARD TOLERANCE ( UNLESS OTHERWISE SPECIFIED )		<b>MARL</b>	MARL BUSINESS PARK, ULVERSTON, UK. LA12 9BN Tel: +44 (0)1229 582 430. Web: www.leds.co.uk
DECIMALS	ANGULAR		
.X ± .1	X° ± 1°		<b>TITLE:</b> Std Metal Panel Mount Indicator
.XX ± .02			<b>PART NO:</b> 571 Series
.XXX ± .010			<b>SHEET # 3 OF 3</b>
<b>Provisional</b>		CAD GENERATED DOCUMENT, DO NOT MEASURE DRAWING.	