

STANDARD EXECUTIONS

Base with articulation or threaded stem with Zinc-plated steel nut.

- **LMP.F (d)**: threaded blind ball joint, without no-slip disk.
- **LMP.F-TR (d)**: threaded blind ball joint.

Thermoplastic elastomer no-slip coating (TPE).

- **LMP.F-TV (d)**: threaded blind ball joint.

Vulcanised rubber (NBR) with no-slip coating hardness 70 tolerance +/-5 Shore A.

- **LMP.F (d – I)**: threaded stem, without no-slip disk.

- **LMP.F-TR (d – I)**: threaded stem.

Thermoplastic elastomer no-slip coating (TPE).

- **LMP.F-TV (d – I)**: threaded stem.

Vulcanised rubber (NBR) with no-slip coating hardness 70 tolerance +/-5 Shore A.

SET SCREW

AISI 304 stainless steel.

FEATURES

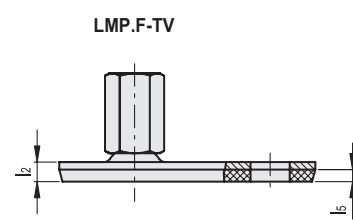
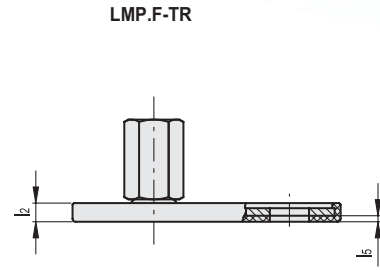
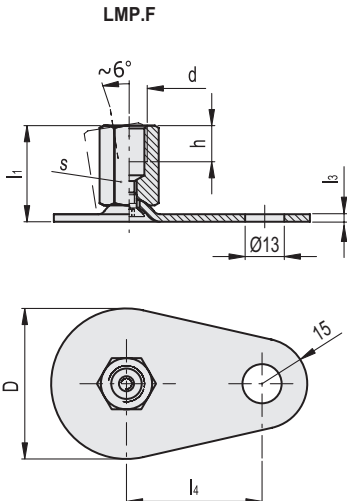
The resistance of the levelling feet to a static load is obviously limited by the permissible load capacity of the rod (steel strength class 500 N/mm²).

The static load values in the table below are the result of laboratory tests in which the load has been applied perpendicularly to the base.

Such values have to be considered as purely indicative and must be verified under the specific conditions of use.

Under common working conditions, side or angular loading increases the stress on the levelling element and reduces its load capacity.

It's the user's responsibility to determine, case by case, whether the product is suitable for the intended use.



LMP.F (d)

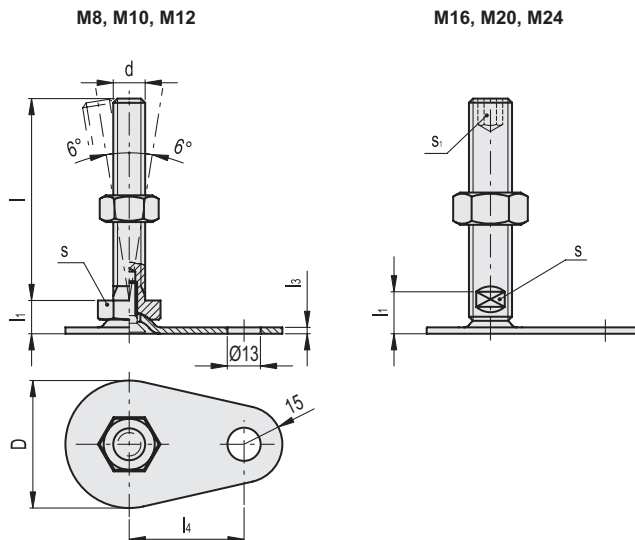
Code	Description	D	d	l1	l3	l4	h	s	Max. limit static load [N]	⚖️
404941	LMP.F-50-M8	50	M8	25	2.5	45	8	14	8000	89
404942	LMP.F-50-M10	50	M10	28	2.5	45	10	14	8000	89
404943	LMP.F-50-M12	50	M12	32	2.5	45	12	17	8000	97
404944	LMP.F-50-M16	50	M16	37	2.5	45	16	22	8000	130
405000	LMP.F-60-M8	60	M8	25	2.5	50	8	14	8000	109
405001	LMP.F-60-M10	60	M10	28	2.5	50	10	14	10000	109
405002	LMP.F-60-M12	60	M12	32	2.5	50	12	17	10000	168
405003	LMP.F-60-M16	60	M16	25	2.5	50	16	22	10000	152
405059	LMP.F-80-M8	80	M8	26	3	70	8	14	8000	184
405060	LMP.F-80-M10	80	M10	29	3	70	10	14	10000	198
405061	LMP.F-80-M12	80	M12	32	3	70	12	17	12000	218
405062	LMP.F-80-M16	80	M16	38	3	70	16	22	12000	257
405063	LMP.F-80-M20	80	M20	45	3	70	20	27	10000	200

LMP.F-TR (d)

Code	Description	D	d	l1	l2	l3	l4	l5	h	s	Max. limit static load [N]	⚖️
404971	LMP.F-50-M8-TR	50	M8	25	6	2.5	45	2	8	14	8000	89
404972	LMP.F-50-M10-TR	50	M10	28	6	2.5	45	2	10	14	8000	89
404973	LMP.F-50-M12-TR	50	M12	32	6	2.5	45	2	12	17	8000	110
404974	LMP.F-50-M16-TR	50	M16	37	6	2.5	45	2	16	22	8000	150
405030	LMP.F-60-M8-TR	60	M8	25	6	2.5	50	2	8	14	8000	109
405031	LMP.F-60-M10-TR	60	M10	28	6	2.5	50	2	10	14	10000	109
405032	LMP.F-60-M12-TR	60	M12	32	6	2.5	50	2	12	17	10000	168
405033	LMP.F-60-M16-TR	60	M16	37	6	2.5	50	2	16	22	10000	170
405098	LMP.F-80-M8-TR	80	M8	26	7	3	70	2	8	14	8000	200
405095	LMP.F-80-M10-TR	80	M10	29	7	3	70	2	10	14	10000	198
405096	LMP.F-80-M12-TR	80	M12	32	7	3	70	2	12	17	12000	218
405097	LMP.F-80-M16-TR	80	M16	38	7	3	70	2	16	22	12000	257
405099	LMP.F-80-M20-TR	80	M20	45	7	3	70	2	20	27	16000	320

LMP.F-TV (d)

Code	Description	D	d	l1	l2	l3	l4	l5	h	s	Max. limit static load [N]	⚖️
403701	LMP.F-50-M8-TV	50	M8	25	6.5	2.5	45	4	8	14	8000	89
403702	LMP.F-50-M10-TV	50	M10	28	6.5	2.5	45	4	10	14	8000	93
403699	LMP.F-50-M12-TV	50	M12	32	6.5	2.5	45	4	12	17	8000	159
403700	LMP.F-50-M16-TV	50	M16	37	6.5	2.5	45	4	16	22	8000	146
403721	LMP.F-60-M8-TV	60	M8	25	7	2.5	50	4.5	8	14	8000	109
403722	LMP.F-60-M10-TV	60	M10	28	7	2.5	50	4.5	10	14	10000	119
403723	LMP.F-60-M12-TV	60	M12	32	7	2.5	50	4.5	12	17	10000	168
403720	LMP.F-60-M16-TV	60	M16	37	7	2.5	50	4.5	16	22	10000	150
403769	LMP.F-80-M8-TV	80	M8	26	8	3	70	5	8	14	8000	223
403741	LMP.F-80-M10-TV	80	M10	29	8	3	70	5	10	14	10000	198
403742	LMP.F-80-M12-TV	80	M12	32	8	3	70	5	12	17	12000	218
403743	LMP.F-80-M16-TV	80	M16	38	8	3	70	5	16	22	12000	257
403740	LMP.F-80-M20-TV	80	M20	45	8	3	70	5	20	27	16000	335



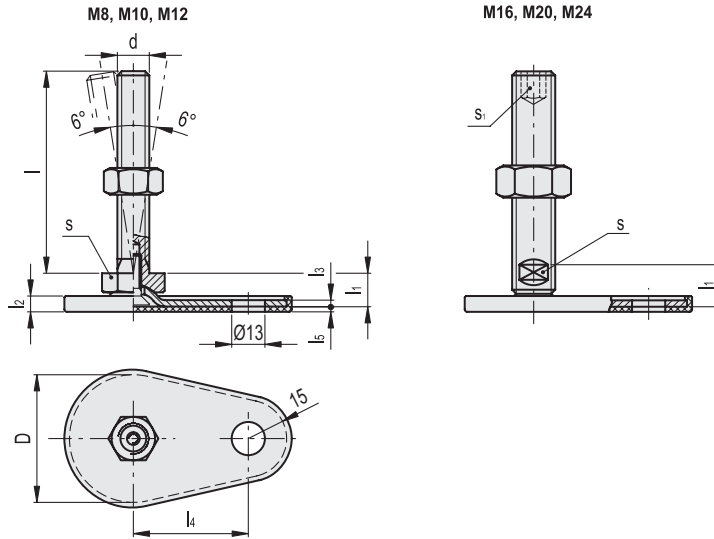
LMP.F (d - l)

Code	Description	D	d	l	l1	l3	l4	s	s1	Max. limit static load [N]	⚖️
404946	LMP.F-50-M8x40	50	M8	40	11	2.5	45	17	-	8000	60
404947	LMP.F-50-M8x50	50	M8	50	11	2.5	45	17	-	8000	70
404948	LMP.F-50-M8x63	50	M8	63	11	2.5	45	17	-	8000	76



LMP.F (d - l)

	Code	Description	D	d	l	li	ls	ll	s	sl	Max. limit static load [N]	⚖
1												
2												
3	404951	LMP.F-50-M10x50	50	M10	50	11	2.5	45	17	-	8000	80
	404952	LMP.F-50-M10x60	50	M10	60	11	2.5	45	17	-	8000	84
	404953	LMP.F-50-M10x80	50	M10	80	11	2.5	45	17	-	8000	99
4	404954	LMP.F-50-M10x100	50	M10	100	11	2.5	45	17	-	8000	100
	404956	LMP.F-50-M12x60	50	M12	60	11	2.5	45	17	-	8000	104
	404957	LMP.F-50-M12x80	50	M12	80	11	2.5	45	17	-	8000	109
5	404958	LMP.F-50-M12x100	50	M12	100	11	2.5	45	17	-	8000	120
	404959	LMP.F-50-M12x125	50	M12	125	11	2.5	45	17	-	8000	160
6	404961	LMP.F-50-M16x75	50	M16	75	17	2.5	45	12	8	8000	175
	404962	LMP.F-50-M16x100	50	M16	100	17	2.5	45	12	8	8000	200
7	404963	LMP.F-50-M16x125	50	M16	125	17	2.5	45	12	8	8000	243
	404964	LMP.F-50-M16x150	50	M16	150	17	2.5	45	12	8	8000	277
8	404965	LMP.F-50-M16x200	50	M16	200	17	2.5	45	12	8	8000	320
	405006	LMP.F-60-M8x40	60	M8	40	11	2.5	50	17	-	8000	65
	405007	LMP.F-60-M8x50	60	M8	50	11	2.5	50	17	-	8000	70
9	405008	LMP.F-60-M8x63	60	M8	63	11	2.5	50	17	-	8000	81
	405011	LMP.F-60-M10x50	60	M10	50	11	2.5	50	17	-	10000	100
10	405012	LMP.F-60-M10x60	60	M10	60	11	2.5	50	17	-	10000	107
	405013	LMP.F-60-M10x80	60	M10	80	11	2.5	50	17	-	10000	114
	405014	LMP.F-60-M10x100	60	M10	100	11	2.5	50	17	-	10000	119
11	405016	LMP.F-60-M12x60	60	M12	60	11	2.5	50	17	-	10000	120
	405017	LMP.F-60-M12x80	60	M12	80	11	2.5	50	17	-	10000	136
12	405018	LMP.F-60-M12x100	60	M12	100	11	2.5	50	17	-	10000	147
	405019	LMP.F-60-M12x125	60	M12	125	11	2.5	50	17	-	10000	167
13	405021	LMP.F-60-M16x75	60	M16	75	17	2.5	50	12	8	10000	187
	405022	LMP.F-60-M16x100	60	M16	100	17	2.5	50	12	8	10000	210
14	405023	LMP.F-60-M16x125	60	M16	125	17	2.5	50	12	8	10000	258
	405024	LMP.F-60-M16x150	60	M16	150	17	2.5	50	12	8	10000	300
15	405025	LMP.F-60-M16x200	60	M16	200	17	2.5	50	12	8	10000	400
	405066	LMP.F-80-M8x40	80	M8	40	12	3	70	17	-	8000	140
16	405067	LMP.F-80-M8x50	80	M8	50	12	3	70	17	-	8000	160
	405068	LMP.F-80-M8x63	80	M8	63	12	3	70	17	-	8000	170
17	405071	LMP.F-80-M10x50	80	M10	50	12	3	70	17	-	10000	150
	405072	LMP.F-80-M10x60	80	M10	60	12	3	70	17	-	10000	168
	405073	LMP.F-80-M10x80	80	M10	80	12	3	70	17	-	10000	180
18	405074	LMP.F-80-M10x100	80	M10	100	12	3	70	17	-	10000	190
	405076	LMP.F-80-M12x60	80	M12	60	12	3	70	17	-	12000	180
	405077	LMP.F-80-M12x80	80	M12	80	12	3	70	17	-	12000	200
	405078	LMP.F-80-M12x100	80	M12	100	12	3	70	17	-	12000	220
	405079	LMP.F-80-M12x125	80	M12	125	12	3	70	17	-	12000	233
	405081	LMP.F-80-M16x75	80	M16	75	18	3	70	12	8	12000	200
	405082	LMP.F-80-M16x100	80	M16	100	18	3	70	12	8	12000	260
	405083	LMP.F-80-M16x125	80	M16	125	18	3	70	12	8	12000	290
	405084	LMP.F-80-M16x150	80	M16	150	18	3	70	12	8	12000	360
	405085	LMP.F-80-M16x200	80	M16	200	18	3	70	12	8	12000	464
	405086	LMP.F-80-M20x75	80	M20	75	19	3	70	15	10	16000	350
	405087	LMP.F-80-M20x100	80	M20	100	19	3	70	15	10	16000	380
	405088	LMP.F-80-M20x125	80	M20	125	19	3	70	15	10	16000	400
	405089	LMP.F-80-M20x150	80	M20	150	19	3	70	15	10	16000	460
	405090	LMP.F-80-M20x200	80	M20	200	19	3	70	15	10	16000	640
	405091	LMP.F-80-M24x100	80	M24	100	22	3	70	19	12	16000	550
	405092	LMP.F-80-M24x125	80	M24	125	22	3	70	19	12	16000	619
	405093	LMP.F-80-M24x150	80	M24	150	22	3	70	19	12	16000	687
4	405094	LMP.F-80-M24x200	80	M24	200	22	3	70	19	12	16000	860

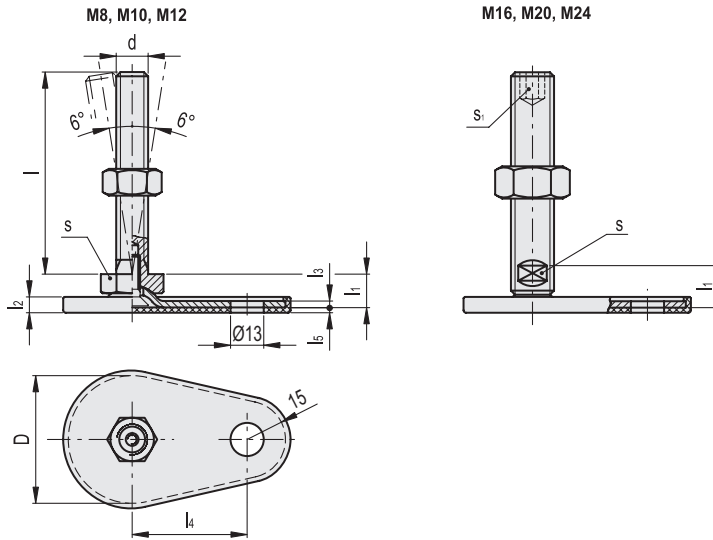


LMP.F-TR (d - l)

Code	Description	D	d	l	l1	l2	l3	l4	l5	s	s1	Max. limit static load [N]	⚖️
404976	LMP.F-50-M8x40-TR	50	M8	40	11	6	2.5	45	2	17	-	8000	61
404977	LMP.F-50-M8x50-TR	50	M8	50	11	6	2.5	45	2	17	-	8000	80
404978	LMP.F-50-M8x63-TR	50	M8	63	11	6	2.5	45	2	17	-	8000	90
404981	LMP.F-50-M10x50-TR	50	M10	50	11	6	2.5	45	2	17	-	8000	88
404982	LMP.F-50-M10x60-TR	50	M10	60	11	6	2.5	45	2	17	-	8000	94
404983	LMP.F-50-M10x80-TR	50	M10	80	11	6	2.5	45	2	17	-	8000	100
404984	LMP.F-50-M10x100-TR	50	M10	100	11	6	2.5	45	2	17	-	8000	110
404986	LMP.F-50-M12x60-TR	50	M12	60	11	6	2.5	45	2	17	-	8000	120
404987	LMP.F-50-M12x80-TR	50	M12	80	11	6	2.5	45	2	17	-	8000	130
404988	LMP.F-50-M12x100-TR	50	M12	100	11	6	2.5	45	2	17	-	8000	140
404989	LMP.F-50-M12x125-TR	50	M12	125	11	6	2.5	45	2	17	-	8000	160
404991	LMP.F-50-M16x75-TR	50	M16	75	17	6	2.5	45	2	12	8	8000	178
404992	LMP.F-50-M16x100-TR	50	M16	100	17	6	2.5	45	2	12	8	8000	220
404993	LMP.F-50-M16x125-TR	50	M16	125	17	6	2.5	45	2	12	8	8000	250
404994	LMP.F-50-M16x150-TR	50	M16	150	17	6	2.5	45	2	12	8	8000	280
404995	LMP.F-50-M16x200-TR	50	M16	200	17	6	2.5	45	2	12	8	8000	300
405036	LMP.F-60-M8x40-TR	60	M8	40	11	6	2.5	50	2	17	-	8000	80
405037	LMP.F-60-M8x50-TR	60	M8	50	11	6	2.5	50	2	17	-	8000	89
405038	LMP.F-60-M8x63-TR	60	M8	63	11	6	2.5	50	2	17	-	8000	104
405041	LMP.F-60-M10x50-TR	60	M10	50	11	6	2.5	50	2	17	-	10000	100
405042	LMP.F-60-M10x60-TR	60	M10	60	11	6	2.5	50	2	17	-	10000	110
405043	LMP.F-60-M10x80-TR	60	M10	80	11	6	2.5	50	2	17	-	10000	120
405044	LMP.F-60-M10x100-TR	60	M10	100	11	6	2.5	50	2	17	-	10000	130
405046	LMP.F-60-M12x60-TR	60	M12	60	11	6	2.5	50	2	17	-	10000	125
405047	LMP.F-60-M12x80-TR	60	M12	80	11	6	2.5	50	2	17	-	10000	143
405048	LMP.F-60-M12x100-TR	60	M12	100	11	6	2.5	50	2	17	-	10000	158
405049	LMP.F-60-M12x125-TR	60	M12	125	11	6	2.5	50	2	17	-	10000	180
405051	LMP.F-60-M16x75-TR	60	M16	75	17	6	2.5	50	2	12	8	10000	200
405052	LMP.F-60-M16x100-TR	60	M16	100	17	6	2.5	50	2	12	8	10000	220
405053	LMP.F-60-M16x125-TR	60	M16	125	17	6	2.5	50	2	12	8	10000	260
405054	LMP.F-60-M16x150-TR	60	M16	150	17	6	2.5	50	2	12	8	10000	300
405055	LMP.F-60-M16x200-TR	60	M16	200	17	6	2.5	50	2	12	8	10000	347



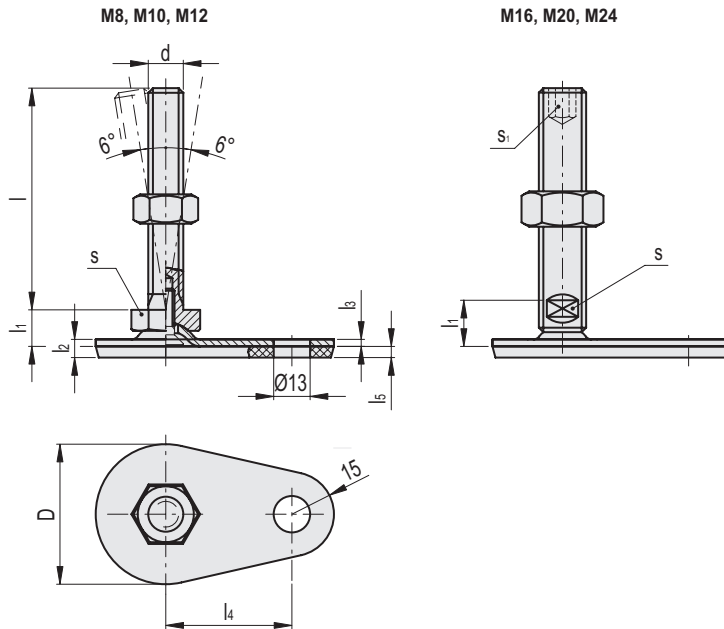
- 1
- 2
- 3
- 4
- 5
- 6
- 7
- 8
- 9
- 10
- 11
- 12
- 13
- 14
- 15
- 16
- 17
- 18



LMP.F-TR (d - l)

Code	Description	D	d	l	l1	l2	l3	l4	l5	s	s1	Max. limit static load [N]	
405101	LMP.F-80-M8x40-TR	80	M8	40	12	7	3	70	2	17	-	8000	156
405102	LMP.F-80-M8x50-TR	80	M8	50	12	7	3	70	2	17	-	8000	163
405103	LMP.F-80-M8x63-TR	80	M8	63	12	7	3	70	2	17	-	8000	180
405106	LMP.F-80-M10x50-TR	80	M10	50	12	7	3	70	2	17	-	10000	160
405107	LMP.F-80-M10x60-TR	80	M10	60	12	7	3	70	2	17	-	10000	184
405108	LMP.F-80-M10x80-TR	80	M10	80	12	7	3	70	2	17	-	10000	206
405109	LMP.F-80-M10x100-TR	80	M10	100	12	7	3	70	2	17	-	10000	230
405111	LMP.F-80-M12x60-TR	80	M12	60	12	7	3	70	2	17	-	12000	200
405112	LMP.F-80-M12x80-TR	80	M12	80	12	7	3	70	2	17	-	12000	220
405113	LMP.F-80-M12x100-TR	80	M12	100	12	7	3	70	2	17	-	12000	250
405114	LMP.F-80-M12x125-TR	80	M12	125	12	7	3	70	2	17	-	12000	290
405116	LMP.F-80-M16x75-TR	80	M16	75	18	7	3	70	2	12	8	12000	280
405117	LMP.F-80-M16x100-TR	80	M16	100	18	7	3	70	2	12	8	12000	320
405118	LMP.F-80-M16x125-TR	80	M16	125	18	7	3	70	2	12	8	12000	360
405119	LMP.F-80-M16x150-TR	80	M16	150	18	7	3	70	2	12	8	12000	400
405120	LMP.F-80-M16x200-TR	80	M16	200	18	7	3	70	2	12	8	12000	481
405121	LMP.F-80-M20x75-TR	80	M20	75	19	7	3	70	2	15	10	16000	360
405122	LMP.F-80-M20x100-TR	80	M20	100	19	7	3	70	2	15	10	16000	400
405123	LMP.F-80-M20x125-TR	80	M20	125	19	7	3	70	2	15	10	16000	559
405124	LMP.F-80-M20x150-TR	80	M20	150	19	7	3	70	2	15	10	16000	400
405125	LMP.F-80-M20x200-TR	80	M20	200	19	7	3	70	2	15	10	16000	490
405126	LMP.F-80-M24x100-TR	80	M24	100	22	7	3	70	2	19	12	16000	560
405127	LMP.F-80-M24x125-TR	80	M24	125	22	7	3	70	2	19	12	16000	630
405128	LMP.F-80-M24x150-TR	80	M24	150	22	7	3	70	2	19	12	16000	700
405129	LMP.F-80-M24x200-TR	80	M24	200	22	7	3	70	2	19	12	16000	877

Levelling feet and supports

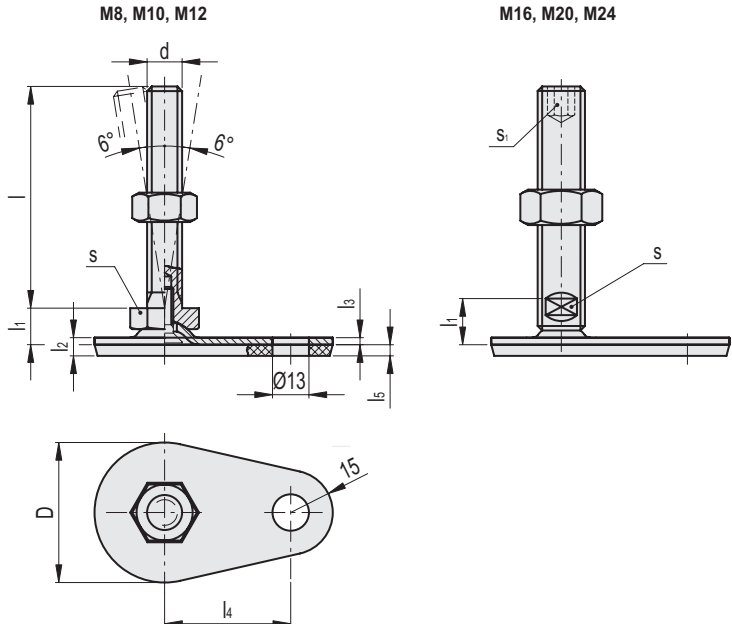


LMP.F-TV (d - l)

Code	Description	D	d	l	l1	l2	l3	l4	l5	s	s1	Max. limit static load [N]	⚖️
403703	LMP.F-50-M8x40-TV	50	M8	40	11	6.5	2.5	45	4	17	-	8000	61
403704	LMP.F-50-M8x50-TV	50	M8	50	11	6.5	2.5	45	4	17	-	8000	80
403705	LMP.F-50-M8x63-TV	50	M8	63	11	6.5	2.5	45	4	17	-	8000	90
403706	LMP.F-50-M10x50-TV	50	M10	50	11	6.5	2.5	45	4	17	-	8000	88
403707	LMP.F-50-M10x60-TV	50	M10	60	11	6.5	2.5	45	4	17	-	8000	94
403708	LMP.F-50-M10x80-TV	50	M10	80	11	6.5	2.5	45	4	17	-	8000	100
403709	LMP.F-50-M10x100-TV	50	M10	100	11	6.5	2.5	45	4	17	-	8000	110
403710	LMP.F-50-M12x60-TV	50	M12	60	11	6.5	2.5	45	4	17	-	8000	120
403711	LMP.F-50-M12x80-TV	50	M12	80	11	6.5	2.5	45	4	17	-	8000	130
403712	LMP.F-50-M12x100-TV	50	M12	100	11	6.5	2.5	45	4	17	-	8000	140
403713	LMP.F-50-M12x125-TV	50	M12	125	11	6.5	2.5	45	4	17	-	8000	160
403714	LMP.F-50-M16x75-TV	50	M16	75	17	6.5	2.5	45	4	12	8	8000	178
403715	LMP.F-50-M16x100-TV	50	M16	100	17	6.5	2.5	45	4	12	8	8000	220
403716	LMP.F-50-M16x125-TV	50	M16	125	17	6.5	2.5	45	4	12	8	8000	250
403717	LMP.F-50-M16x150-TV	50	M16	150	17	6.5	2.5	45	4	12	8	8000	280
403718	LMP.F-50-M16x200-TV	50	M16	200	17	6.5	2.5	45	4	12	8	8000	360
403724	LMP.F-60-M8x40-TV	60	M8	40	11	7	2.5	50	4.5	17	-	8000	80
403725	LMP.F-60-M8x50-TV	60	M8	50	11	7	2.5	50	4.5	17	-	8000	89
403726	LMP.F-60-M8x63-TV	60	M8	63	11	7	2.5	50	4.5	17	-	8000	104
403727	LMP.F-60-M10x50-TV	60	M10	50	11	7	2.5	50	4.5	17	-	10000	100
403728	LMP.F-60-M10x60-TV	60	M10	60	11	7	2.5	50	4.5	17	-	10000	110
403729	LMP.F-60-M10x80-TV	60	M10	80	11	7	2.5	50	4.5	17	-	10000	120
403730	LMP.F-60-M10x100-TV	60	M10	100	11	7	2.5	50	4.5	17	-	10000	130
403731	LMP.F-60-M12x60-TV	60	M12	60	11	7	2.5	50	4.5	17	-	10000	125
403732	LMP.F-60-M12x80-TV	60	M12	80	11	7	2.5	50	4.5	17	-	10000	143
403733	LMP.F-60-M12x100-TV	60	M12	100	11	7	2.5	50	4.5	17	-	10000	158
403734	LMP.F-60-M12x125-TV	60	M12	125	11	7	2.5	50	4.5	17	-	10000	180
403735	LMP.F-60-M16x75-TV	60	M16	75	17	7	2.5	50	4.5	12	8	10000	200
403736	LMP.F-60-M16x100-TV	60	M16	100	17	7	2.5	50	4.5	12	8	10000	220
403737	LMP.F-60-M16x125-TV	60	M16	125	17	7	2.5	50	4.5	12	8	10000	260
403738	LMP.F-60-M16x150-TV	60	M16	150	17	7	2.5	50	4.5	12	8	10000	300
403739	LMP.F-60-M16x200-TV	60	M16	200	17	7	2.5	50	4.5	12	8	10000	360



- 1
- 2
- 3
- 4
- 5
- 6
- 7
- 8
- 9
- 10
- 11
- 12
- 13
- 14
- 15
- 16
- 17
- 18



LMP.F-TV (d - l)

Code	Description	D	d	l	l1	l2	l3	l4	l5	s	s1	Max. limit static load [N]	⚖️
403744	LMP.F-80-M8x40-TV	80	M8	40	12	8	3	70	5	17	-	8000	156
403745	LMP.F-80-M8x50-TV	80	M8	50	12	8	3	70	5	17	-	8000	163
403746	LMP.F-80-M8x63-TV	80	M8	63	12	8	3	70	5	17	-	8000	180
403747	LMP.F-80-M10x50-TV	80	M10	50	12	8	3	70	5	17	-	10000	160
403748	LMP.F-80-M10x60-TV	80	M10	60	12	8	3	70	5	17	-	10000	184
403749	LMP.F-80-M10x80-TV	80	M10	80	12	8	3	70	5	17	-	10000	206
403750	LMP.F-80-M10x100-TV	80	M10	100	12	8	3	70	5	17	-	10000	230
403751	LMP.F-80-M12x60-TV	80	M12	60	12	8	3	70	5	17	-	12000	200
403752	LMP.F-80-M12x80-TV	80	M12	80	12	8	3	70	5	17	-	12000	220
403753	LMP.F-80-M12x100-TV	80	M12	100	12	8	3	70	5	17	-	12000	250
403754	LMP.F-80-M12x125-TV	80	M12	125	12	8	3	70	5	17	-	12000	290
403755	LMP.F-80-M16x75-TV	80	M16	75	18	8	3	70	5	12	8	12000	280
403756	LMP.F-80-M16x100-TV	80	M16	100	18	8	3	70	5	12	8	12000	320
403757	LMP.F-80-M16x125-TV	80	M16	125	18	8	3	70	5	12	8	12000	360
403758	LMP.F-80-M16x150-TV	80	M16	150	18	8	3	70	5	12	8	12000	400
403767	LMP.F-80-M16x200-TV	80	M16	200	18	8	3	70	5	12	8	12000	400
403759	LMP.F-80-M20x75-TV	80	M20	75	19	8	3	70	5	15	10	16000	360
403760	LMP.F-80-M20x100-TV	80	M20	100	19	8	3	70	5	15	10	16000	400
403761	LMP.F-80-M20x125-TV	80	M20	125	19	8	3	70	5	15	10	16000	559
403762	LMP.F-80-M20x150-TV	80	M20	150	19	8	3	70	5	15	10	16000	400
403768	LMP.F-80-M20x200-TV	80	M20	200	19	8	3	70	5	15	10	16000	660
403763	LMP.F-80-M24x100-TV	80	M24	100	22	8	3	70	5	19	12	16000	560
403764	LMP.F-80-M24x125-TV	80	M24	125	22	8	3	70	5	19	12	16000	630
403765	LMP.F-80-M24x150-TV	80	M24	150	22	8	3	70	5	19	12	16000	700
403766	LMP.F-80-M24x200-TV	80	M24	200	22	8	3	70	5	19	12	16000	897

Levelling feet and supports