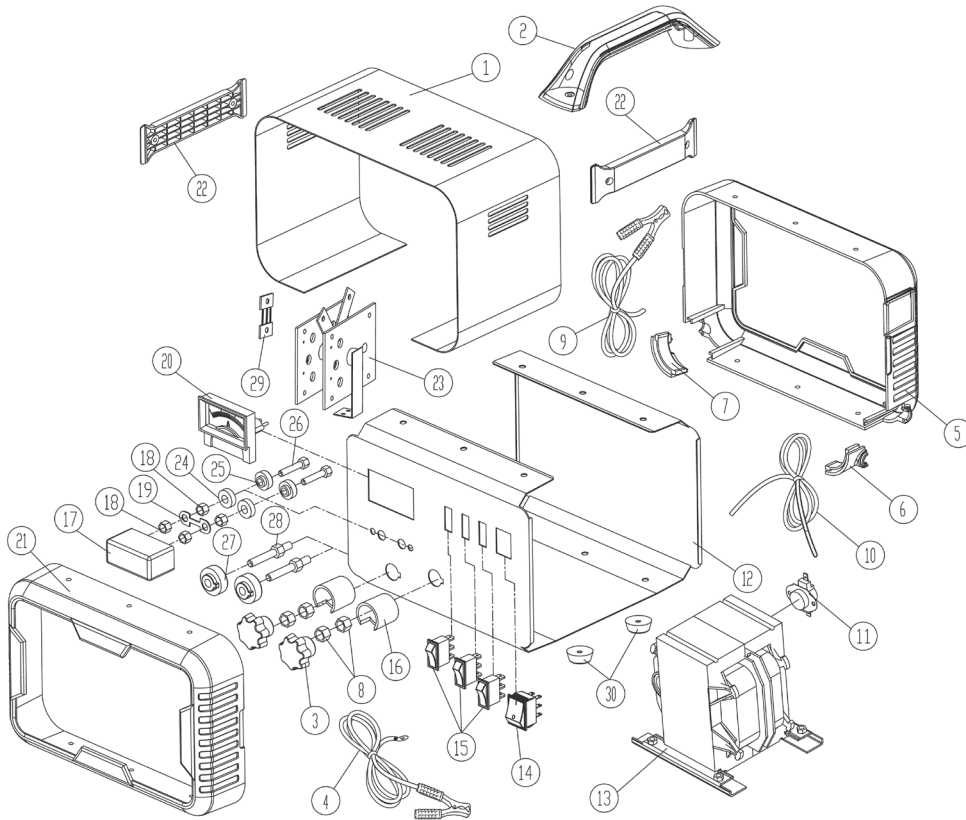




Parts Information:
Starter/Charger Various Amp 230V
Model No: SUPERBOOST SERIES



| Item | Part No. | Description |
|------|---------------|---|
| 1 | SBOOST200V401 | TOP COVER |
| 2 | SBOOST200V402 | HANDLE, TOP COVER |
| 3 | SBOOST200V403 | TERMINAL KNOB |
| 4 | SBOOST200V404 | POSITIVE CABLE WITH CLAMP |
| 5 | SBOOST200V405 | BACK COVER (PLASTIC) |
| 6 | SBOOST200V406 | CABLE PROTECTOR, LEFT |
| 7 | SBOOST200V407 | CABLE PROTECTOR, RIGHT |
| 8 | SN8.S | STEEL NUT M8 ZINC DIN934 (SINGLE) |
| 9 | SBOOST200V409 | NEGATIVE CABLE WITH CLAMP |
| 10 | SBOOST160V510 | POWER CORD (FOR SUPERBOOST140.V4 & SUPERBOOST160.V5 only) |
| 10 | SBOOST200V410 | POWER CORD (FOR SUPERBOOST180.V5 & SUPERBOOST200.V4 only) |
| 11 | SBOOST140V411 | THERMOSTAT (FOR SUPERBOOST140.V4 only) |
| 11 | SBOOST160V511 | THERMOSTAT (FOR SUPERBOOST160.V5 only) |
| 11 | SBOOST180V511 | THERMOSTAT (FOR SUPERBOOST180.V5 only) |
| 11 | SBOOST200V411 | THERMOSTAT (FOR SUPERBOOST200.V5 only) |
| 12 | SBOOST200V412 | BOTTOM PANEL |
| 13 | SBOOST140V413 | TRANSFORMER (FOR SUPERBOOST140.V4 only) |
| 13 | SBOOST160V513 | TRANSFORMER (FOR SUPERBOOST160.V4 only) |
| 13 | SBOOST180V513 | TRANSFORMER (FOR SUPERBOOST180.V5 only) |
| 13 | SBOOST200V413 | TRANSFORMER (FOR SUPERBOOST200.V4 only) |
| 14 | SBOOST200V414 | POWER SWITCH |

| Item | Part No. | Description |
|------|---------------|--|
| 15 | SBOOST200V415 | SELECTOR SWITCH |
| 16 | SBOOST200V416 | TERMINAL PROTECTION COVER |
| 17 | SBOOST200V417 | FUSE COVER |
| 18 | SN6.S | STEEL NUT M6 ZINC DIN934 (SINGLE) |
| 19 | SBOOST160V519 | FUSE 50A 6.5x30 (FOR SUPERBOOST140.V4 & SUPERBOOST160.V5 only) |
| 19 | SBOOST180V519 | FUSE 80A 6.5x30 (FOR SUPERBOOST180.V5 only) |
| 19 | SBOOST200V419 | FUSE 110A 6.5x30 (FOR SUPERBOOST200.V4 only) |
| 20 | SBOOST200V420 | AMMETER |
| 21 | SBOOST200V421 | FRONT COVER (PLASTIC) |
| 22 | SBOOST200V422 | SIDE GRIP |
| 23 | SBOOST160V523 | RECTIFIER (FOR SUPERBOOST140.V4 & SUPERBOOST160.V5 only) |
| 23 | SBOOST200V423 | RECTIFIER (FOR SUPERBOOST180.V5 & SUPERBOOST200.V4 only) |
| 24 | SBOOST200V424 | INSULATING WASHER (B) |
| 25 | SBOOST200V425 | INSULATING WASHER (A) |
| 26 | SBOOST200V426 | INSULATING BOLT |
| 27 | SBOOST200V427 | INSULATING PLATE |
| 28 | SBOOST200V428 | TERMINAL BOLT M8 |
| 29 | SBOOST200V429 | SHUNT |
| 30 | SBOOST200V430 | FOOT |

NOTE: It is our policy to continually improve products and as such we reserve the right to alter data, specifications and component parts without prior notice.

IMPORTANT: No liability is accepted for incorrect use of product.

WARRANTY: Guarantee is 12 months from purchase date, proof of which will be required for any claim.

Sealey Group, Kempson Way, Suffolk Business Park, Bury St Edmunds, Suffolk. IP32 7AR



01284 757500



01284 703534



sales@sealey.co.uk



www.sealey.co.uk