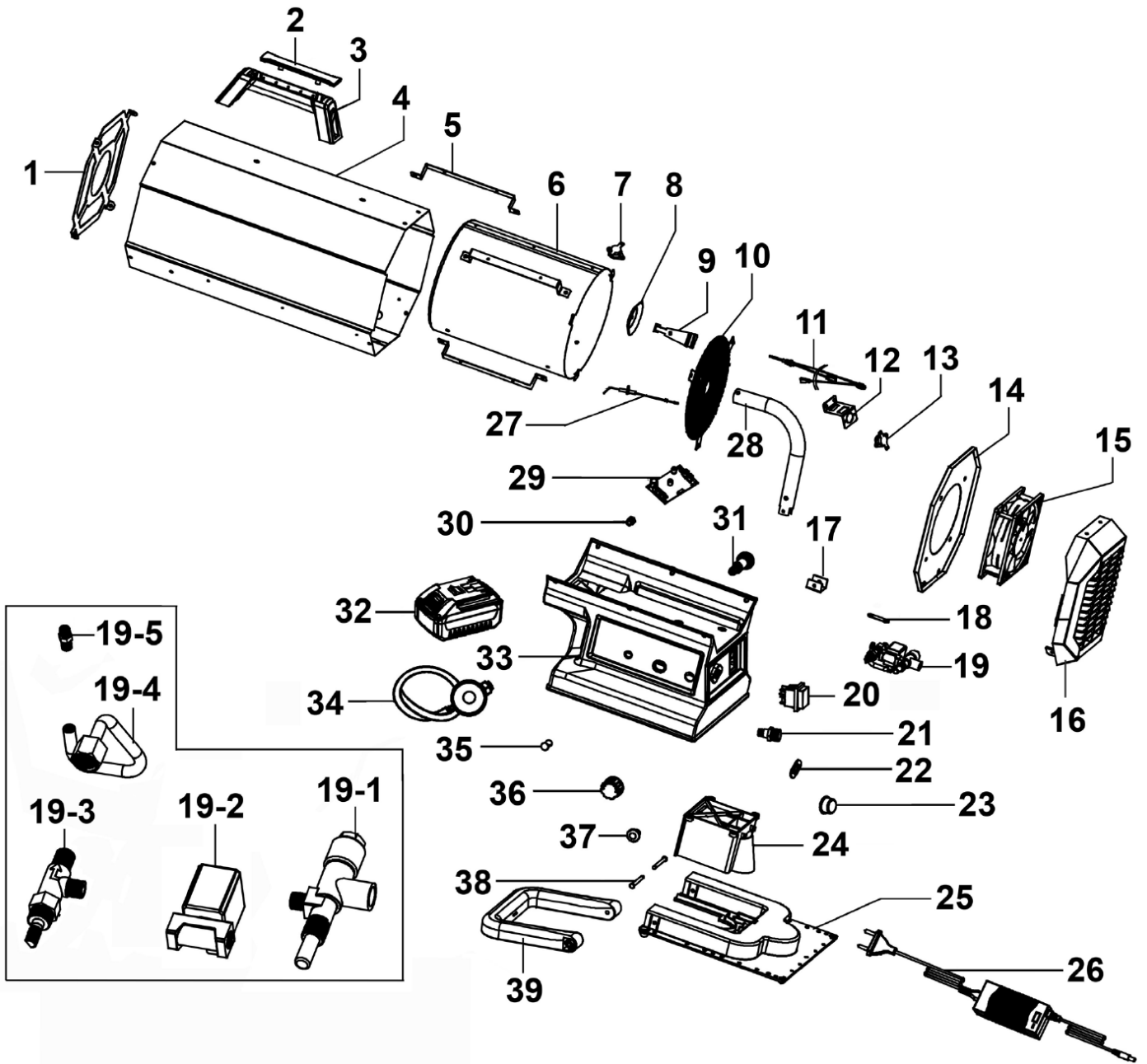




Parts Information:
2-in-1 Cordless/Corded Space Warmer®
Propane Heater 30,000-68,000Btu/hr (9-20kW)
Model No: LP69C



Item	Part No.	Description
1	LP69C.01	Front Grill
2	LP69C.02	Handle Cover
3	LP69C.03	Handle Cover
4	LP69C.04	Outer Casing
5	LP69C.05	Heat Insulation Support
6	LP69C.06	Inner Casing
7	LP69C.07	Thermal Cut-Out 65deg

Item	Part No.	Description
8	LP69C.08	Flame Support
9	LP69C.09	Air Inlet Pipe Bracket
10	LP69C.10	Burner Disc
11	LP69C.11	Thermocouple
12	LP69C.12	Thermocouple Bracket
13	LP69C.13	Thermal Cut-Out 75deg

NOTE: It is our policy to continually improve products and as such we reserve the right to alter data, specifications and component parts without prior notice. There may be alternative versions of this product, please contact us should you require this information.

IMPORTANT: No liability is accepted for incorrect use of product. Spare parts must be fitted by a competent person

WARRANTY: Guarantee is 12 months from purchase date, proof of which will be required for any claim.

Sealey Group, Kempson Way, Suffolk Business Park, Bury St Edmunds, Suffolk. IP32 7AR



01284 757500



01284 703534



sales@sealey.co.uk



www.sealey.co.uk



Parts Information:
**2-in-1 Cordless/Corded Space Warmer®
Propane Heater 30,000-68,000Btu/hr (9-
20kW)
Model No: LP69C**

Item	Part No.	Description
14	LP69C.14	Motor Mounting Plate
15	LP69C.15	Motor
16	LP69C.16	Rear Grill
17	LP69C.17	Bracket
18	LP69C.18	Release Valve Plate
19	LP69C.19	Valve Assembly
19-1	LP69C.19-1	Gas Valve
19-2	LP69C.19-2	Solenoid Valve
19-3	LP69C.19-3	Control Valve
19-4	LP69C.19-4	Gas Pipe
19-5	LP69C.19-5	Gas Nozzle
20	LP69C.20	Switch 250VAC
21	LP69C.21	Inlet Connector
22	LP69C.22	Fixed Panel for Inlet Nut
23	LP69C.23	Protection Cap
24	LP69C.24	Battery Mounting Base
25	LP69C.25	Base Cover

Item	Part No.	Description
26	CP20VMC	Battery Charger 20V Lithium-ion for SV20 Series
27	LP69C.27	Ignition Needle
28	LP69C.28	Intake Pipe
29	LP69C.29	PCB
30	LP69C.30	Charger Socket
31	LP69C.31	Ignitor
32	CP20VBP4	Power Tool Battery 20V 4Ah Lithium-ion for SV20 Series
32	CP20VBP6	Power Tool Battery 20V 6Ah Lithium-ion for SV20 Series
33	LP69C.33	Base
34	LP69C.34	Regulator 700mbar
35	LP69C.35	Indicator Cover
36	LP69C.36	Adjusting Knob
37	LP69C.37	Valve Adjuster
38	LP69C.38	Axle
39	LP69C.39	Base Bracket

NOTE: It is our policy to continually improve products and as such we reserve the right to alter data, specifications and component parts without prior notice. There may be alternative versions of this product, please contact us should you require this information.

IMPORTANT: No liability is accepted for incorrect use of product. Spare parts must be fitted by a competent person

WARRANTY: Guarantee is 12 months from purchase date, proof of which will be required for any claim.

Sealey Group, Kempson Way, Suffolk Business Park, Bury St Edmunds, Suffolk. IP32 7AR



01284 757500



01284 703534



sales@sealey.co.uk



www.sealey.co.uk