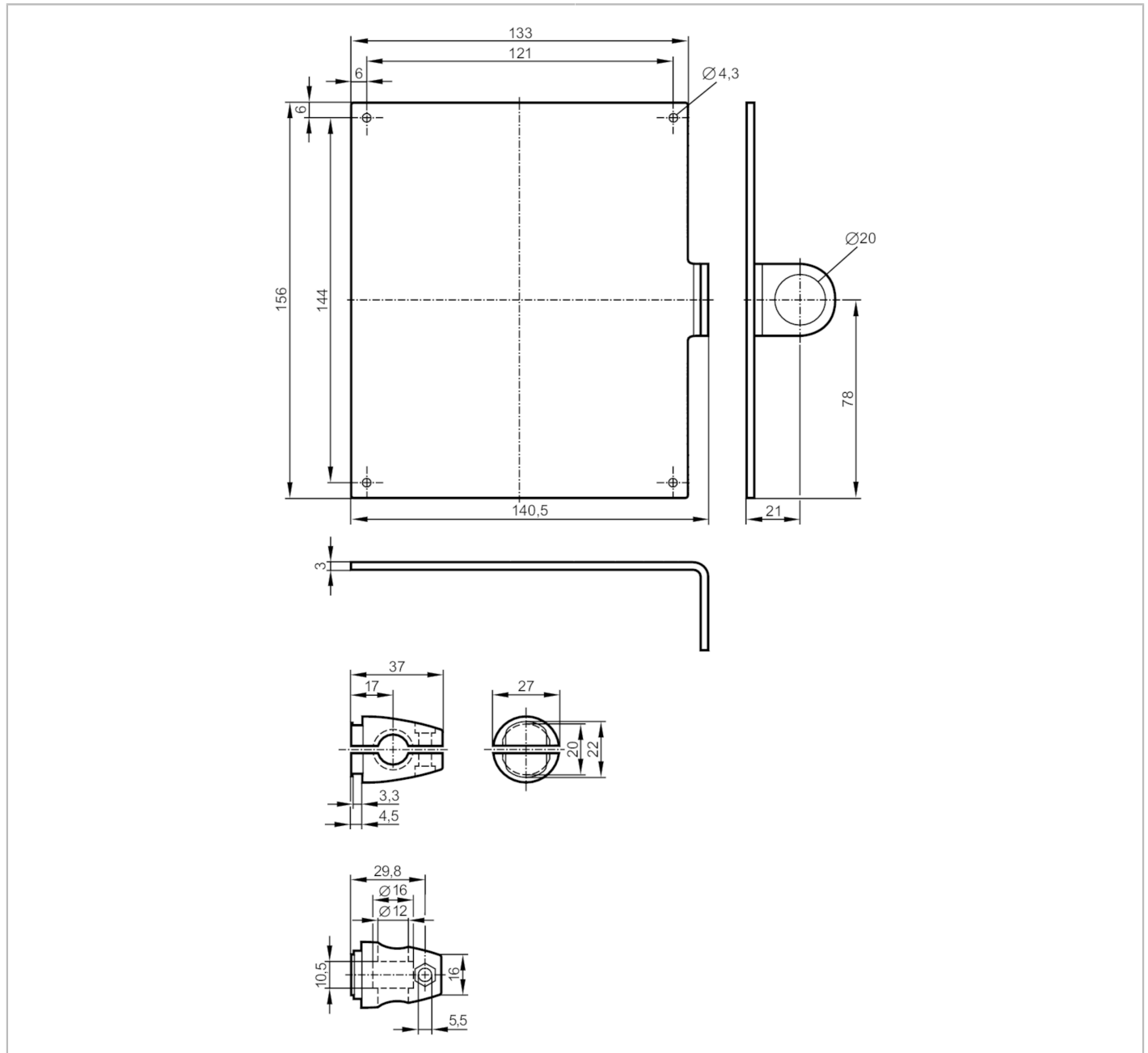


E2D109



Mounting set for illumination unit

MOUNTING SET BACKLIGHT 100X100



Application	
Design	clamp mounting
Mechanical data	
Weight	[g] 631
Materials	Mounting plate: stainless steel (1.4305 / 303); Clamp: stainless steel
Remarks	
Pack quantity	1 pcs.