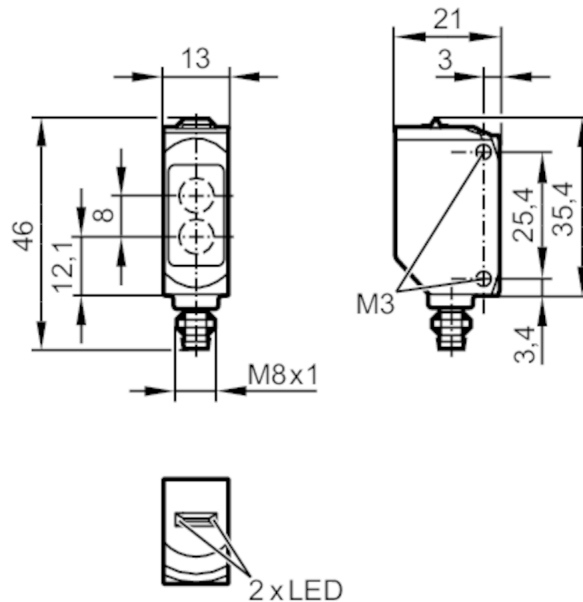


O6H213



Diffuse reflection sensor with background suppression

O6H-HNKG/AS/4P



receiver in upper lens
transmitter in lower lens



Product characteristics

Type of light	red light
Housing	rectangular
Dimensions [mm]	46 x 13 x 21

Application

Special feature	Background suppression
Function principle	Diffuse reflection sensor

Electrical data

Operating voltage [V]	10...30 DC
Current consumption [mA]	22; ((24 V))
Protection class	III
Reverse polarity protection	yes
Type of light	red light
Wave length [nm]	633

O6H213



Diffuse reflection sensor with background suppression

O6H-HNKG/AS/4P

Outputs		
Electrical design		NPN
Output function		light-on mode
Max. voltage drop switching output DC	[V]	2.5
Permanent current rating of switching output DC	[mA]	100
Switching frequency DC	[Hz]	1000
Short-circuit protection		yes
Type of short-circuit protection		pulsed
Detection zone		
Range	[mm]	< 100; (white paper 200 x 200 mm)
Range on white object (90 % remission)	[mm]	< 100
Range on grey object (18 % remission)	[mm]	4...100
Range on black object (6 % remission)	[mm]	8...100
Max. light spot diameter	[mm]	6
Light spot dimensions refer to		at maximum range
Background suppression available		yes
Operating conditions		
Ambient temperature	[°C]	-25...60
Protection		IP 65; IP 67
Tests / approvals		
EMC		EN 60947-5-2
MTTF	[years]	1113
UL approval		UL Approval no. E001
Mechanical data		
Weight	[g]	13.1
Housing		rectangular
Dimensions	[mm]	46 x 13 x 21
Materials		housing: ABS; PPSU; connector thread: brass coated; Sealing: EPDM
Lens material		PMMA
Lens alignment		side lens
Material nut		brass, coated
Tightening torque	[Nm]	0.5
Displays / operating elements		
Display	switching status	1 x LED, yellow
	operation	1 x LED, green
Remarks		
Remarks		operating voltage "supply class 2" according to cULus
Pack quantity		1 pcs.

O6H213



Diffuse reflection sensor with background suppression

O6H-HNKG/AS/4P

Electrical connection

Connector: 1 x M8; Locking: brass, coated



Connection

