

**M12 female 0° shielded with cable**

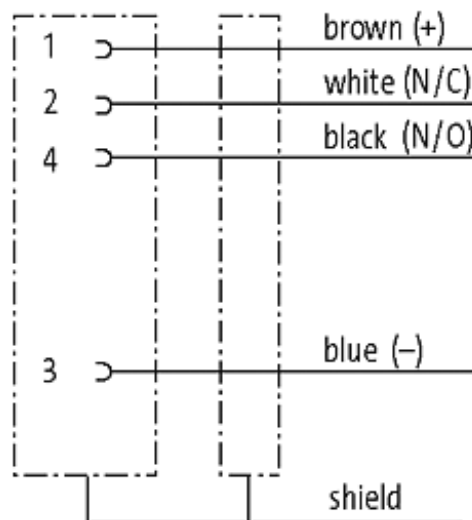
PUR 4x0.34 shielded bk UL/CSA+drag chain 1,5m

M12

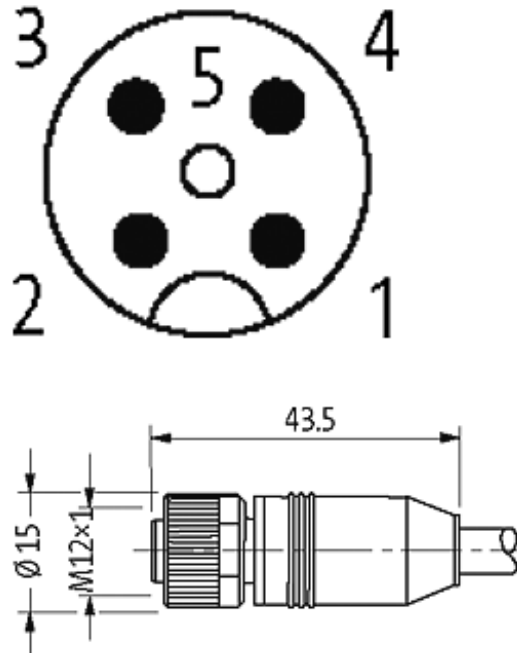
Female straight

4-pole, shielded

Plastic housings with good resistance against chemicals and oils. The resistance to aggressive media should be individually tested for your application. Further details on request. Further cable lengths on request.

**[Link to Product](#)****Illustration**

# Female



Product may differ from Image

## Approvals



## Form

13201

## Technical Data

|                               |   |
|-------------------------------|---|
| Operating voltage             | max. 60 V AC/DC   |
| Operating current per contact | max. 4 A  |
| Locking of ports              | Screw thread M12 × 1 mm (recommended torque 0.6 Nm) self-securing |
| Protection                    | IP67 inserted and tightened (EN 60529)                            |

## Cables

|                             |                          |
|-----------------------------|--------------------------|
| Cable number                | 641                      |
| No./diameter of wires       | 4 × 0.34 mm <sup>2</sup> |
| Wire isolation              | PP (br, wh, bl, bk)      |
| C-track properties          | 5 Mio.                   |
| Torsion                     | 2 Mio. ± 30°/m           |
| Jacket Color                | black                    |
| Shore hardness outer jacket | 90 ± 5A                  |

The information in this brochure has been compiled with the utmost care.

Liability for the correctness completeness and topicality of the information is restricted to gross negligence. Version: 05/15

|                            |                |
|----------------------------|----------------|
| Material (jacket)          | PUR (UL/CSA)   |
| Outer diameter             | approx. 5.3 mm |
| Bend radius (fixed)        | 5 × outer Ø    |
| Bend radius (moving)       | 10 × outer Ø   |
| Temperature range (fixed)  | -40...+80 °C   |
| Temperature range (mobile) | -25...+80 °C   |
| Shielded                   | yes            |

**Commercial data**

|                        |          |
|------------------------|----------|
| country of origin      | DE       |
| customs tariff number  | 85444290 |
| minimum order quantity | 1        |