

SVS VALVE PLUG FORM A 18MM FIELD-WIREABLE

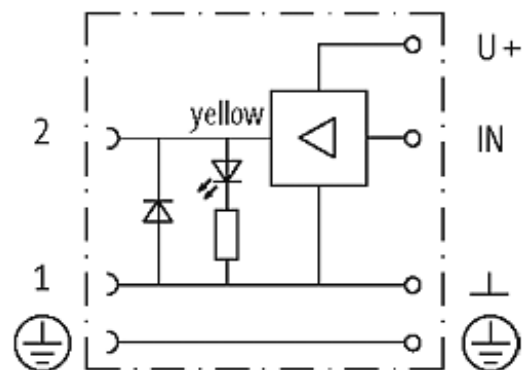
12...30V DC LED M16x1.5 Power Switch

Form A (18 mm)
24 V DC
LED and switching amplifier
metric

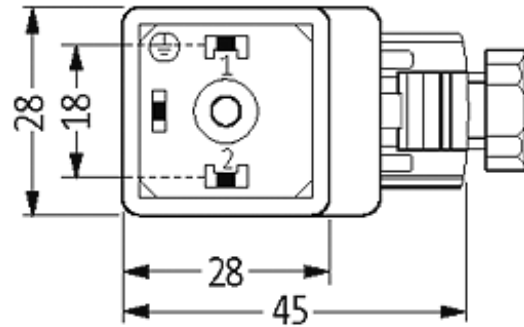
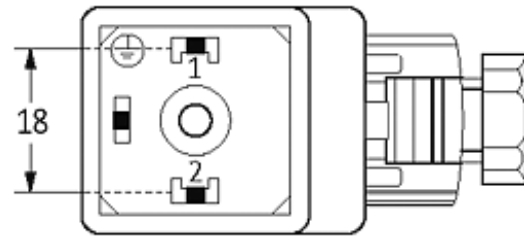
Plastic housings with good resistance against chemicals and oils. The resistance to aggressive media should be individually tested for your application. Further details on request.

[Link to Product](#)

Illustration



stay connected



Height: 41 mm

Product may differ from Image

Approvals



Form

29481

Technical Data

Operating voltage	24 V AC/DC $\pm 25\%$
Control voltage	ON: 10...30 V DC; OFF: 0...6 V DC (IN)
Operating current per contact	max. 2 A (short-circuit protected)
Switch off peak	max. 46 V
Sealing range (cable diameter)	5...10 mm
Locking of ports	M3 (recommended torque 0.4 Nm)
Compression gland	M16 \times 1.5 mm
Protection	IP65 inserted and tightened (EN 60529), with gland

General data

Temperature range	-20...+60 °C
-------------------	--------------

Commercial data

country of origin	CZ
customs tariff number	85369010
minimum order quantity	1