



SITOR FUSE DISCONNECTOR WITH ALARM SWITCH

| Model | | |
|-------------------------------------------------------------------|----|---------|
| product brand name | | SENTRON |
| Design of the operating mechanism | | others |
| General technical data | | |
| Number of poles | | 1 |
| Size of fuse link | | Other |
| Protection class | | |
| Protection class IP / on the front | | Other |
| Electricity | | |
| Continuous current / Rated value | A | 100 |
| Main circuit | | |
| Operating voltage / with AC / Rated value / maximum | V | 690 |
| Suitability | | |
| Suitability for use | | |
| • Main switch | | No |
| • switch disconnecter | | Yes |
| • EMERGENCY OFF switch | | No |
| • safety switch | | Yes |
| Product function | | |
| Product function / fuse monitoring | | No |
| Short circuit | | |
| Conditional short-circuit current (I _q) / Rated value | kA | 100 |

Connections

Type of electrical connection / for main current circuit screw-type terminals

Mechanical Design

Height mm 70

Depth mm 143

Mounting type

- floor mounting No
- front mounting Yes
- rail mounting No

General Product Approval

Declaration of Conformity



CCC



CSA



GOST



UL



EG-Konf.

Further information

Information- and Downloadcenter (Catalogs, Brochures,...)

<http://www.siemens.com/lowvoltage/catalogs>

Industry Mall (Online ordering system)

<https://eb.automation.siemens.com/mall/en/WW/Catalog/Product/3NC22915>

Service&Support (Manuals, Certificates, Characteristics, FAQs,...)

<http://support.automation.siemens.com/WW/view/en/3NC22915/all>

Image database (product images, 2D dimension drawings, 3D models, device circuit diagrams, ...)

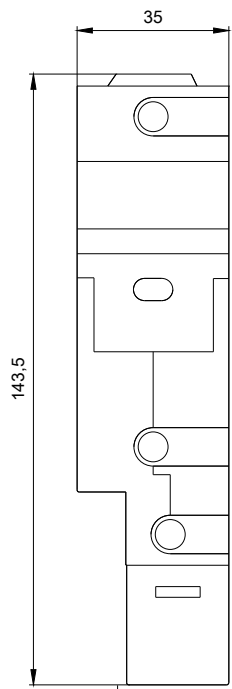
http://www.automation.siemens.com/bilddb/cax_en.aspx?mfb=3NC22915

CAX-Online-Generator

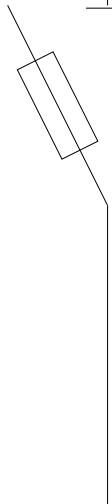
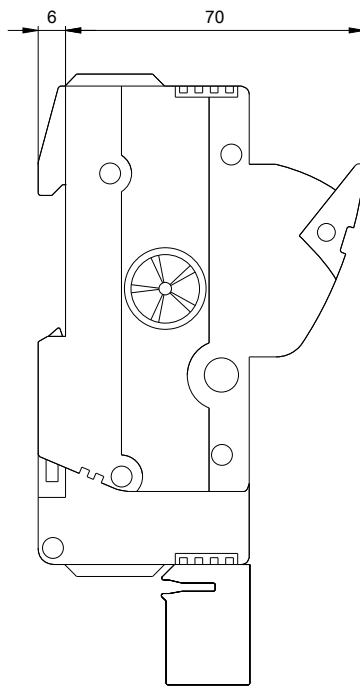
<http://www.siemens.com/cax>

Tender specifications

<http://ausschreibungstexte.siemens.com/tiplv>



2



1

last modified:

11.03.2015