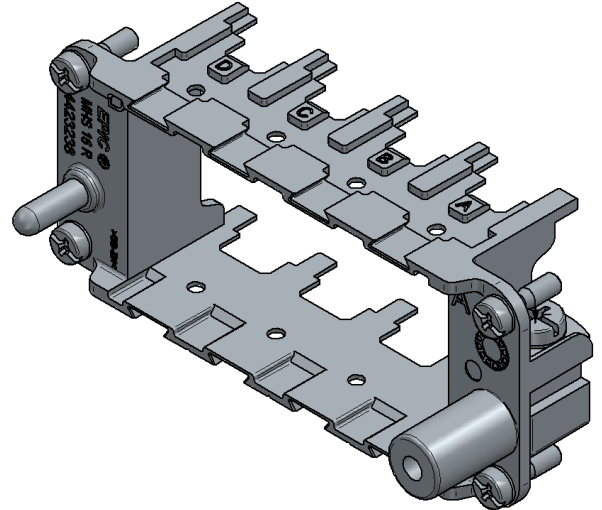


<b>DATA SHEET</b>	44423238
<b>EPIC® MHS 16 R Multi-frame</b>	Valid from: 24.05.2017

## Description

- Multi- frame for recording own and third-party modules
- EPIC® MH system is pluggable with the market standard
- The mixing of various functions in one connector ensures a high degree of flexibility
- PE Connection from 1mm<sup>2</sup> to 6mm<sup>2</sup> with wire end ferrule, 10mm<sup>2</sup> with adapter
- Use for railway applications -Brand protection in rail vehicles: test according to EN 45545-2. Requirement sentences R22 and R23. Hazard levels HL1, HL2 and HL3



## General Characteristics

Product description	EPIC® MHS 16 R (A, B, C, D)
Series	MH Multi-frame
Version	Male
Number of Modules	4

## Surfaces

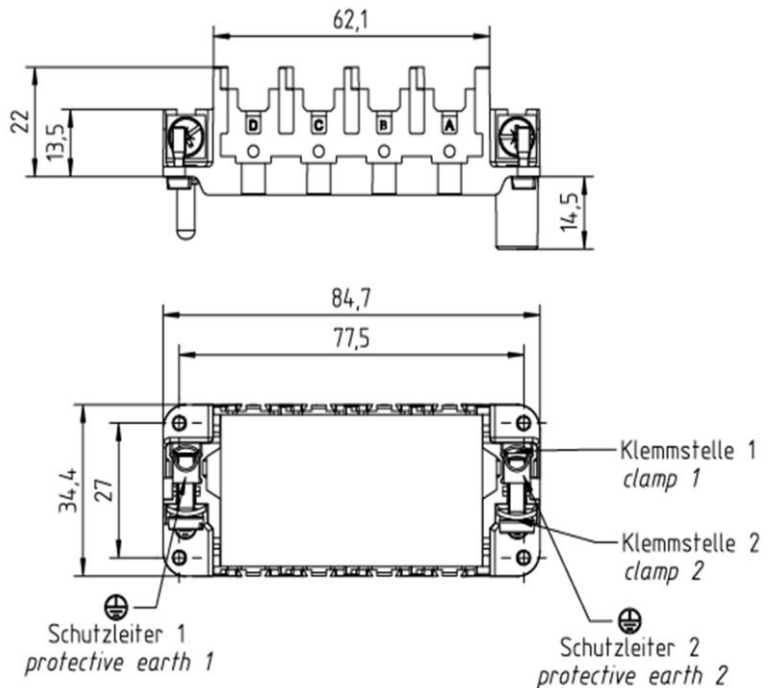
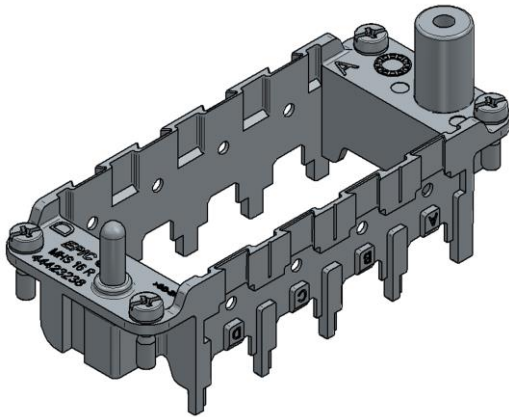
Frame	Zinc die casting alloy
-------	------------------------

## Standard

Certificated	IEC 61984
--------------	-----------

<b>DATA SHEET</b>	44423238
<b>EPIC® MHS 16 R Multi-frame</b>	Valid from: 24.05.2017

## Technical Drawing



Automation



Industrial machinery and plant engineering



Wind Energy

## Info

Frame system for modules  
Various functions can be used together in one connector

## Product features

The MCR "male" frame version is designed for use with modules with male contacts; the "female" version is designed for use with modules with female contacts. The high design is to be used for sleeve housings

## Remark

Photographs are not to scale and do not represent detailed images of the respective products.

Creator: ERTC1/PDP Released: IVSE1/PDP	Document: DB44423238EN Version: 00	Page <b>2</b> of <b>2</b>
---	---------------------------------------	---------------------------