

PCT 081610



Sample image

Order symbol: PCT 081610

Product nbr: 7022641

UL Code: 7032641

UL Name: UL PCT 081610

Description: Enclosure. PC

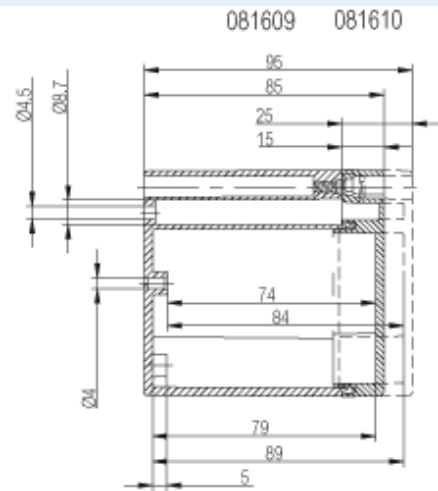
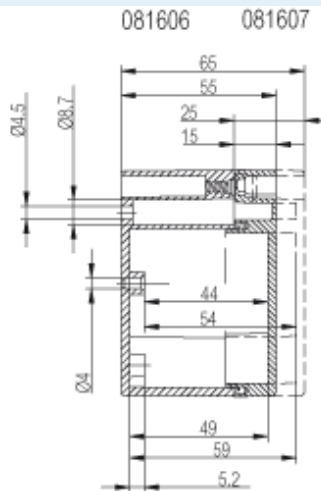
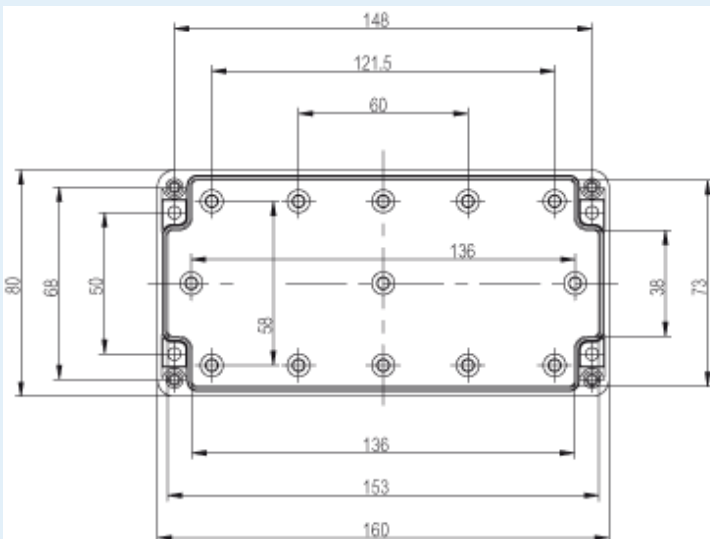
Remarks: Clear transparent cover

EAN: 6418074003768

El. number:

- Finland: 3423532
- Denmark: 8212002717
- Sweden:

Including: Base with screws for mounting plate/DIN-rail. cover with PUR gasket and stainless steel cover screws.



Dimensions:	Height	Width	Depth
mm:	80	160	95
inch:	3.15	6.3	3.74

Materials:

Material:	Polycarbonate
Base colour:	RAL 7035 -light grey
Cover colour:	Clear transparent
Gasket material:	Polyurethane

Accessories:

TF 28037	Mounting foot kit (4 pcs). for enclosures:
TRH 1216	DIN-15 Mounting rail. for enclosures: (146 x 35 x 1)
TRM 0816	DIN-15 Mounting rail. for enclosures: (146 x 15 x 1)
TM 0816	Back Panel. for enclosures: (71 x 134 x 1)
TH A	Gray plastic hinges (2 pcs)
TRM 0808	DIN-15 Mounting rail. for enclosures: (68 x 15 x 1)

Temperatures:

Temperature °C (short term)::	-40 ... 120
Temperature °C (continuous):	-40 ... 80
Temperature °F (short term):	-40 ... 250
Temperature °F (continuous):	-40 ... 175

Rating:

Ingress protection (EN 60529):	IP66; IP67;
Impact Resistance (EN 62262):	IK07; IK08;
Electrical insulation:	Totally insulated
Halogen free (DIN/VDE 0472, Part 815):	1
UV resistance:	UL 508
Flammability Rating:	UL 746C 5"
Glow Wire Test (IEC 695-2-1) °C:	960 °C
NEMA Class	

Certificates:

SGSFimko_EURONORD