

Features

- Universal Input 100-240VAC
- Approved to UKCA, cULus, TUV, CE, RoHS
- IEC/EN 62368-1 Safety Approved
- Meets Efficiency Level VI
- FCC Class B Certified
- Single Output 5~24V DC
- OVP, OCP, OTP, SCP



Ideal Power's 25HK-AP-xAz-CP-3A 6W AC/DC External Adapter Interchangeable Power Supply (PSU) Series are certified to UKCA, cULus, TUV, CE, RoHS & EN 62368-1/IEC 62368-1/UL 62368-1 Standards and comply with (EU) 2019/1782, Level VI Efficiency Regulations. These are primarily used in ITE, Audio & Video Industries and customised solutions are available upon request.

Models

Model Number	Output Voltage	Output Current	Output Power	Efficiency %
25HK-AP-050A120-CP-3A	5 V DC	1.2A	6W	75
25HK-AP-060A100-CP-3A	6V DC	1A	6W	78.88
25HK-AP-090A067-CP-3A	9 V DC	0.67A	6W	78.91
25HK-AP-120A050-CP-3A	12 V DC	0.50A	6W	78.88
25HK-AP-150A040-CP-3A	15 V DC	0.40A	6W	78.88
25HK-AP-240A025-CP-3A	24 V DC	0.25A	6W	78.88

General Specifications

Type	Switched Mode Power Supply
Plug Type	Australia, European Plug, UK, US
Output Connector	2.1mm x 5.5mm x 12mm Centre Positive
Input Connector	Universal Plug
Number Of Outputs	1
Regulated/Unregulated	Regulated
Efficiency	Up to 78.88
Energy Efficiency Level	VI
Applications	Peripheral equipment, Networking equipment, Portable equipment, Telecommunications equipment

Output Data

Output Voltage	5 ~24 V DC
Input Voltage Range	100 ~ 240V AC \pm 10%
Output Regulation	4.75-5.25V
Power Rating	6W
Load Regulation	\pm 5%
Dielectric Withstand	AC 3000 Vrms ,4mA,1minute for type test, 2 second for production test
Input Frequency	47H - 63Hz
Hold-up time	10ms Min at 110VAC full load
Inrush Current	60A Max
No Load Power Consumption	0.1W Max
Ripple and Noise	300mV Max @20MHz bandwidth with 10UF/50V capacitance and 104/50V ceramic capacitor
MTBF	50,000 hours at 25 centigrade degrees
Line Regulation	\pm 2% maximum
Short Circuit	Yes

Mechanical Specifications

Cable Length	6ft Minimum AWG#22
Width	38mm
Length	64.5mm
Depth	34.8mm

Operation Environment Specifications

Operation Temperature	0°C ~ 40°C
Storage Temperature	-20°C ~ +70°C
Humidity	10% ~ 95%

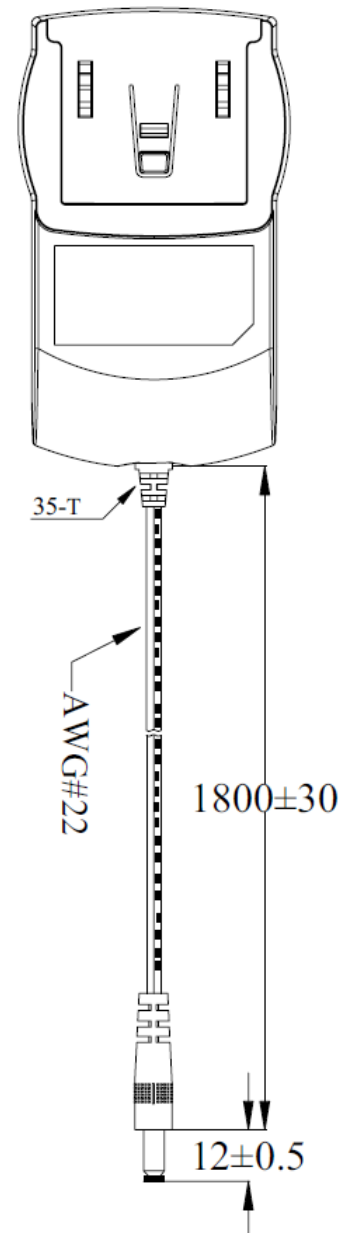
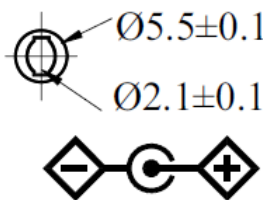
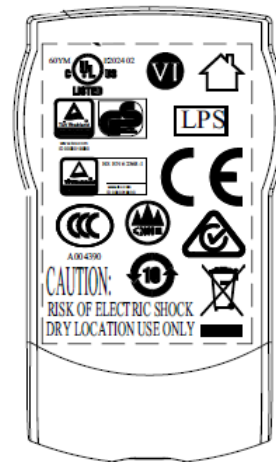
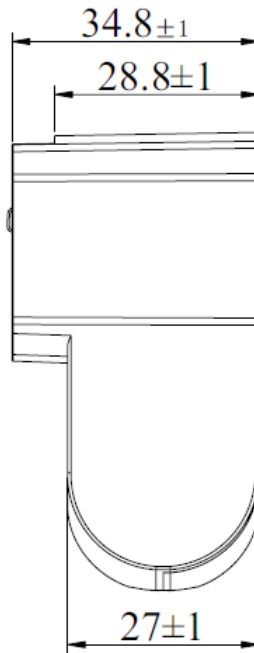
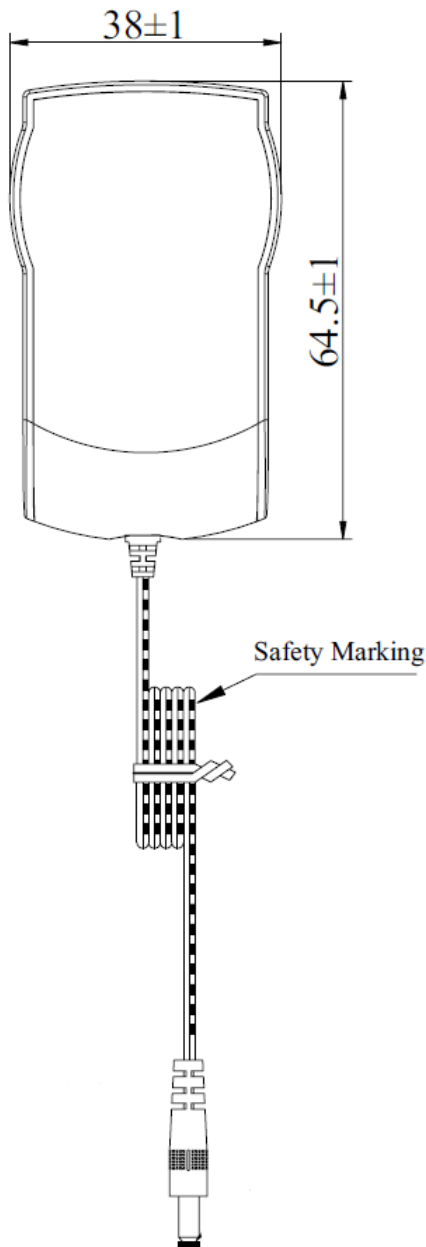
Approvals

Standards Met	AS/NZS 60950.1, BS EN 60950-1, CB, CE, CSA C22.2 No. 60950-1-07, cUL, EN 60950-1, ErP III (Level VI) Efficiency Compliant, FCC, J60950-1, SAA, TUV, UL, UL 60950-1
Compliance/Certifications	UKCA, cULus, TUV, CE, RoHS

Mechanical Drawing

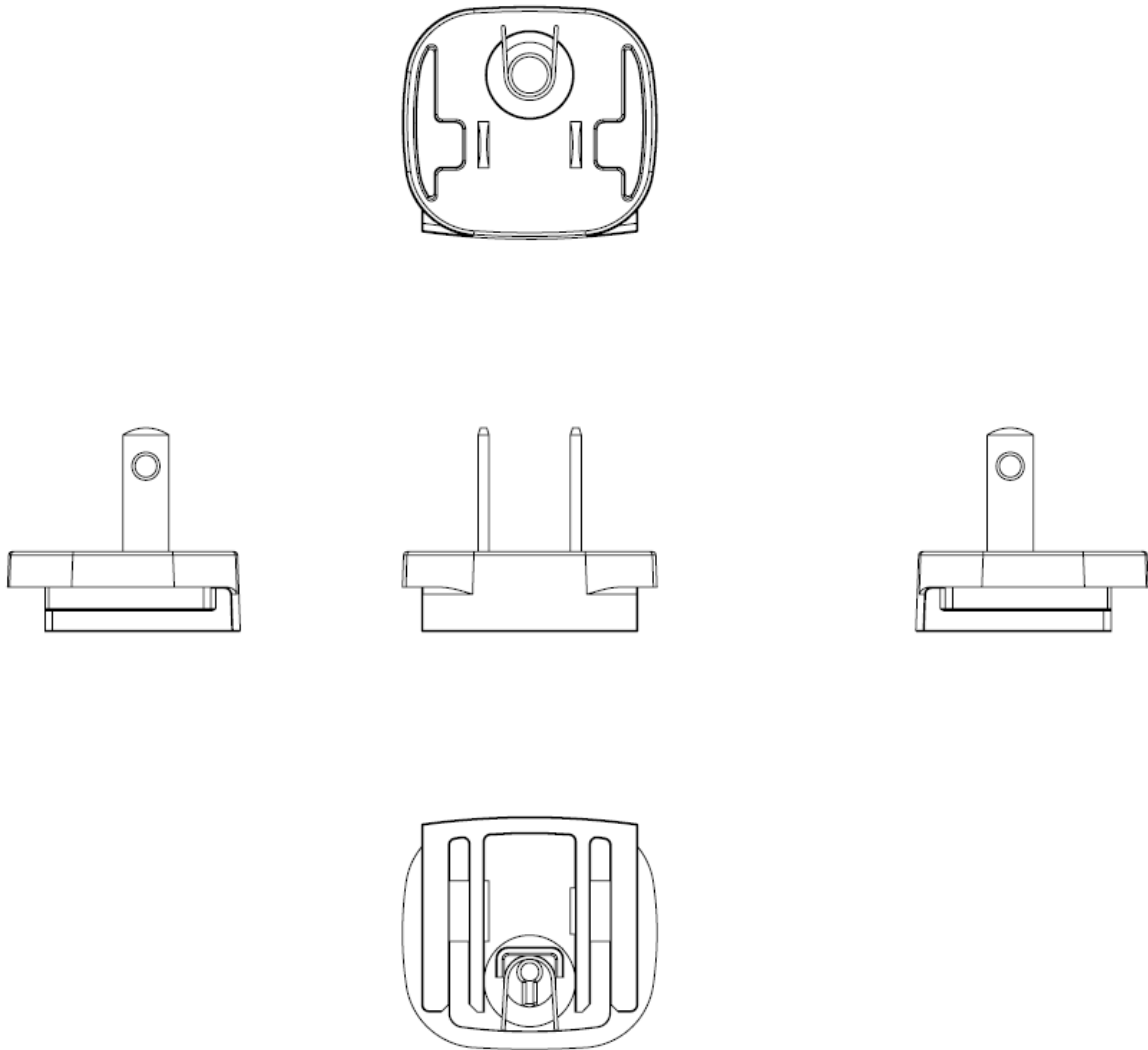
OVERALL DRAWING

UNIT: mm
COLOR: BLACK



AC - DC

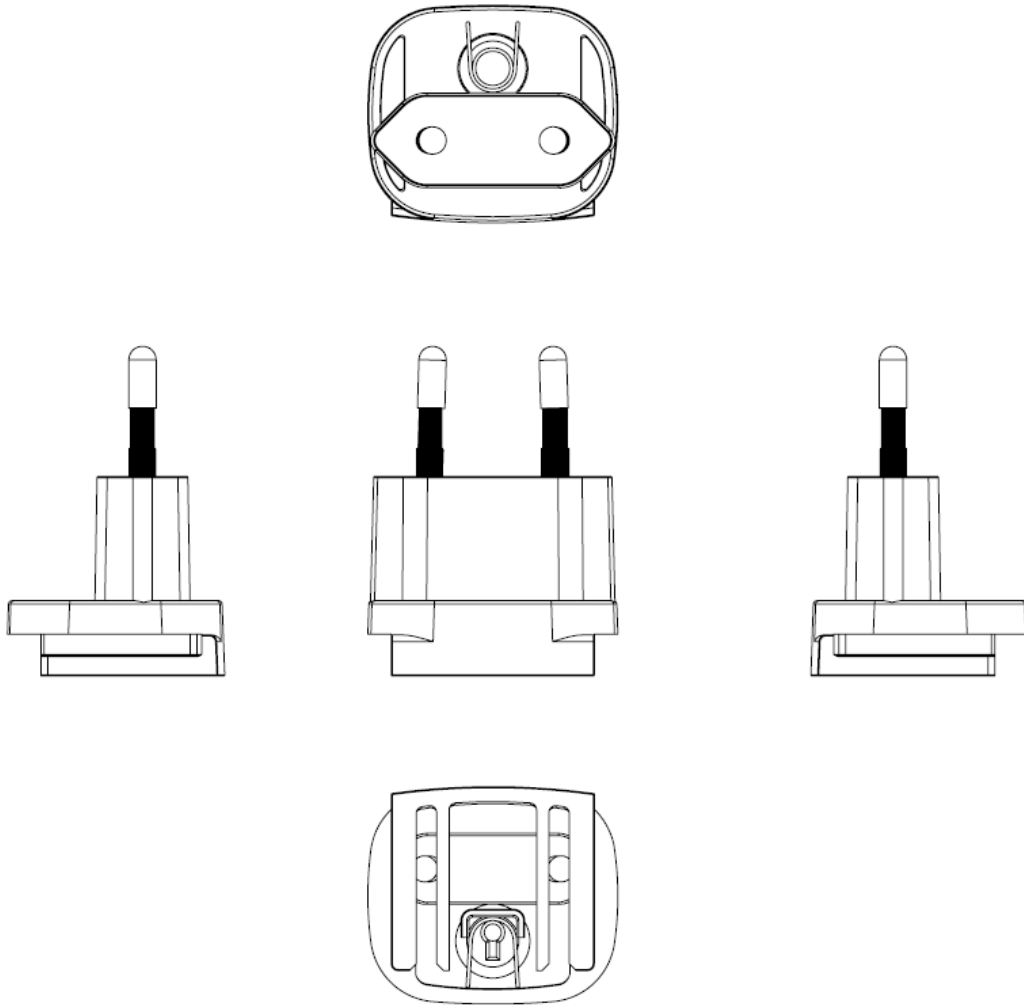
Mechanical Drawing (continued)



UL

AC – DC

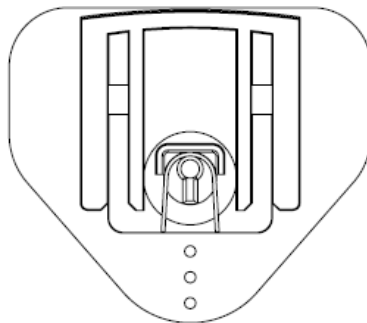
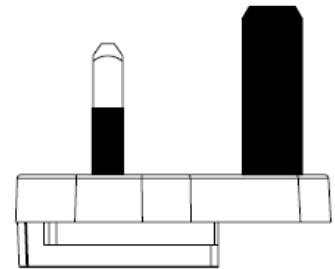
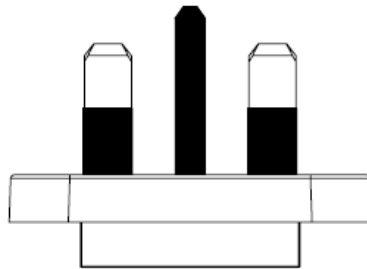
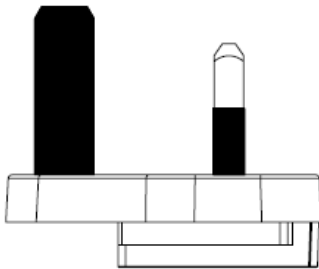
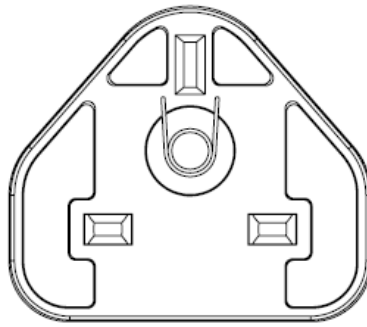
Mechanical Drawing (Continued)



TUV

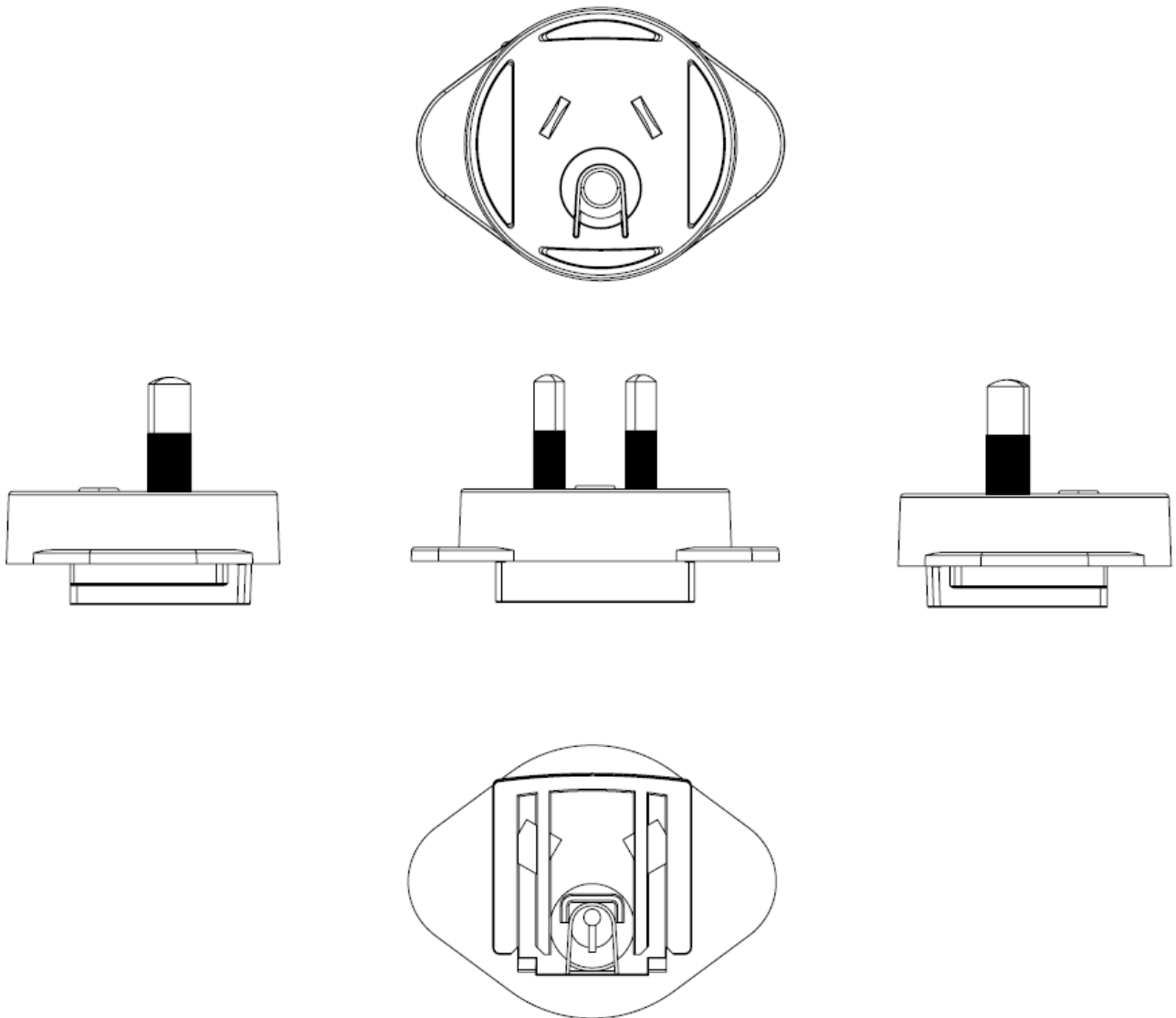
Mechanical Drawing (Continued)

AC – DC



UK

Mechanical Drawing (Continued)



SAA

AC – DC

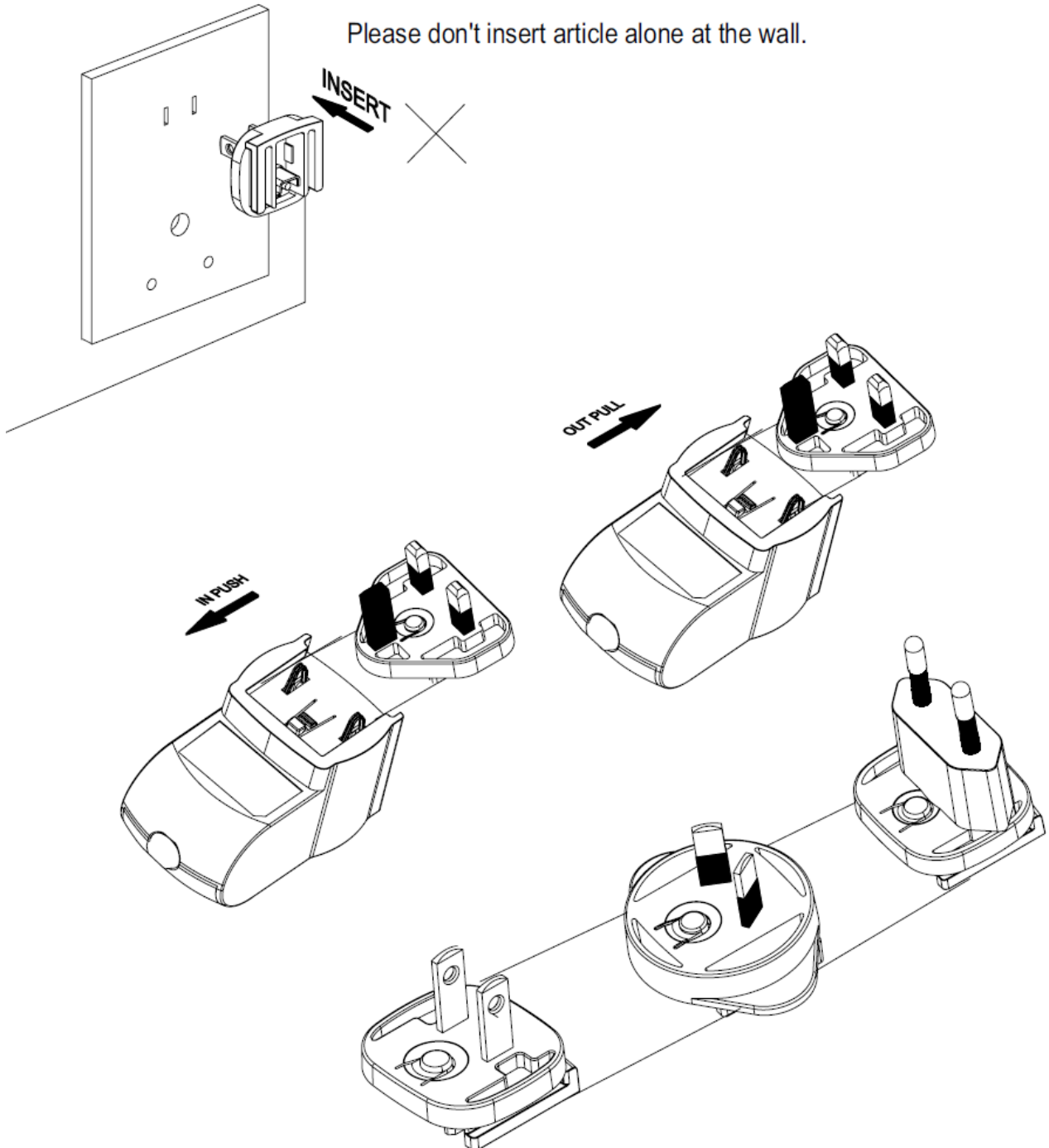
Mechanical Drawing (Continued)

USE SPECIFICATION

UNIT: mm

WARNING!

Please don't insert article alone at the wall.



AC - DC

Packaging

1 Inner Box

UNIT: mm

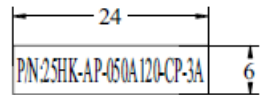
■ BOX (■ Normal BOX □ Corrugated BOX)

Length: 82

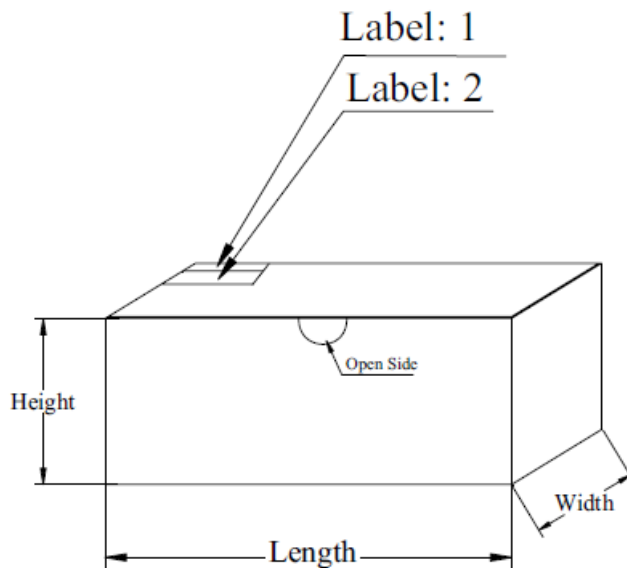
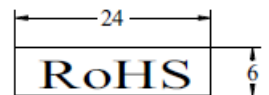
Width: 85

Height: 55

Label: 1



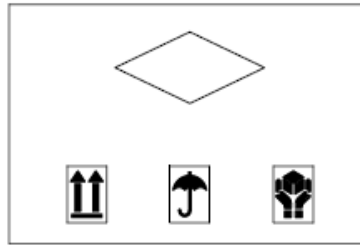
Label: 2



Packaging (continued)

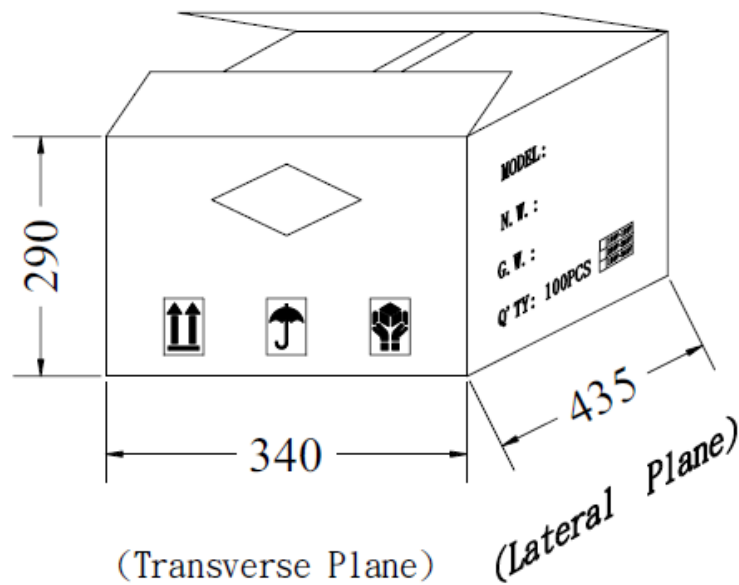
Carton

UNIT: mm

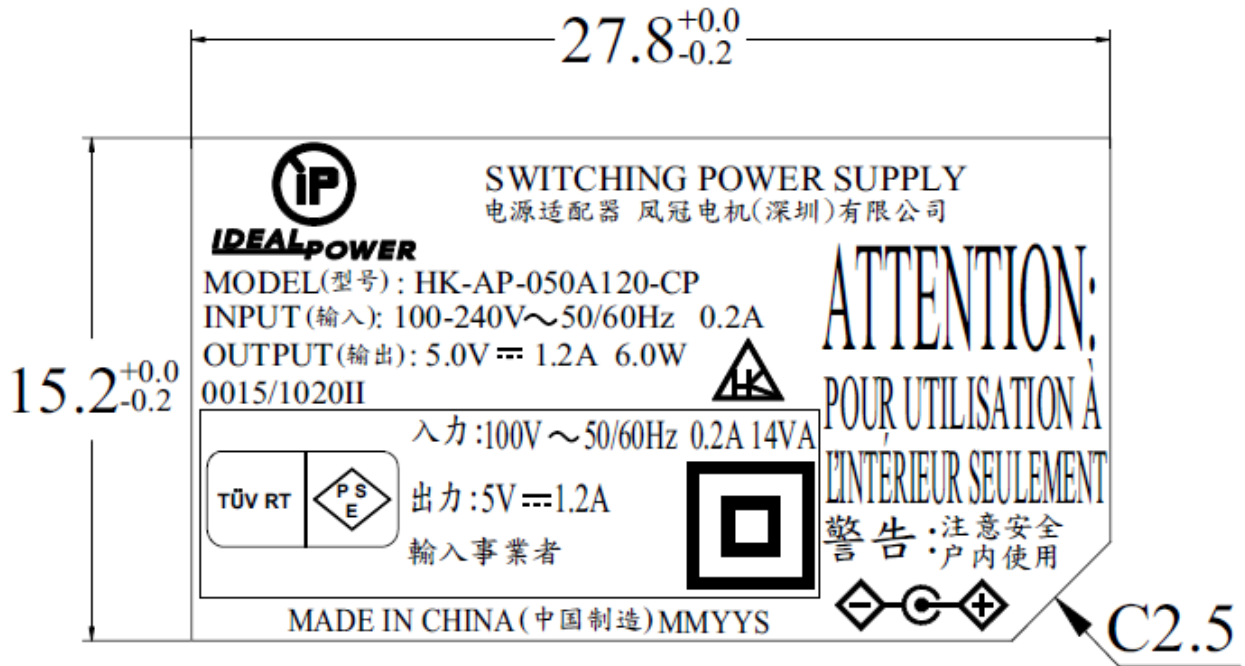


MODEL:
N. W. :
G. W. :
Q' TY: 100PCS

	100V-120V
	200V-240V
	100V-240V



Labels



AC - DC