

## Rubber-Metal Buffers MGA with Internal Thread and Threaded Stud

**Material:** Elastomer: Natural rubber, hardness 55° Shore A.  
Metal parts: Steel, zinc-plated or stainless steel 1.4301 (AISI 304).



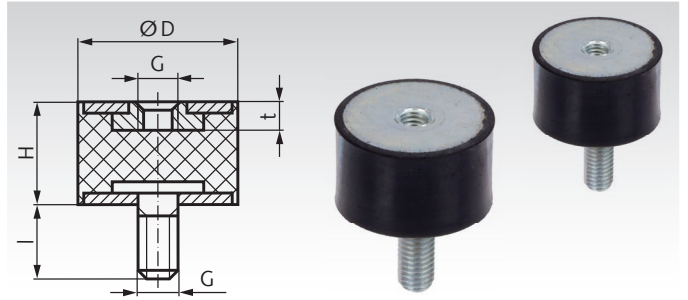
One side with internal thread, other side with external thread.

Standard components for elastic mounting.

The grade of rubber used has perfect physical properties.

Temperature range: -40°C up to +80°C.

Other sizes, Shore hardnesses or elastomer types on request.



Ordering Details: e.g.: Product No. 685 580 00, Rubber-Metal Buffers MGA, 8 mm

Product No. Zinc-plated	Product No. Stainless	D mm	H mm	G mm	l mm	t mm	Pressure Load		Shearing Load		Weight g
							Spring Load CD medium N/mm	Permiss. Load $F_{perm.}^*$ N	Spring Load CS medium N/mm	Permiss. Load $F_{perm.}^*$ N	
685 580 00	689 580 00	8	8	M3	6	3	28	35	10	10	1,0
685 581 00	689 581 00	10	10	M4	10	4	48	43	10	15	2,7
685 583 00	689 583 00	10	15	M4	10	4	29	43	5	15	3,6
685 590 00	689 590 00	15	15	M4	10	4	67	95	15	35	8,3
685 591 15	689 591 15	15	15	M5	8	5	65	95	5	35	5,0
685 591 20	689 591 20	15	20	M4	10	4	43	95	12	35	6,0
685 591 30	689 591 30	15	30	M4	15	4	32	95	9	35	9,0
685 592 15	689 592 15	20	15	M6	18	6	110	170	37	60	14
685 592 20	689 592 20	20	20	M6	18	6	85	170	17	60	16
685 601 00	689 601 00	20	25	M6	18	6	61	170	11	60	17
685 602 14	-	25	15	M6	10	6	165	280	45	95	23
685 602 15	689 602 15	25	15	M6	18	6	165	280	45	95	25
685 602 00	689 602 00	25	20	M6	18	6	130	280	30	95	28
685 602 25	689 602 25	25	25	M6	18	6	89	280	27	95	29
685 602 30	689 602 30	25	30	M6	18	6	71	280	19	95	31
685 607 15	689 607 15	30	15	M8	20	8	270	400	68	140	38
685 607 00	689 607 00	30	20	M8	20	8	235	400	42	140	41
685 607 25	689 607 25	30	25	M8	20	8	180	400	37	140	45
685 603 00	689 603 00	30	30	M8	20	8	113	400	28	140	47
685 605 00	689 605 00	30	40	M8	20	8	106	400	13	140	60
685 598 00	689 598 00	40	25	M8	23	8	265	650	35	250	77
685 608 00	689 608 00	40	30	M8	23	8	234	650	49	250	91
685 600 00	689 600 00	40	30	M10	28	10	234	650	48	250	92
685 609 00	689 609 00	40	40	M8	23	8	147	650	23	250	103
685 610 20	689 610 20	50	20	M10	28	10	450	1000	95	400	112
685 610 25	689 610 25	50	25	M10	28	10	425	1000	82	400	125
685 610 30	689 610 30	50	30	M10	28	10	395	1000	73	400	135
685 610 00	689 610 00	50	40	M10	28	10	273	1000	58	400	168
685 611 00	689 611 00	50	45	M10	33	10	250	1000	50	400	174
685 613 00	689 613 00	50	50	M10	28	10	210	1000	37	400	183
685 613 60	689 613 60	60	40	M10	28	10	390	1500	63	550	224
685 613 65	689 613 65	60	40	M12	33	12	390	1500	60	550	243
685 613 70	689 613 70	70	45	M10	28	10	450	1800	72	700	348
685 613 75	689 613 75	75	25	M12	37	12	980	2300	270	850	299
685 614 40	689 614 40	75	40	M12	37	12	735	2300	118	850	384
685 614 45	689 614 45	75	45	M12	37	12	690	2300	105	850	417
685 614 00	689 614 00	75	50	M12	37	12	530	2300	101	850	467
685 614 55	689 614 55	75	55	M12	37	12	500	2300	90	850	469
685 615 00	689 615 00	100	40	M16	42	16	2160	4200	283	1600	716
685 615 50	689 615 50	100	50	M16	42	16	950	4200	220	1600	808
685 615 55	689 615 55	100	55	M16	42	16	870	4200	170	1600	841
685 616 00	689 616 00	100	60	M16	42	16	843	4200	142	1600	866
685 616 75	689 616 75	100	75	M16	42	16	750	4200	110	1600	1026

\*  $F_{perm.}$ : Note page 782 bottom.