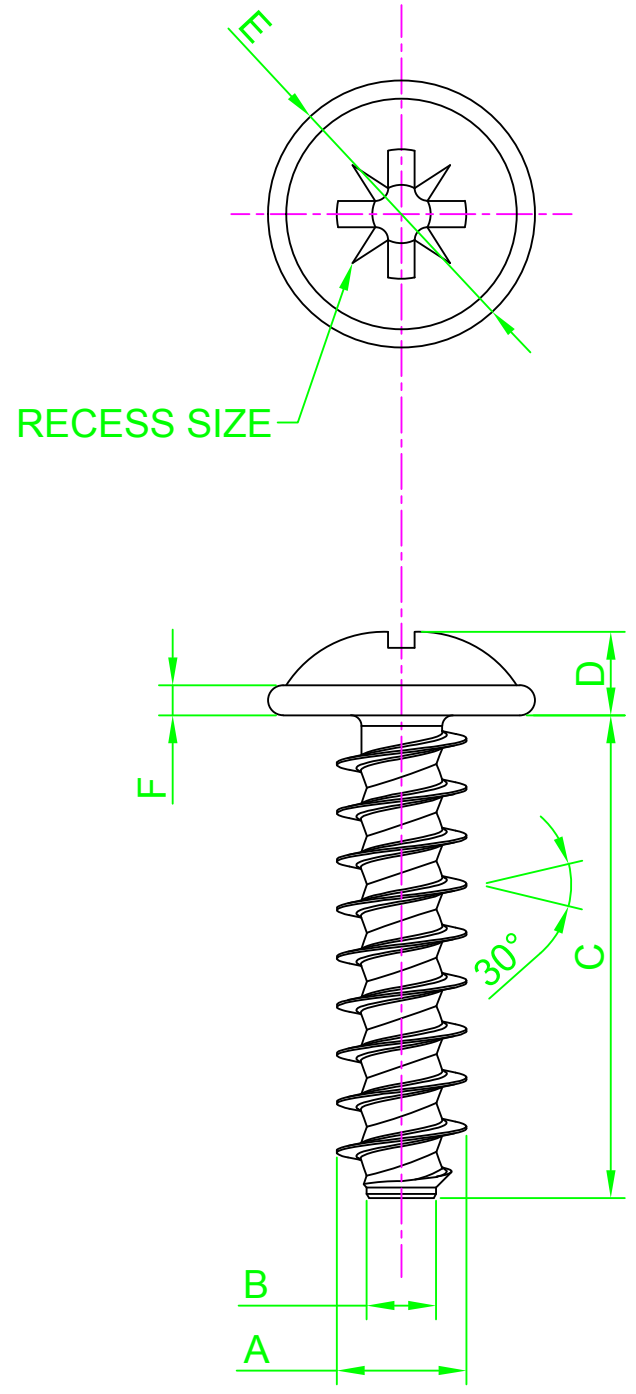


DO NOT SCALE DRAWING

REVISION

A INITIAL DRAWING 5.12.17 DW

| PART NUMBER        | A    | B    | C    | D   | E    | F    | RECESS    |
|--------------------|------|------|------|-----|------|------|-----------|
| 3.0 6 FLST30 Z100  | 3.0  | 1.66 | 6.0  | 2.1 | 6.0  | 0.7  | POZI No 1 |
| 3.0 8 FLST30 Z100  |      |      | 8.0  |     |      |      |           |
| 3.0 10 FLST30 Z100 |      |      | 10.0 |     |      |      |           |
| 3.0 12 FLST30 Z100 |      |      | 12.0 |     |      |      |           |
| 3.0 14 FLST30 Z100 |      |      | 14.0 |     |      |      |           |
| 3.5 8 FLST30 Z100  | 3.5  | 1.91 | 8.0  | 2.4 | 7.0  | 0.8  | POZI No 2 |
| 3.5 10 FLST30 Z100 |      |      | 10.0 |     |      |      |           |
| 3.5 12 FLST30 Z100 |      |      | 12.0 |     |      |      |           |
| 3.5 16 FLST30 Z100 |      |      | 16.0 |     |      |      |           |
| 3.5 20 FLST30 Z100 |      |      | 20.0 |     |      |      |           |
| 3.5 25 FLST30 Z100 | 25.0 |      |      |     |      |      |           |
| 4.0 8 FLST30 Z100  | 4.0  | 2.17 | 8.0  | 2.5 | 8.0  | 0.9  | POZI No 2 |
| 4.0 10 FLST30 Z100 |      |      | 10.0 |     |      |      |           |
| 4.0 12 FLST30 Z100 |      |      | 12.0 |     |      |      |           |
| 4.0 16 FLST30 Z100 |      |      | 16.0 |     |      |      |           |
| 4.0 18 FLST30 Z100 |      |      | 18.0 |     |      |      |           |
| 4.0 20 FLST30 Z100 |      |      | 20.0 |     |      |      |           |
| 4.0 25 FLST30 Z100 |      |      | 25.0 |     |      |      |           |
| 4.0 30 FLST30 Z100 | 30.0 |      |      |     |      |      |           |
| 5.0 12 FLST30 Z100 | 5.0  | 2.68 | 12.0 | 3.2 | 10.0 | 1.10 | POZI No 2 |
| 5.0 16 FLST30 Z100 |      |      | 16.0 |     |      |      |           |
| 5.0 20 FLST30 Z100 |      |      | 20.0 |     |      |      |           |
| 5.0 25 FLST30 Z100 |      |      | 25.0 |     |      |      |           |
| 5.0 30 FLST30 Z100 |      |      | 30.0 |     |      |      |           |



NOTES:



UNLESS OTHERWISE SPECIFIED:  
DIMENSIONS ARE IN MM (MILLIMETERS).  
SURFACE FINISH:  
TOLERANCES:

MATERIAL:  
STEEL

TITLE:  
POZI PAN FLANGE HEAD POLYMATE 30  
SCREW FOR PLASTIC

|       | NAME          | DATE       |
|-------|---------------|------------|
| DRAWN | Darryl Wilson | 05.12.2017 |
| CHK'D |               |            |
| APPVD |               |            |

HEAT TREATMENT:  
CASE HARDENED

DESIGN RIGHT. TR FASTENINGS LTD, 2003  
UNDER NO CIRCUMSTANCES MUST THIS  
DRAWING BE COPIED OR DISCLOSED  
WITHOUT FIRST OBTAINING WRITTEN  
AUTHORITY.

CUSTOMER PART NUMBER:

FINISH:  
TC1D - COMMERCIAL ZINC/CLEAR

DRAWING NUMBER:  
TR32FLST30

A4

PROJECTION

