



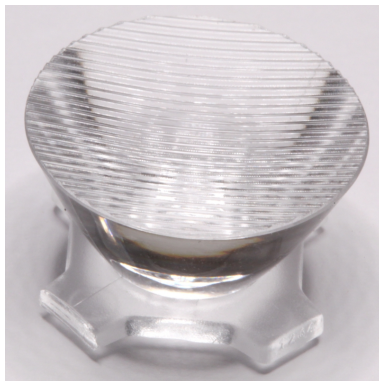
Ordering number CA11264
Description CA11264-Heidi-D-XP

Family	Heidi	FWHM	9 degrees
Type	Lens	Efficiency	-
LED	XP-E	cd/lm	-
Color	Transparent	Gerber File	Available
Diameter	21.6 mm		
Height	11.70 mm		
Style	Round		
Optic Material	PMMA		
Holder Material	-		
Fastening	Tape, pin		
Status	Ready		



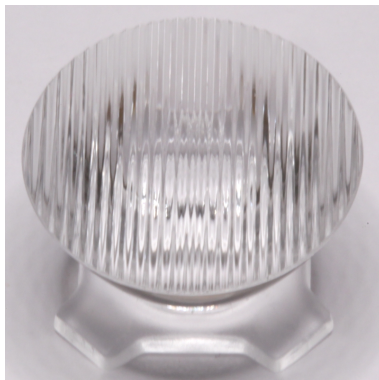
Ordering number CA11265
Description CA11265-Heidi-M-XP

Family	Heidi	FWHM	28 degrees
Type	Lens	Efficiency	-
LED	XP-E	cd/lm	-
Color	Transparent	Gerber File	Available
Diameter	21.6 mm		
Height	11.70 mm		
Style	Round		
Optic Material	PMMA		
Holder Material	-		
Fastening	Tape, pin		
Status	Ready		



Ordering number CA11266
Description CA11266-Heidi-O-XP

Family	Heidi	FWHM	10+51 degrees
Type	Lens	Efficiency	-
LED	XP-E	cd/lm	-
Color	Transparent	Gerber File	Available
Diameter	21.6 mm		
Height	11.70 mm		
Style	Round		
Optic Material	PMMA		
Holder Material	-		
Fastening	Tape, pin		
Status	Ready		



Ordering number CA11267
Description CA11267-Heidi-O-90-XP

Family	Heidi	FWHM	51+10 degrees
Type	Lens	Efficiency	-
LED	XP-E	cd/lm	-
Color	Transparent	Gerber File	Available
Diameter	21.6 mm		
Height	11.70 mm		
Style	Round		
Optic Material	PMMA		
Holder Material	-		
Fastening	Tape, pin		
Status	Ready		



Ordering number CA11268
Description CA11268-Heidi-W-XP

Family	Heidi
Type	Lens
LED	XP-E
Color	Transparent
Diameter	21.6 mm
Height	11.70 mm
Style	Round
Optic Material	PMMA
Holder Material	-
Fastening	Tape, pin
Status	Ready

FWHM	32 degrees
Efficiency	-
cd/lm	-
Gerber File	Available



Ordering number C11382
Description C11382-Heidi-D-XP

Family	Heidi
Type	Lens
LED	XP-E
Color	Transparent
Diameter	21.6 mm
Height	11.70 mm
Style	Round
Optic Material	PMMA
Holder Material	-
Fastening	Tape, pin
Status	Ready

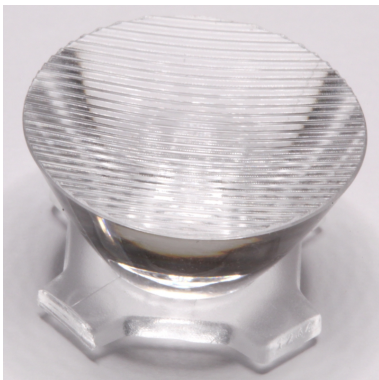
FWHM	9 degrees
Efficiency	-
cd/lm	-
Gerber File	Available



Ordering number C11383
Description C11383-Heidi-M-XP

Family	Heidi
Type	Lens
LED	XP-E
Color	Transparent
Diameter	21.6 mm
Height	11.70 mm
Style	Round
Optic Material	PMMA
Holder Material	-
Fastening	Tape, pin
Status	Ready

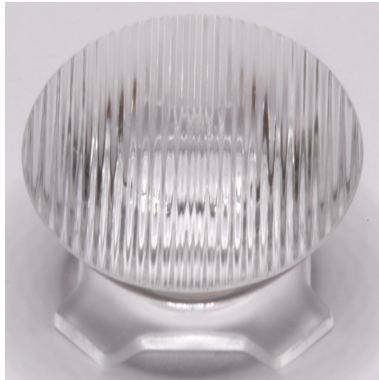
FWHM	28 degrees
Efficiency	-
cd/lm	-
Gerber File	Available



Ordering number C11384
Description C11384-Heidi-O-XP

Family	Heidi
Type	Lens
LED	XP-E
Color	Transparent
Diameter	21.6 mm
Height	11.70 mm
Style	Round
Optic Material	PMMA
Holder Material	-
Fastening	Tape, pin
Status	Ready

FWHM	10+51 degrees
Efficiency	-
cd/lm	-
Gerber File	Available



Ordering number C11385
Description C11385-Heidi-O-90-XP

Family	Heidi	FWHM	10+51 degrees
Type	Lens	Efficiency	-
LED	XP-E	cd/lm	-
Color	Transparent	Gerber File	Available
Diameter	21.6 mm		
Height	11.70 mm		
Style	Round		
Optic Material	PMMA		
Holder Material	-		
Fastening	Tape, pin		
Status	Ready		



Ordering number C11386
Description C11386-Heidi-W-XP

Family	Heidi	FWHM	32 degrees
Type	Lens	Efficiency	-
LED	XP-E	cd/lm	-
Color	Transparent	Gerber File	Available
Diameter	21.6 mm		
Height	11.70 mm		
Style	Round		
Optic Material	PMMA		
Holder Material	-		
Fastening	Tape, pin		
Status	Ready		



Ordering number C11662
Description C11662-Heidi-RS-XP

Family	Heidi	FWHM	13 degrees
Type	Lens	Efficiency	-
LED	XP-E	cd/lm	-
Color	Transparent	Gerber File	Available
Diameter	21.6 mm		
Height	11.70 mm		
Style	Round		
Optic Material	PMMA		
Holder Material	-		
Fastening	Tape, pin		
Status	Ready		



Ordering number CA11663
Description CA11663_Heidi-RS-XP

Family	Heidi	FWHM	13 degrees
Type	Lens	Efficiency	-
LED	XP-E	cd/lm	-
Color	Transparent	Gerber File	Available
Diameter	21.6 mm		
Height	11.70 mm		
Style	Round		
Optic Material	PMMA		
Holder Material	-		
Fastening	Tape, pin		
Status	Ready		



Heidi series



Ordering number CA12079
Description CA12079_Heidi-W2-XP

Family	Heidi	FWHM	24 degrees
Type	Lens	Efficiency	-
LED	XP-E	cd/lm	-
Color	Transparent	Gerber File	Available
Diameter	21.6 mm		
Height	11.70 mm		
Style	Round		
Optic Material	PMMA		
Holder Material	-		
Fastening	Pin, tape		
Status	Ready		

D

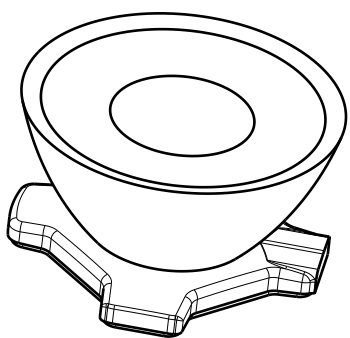
C

B

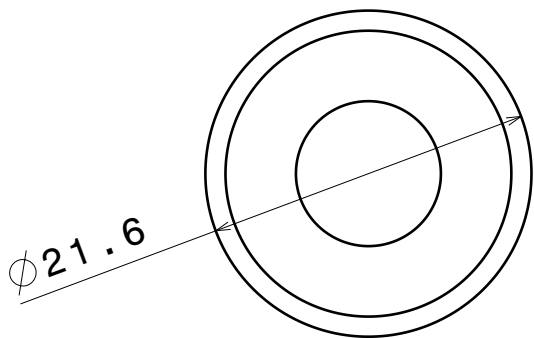
A

4

4



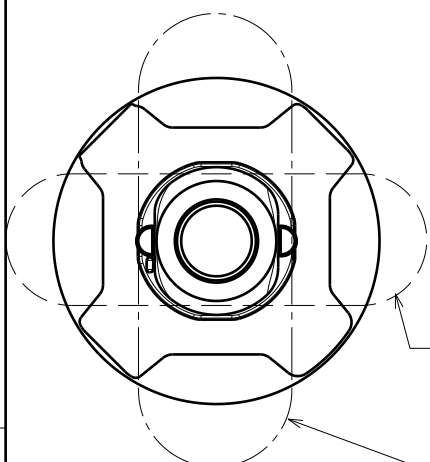
Isometric view



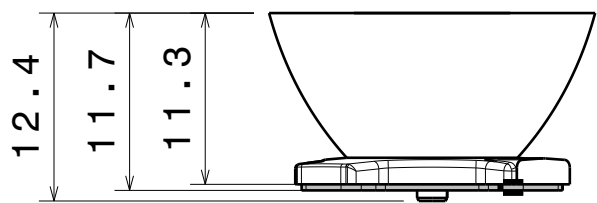
Top view

3

3



Bottom view
OVAL BEAM direction



Front view

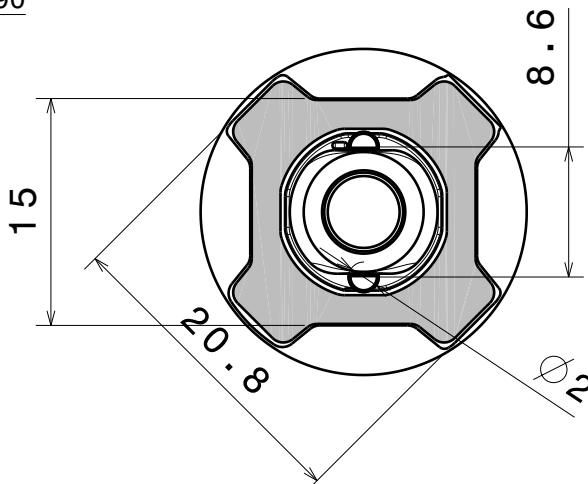
2

2

Material:
 Lens PMMA
 Tape PU Foam

Part no.s:
 CA11264_Heidi-D
 CA11265_Heidi-M
 CA11266_Heidi-O
 CA11267_Heidi-O-90

Heidi-0
 Heidi-0-90



Bottom view

This drawing is our property.
 It can't be reproduced
 or communicated without
 our written agreement.



L
T
F
F

e
e
i
i
N
n

d

DRAWING TITLE

Datasheet Heidi-Series Assy

1

1

DRAWN BY o	DATE 12.01.2010
CHECKED BY o	DATE 12.01.2010
DESIGNED BY hh	DATE 12.01.2010

SIZE A4	DRAWING NUMBER	REV 1
SCALE 2:1	WEIGHT (g)	SHEET 1/1

D

A