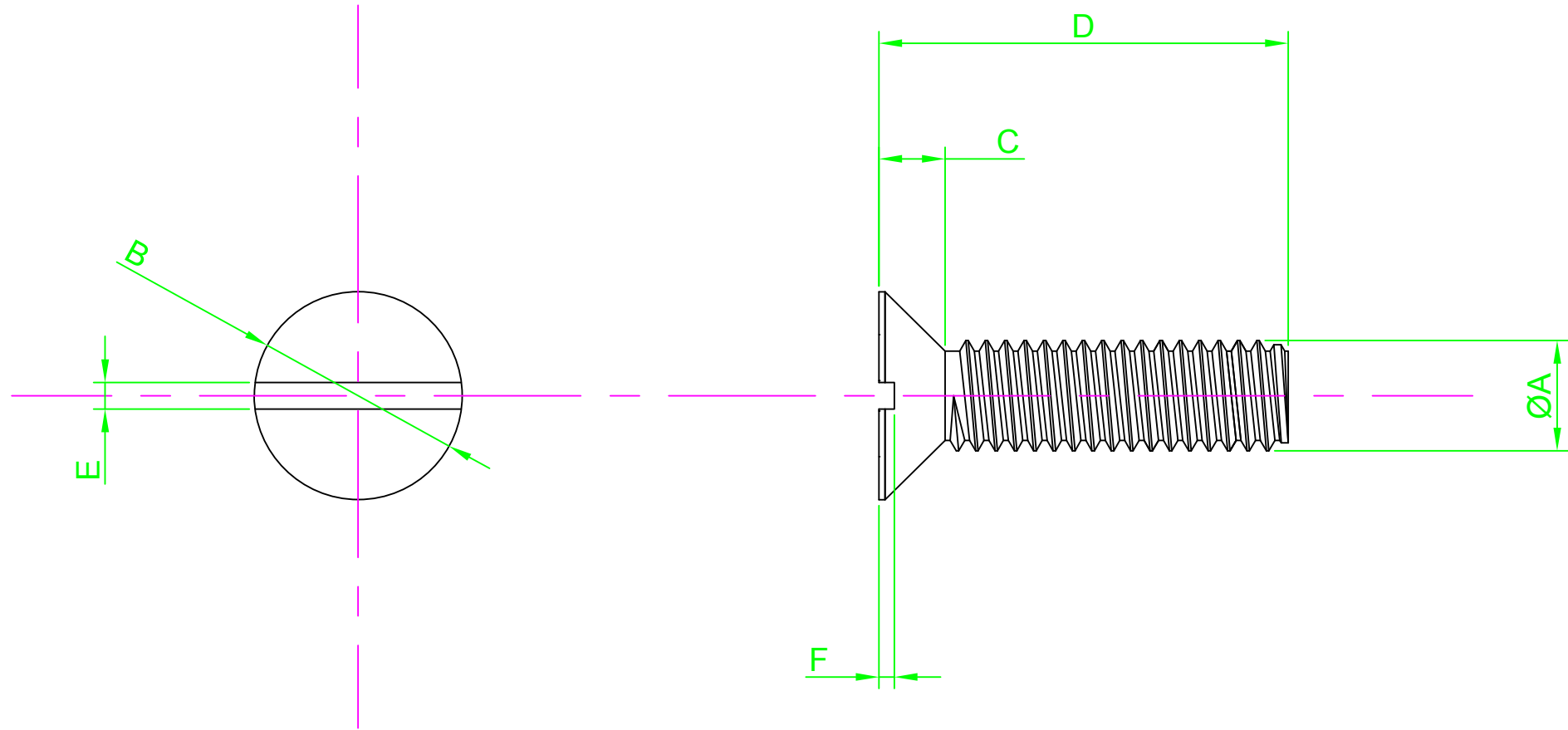


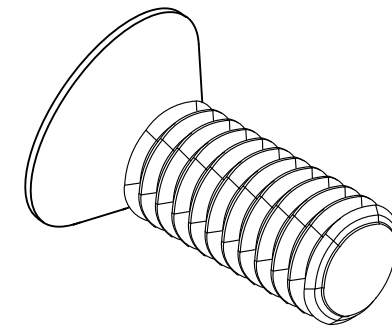
DO NOT SCALE DRAWING



REVISION

A INITIAL DRAWING 23.9.15

Part Number	ØA	B Nom	C Max	D Length	E Nom	F Max
M2.5 6 KSBRC S100	M2.5-0.45	4.7	1.5	6.0	0.6	0.7
M2.5 20 KSBRC S100				20.0		
M3 6 KSBRC S100	M3-0.5	5.6	1.65	6.0	0.8	0.85
M3 30 KSBRC S100				30.0		
M3.5 20 KSBRC S100	M3.5-0.6	6.5	1.93	20.0	0.8	1.0
M3.5 30 KSBRC S100				30.0		
M4 12 KSBRC S100	M4-0.7	7.5	2.2	12.0	1.0	1.1
M4 16 KSBRC S100				16.0		
M4 25 KSBRC S100				25.0		
M4 40 KSBRC S100				40.0		



NOTES:



UNLESS OTHERWISE SPECIFIED:
DIMENSIONS ARE IN MM (MILLIMETERS).
SURFACE FINISH:
TOLERANCES: DIN 963

MATERIAL:
Brass

TITLE:
Slotted Csk Head Machine Screw DIN 963

	NAME	DATE
DRAWN	Darryl Wilson	23.09.15
CHK'D		
APPV'D		

HEAT TREATMENT:
N/A

DESIGN RIGHT. TR FASTENINGS LTD, 2003
UNDER NO CIRCUMSTANCES MUST THIS
DRAWING BE COPIED OR DISCLOSED
WITHOUT FIRST OBTAINING WRITTEN
AUTHORITY.

CUSTOMER PART NUMBER:
N/A

FINISH:
Self Finish

DRAWING NUMBER:
TR32KSBRCMS100

A4

