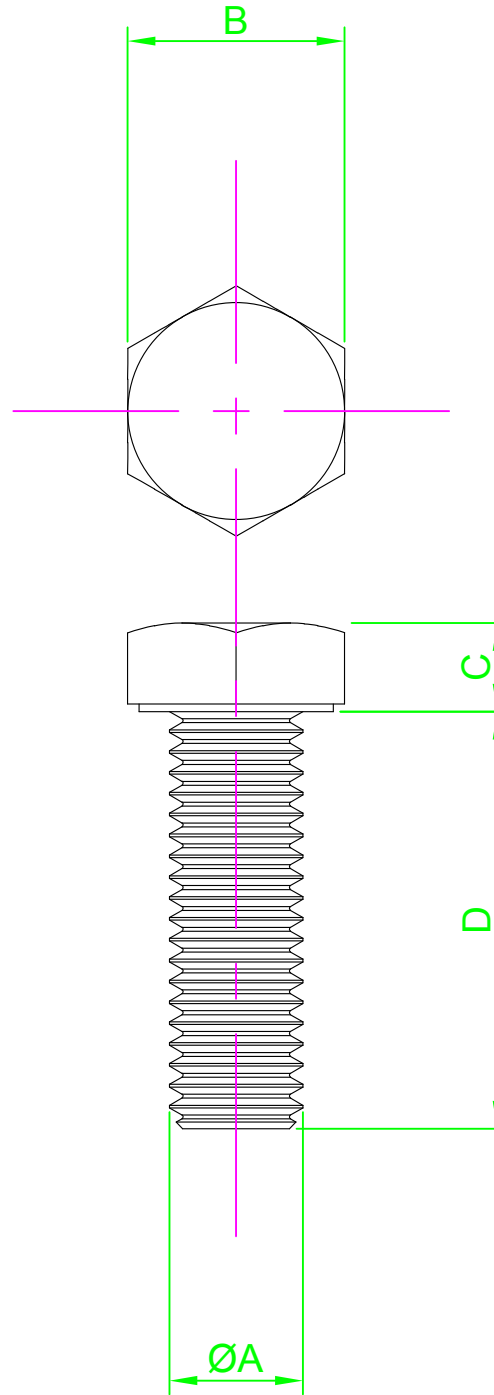
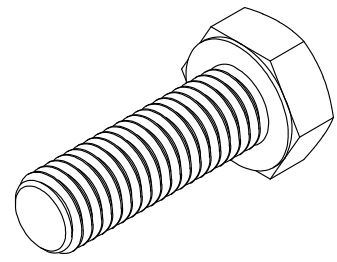


DO NOT SCALE DRAWING



REVISION

A INITIAL DRAWING 26.01.16 DW

Part Number	ØA	B Nom	C Nom	D Length
M4 6 HH88SC Z100	M4-0.7	7	2.8	6.0
M4 10 HH88SC Z100				10.0
M4 12 HH88SC Z100				12.0
M4 16 HH88SC Z100				16.0
M4 20 HH88SC Z100				20.0
M4 25 HH88SC Z100				25.0
M5 8 HH88SC Z100	M5-0.8	8	3.5	8.0
M5 10 HH88SC Z100				10.0
M5 12 HH88SC Z100				12.0
M5 16 HH88SC Z100				16.0
M5 20 HH88SC Z100				20.0
M5 25 HH88SC Z100				25.0
M5 30 HH88SC Z100				30.0
M6 10 HH88SC Z100	M6-1.0	10	4.0	10.0
M6 12 HH88SC Z100				12.0
M6 16 HH88SC Z100				16.0
M6 20 HH88SC Z100				20.0
M6 25 HH88SC Z100				25.0
M6 30 HH88SC Z100				30.0
M6 40 HH88SC Z100				40.0
M6 50 HH88SC Z100				50.0
M16 80 HH88SC Z100	M16-2.0	24	10.0	80.0

NOTES:



UNLESS OTHERWISE SPECIFIED:  
DIMENSIONS ARE IN MM (MILLIMETERS).  
SURFACE FINISH:  
TOLERANCES: DIN 933

MATERIAL:  
Steel

TITLE:  
Hex Head Set Screw DIN 933

	NAME	DATE
DRAWN	Darryl Wilson	26.01.16
CHK'D		
APPVD		

HEAT TREATMENT:  
Grade 8.8

DESIGN RIGHT. TR FASTENINGS LTD, 2003  
UNDER NO CIRCUMSTANCES MUST THIS  
DRAWING BE COPIED OR DISCLOSED  
WITHOUT FIRST OBTAINING WRITTEN  
AUTHORITY.

CUSTOMER PART NUMBER:  
N/A

FINISH:  
TC1 - Commercial Zinc/Clear Cr3

DRAWING NUMBER:  
TR32HH88SCZ100

A4

