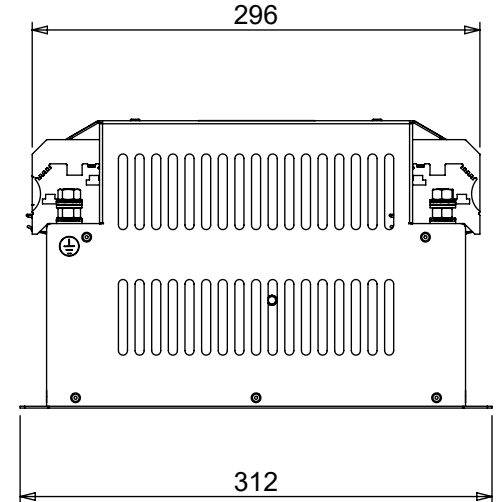
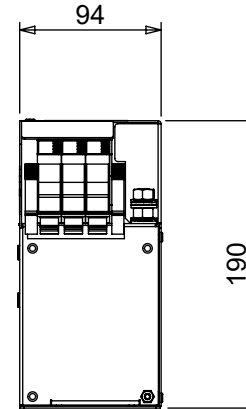
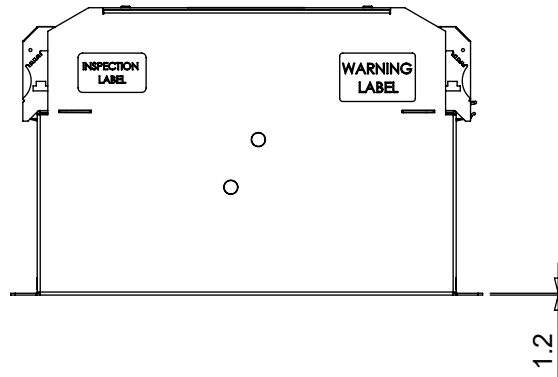
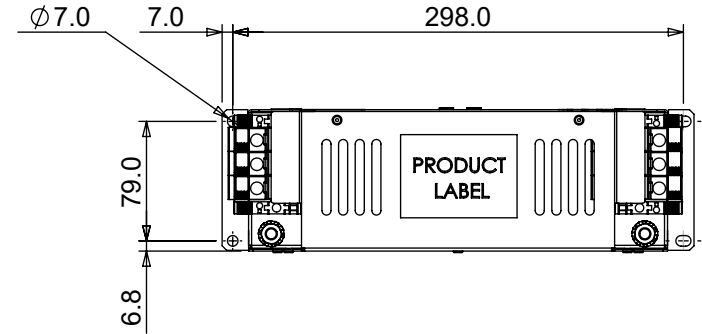
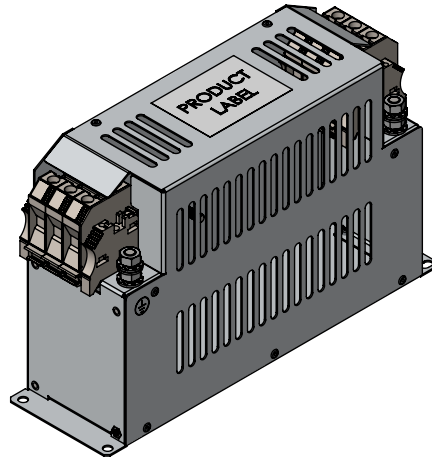
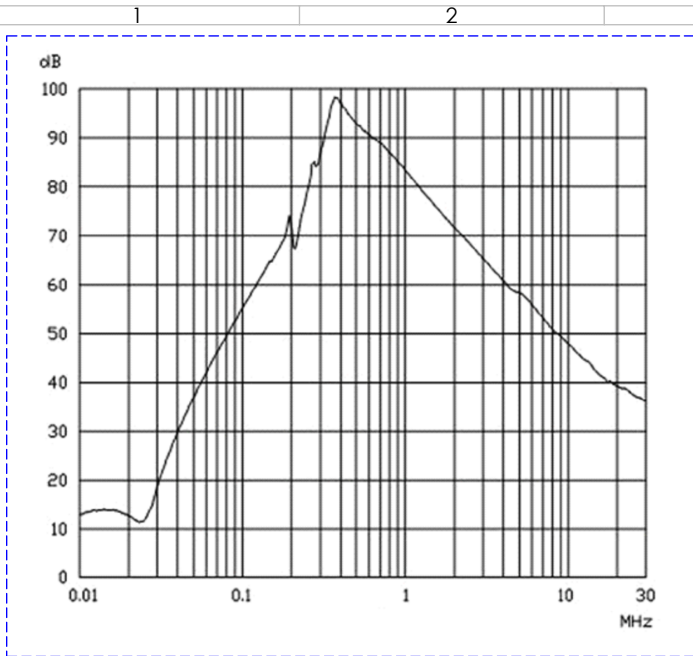


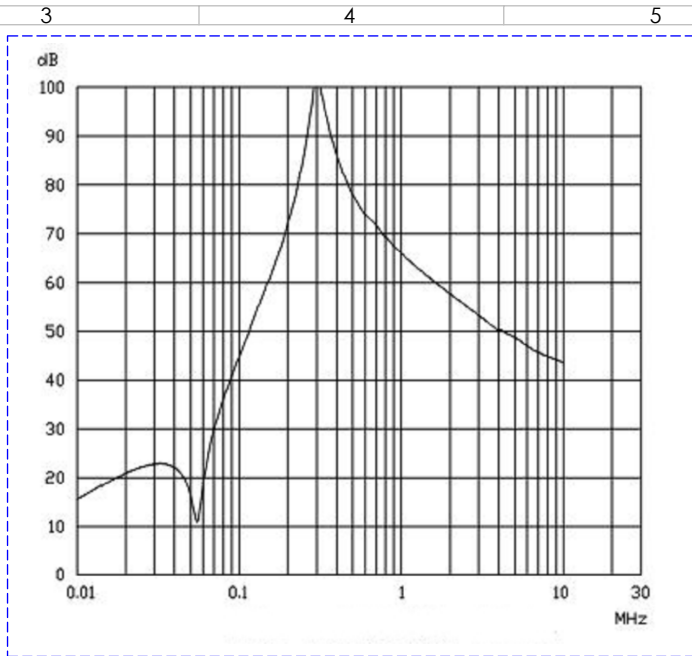
KMF3100

AKA	n/a
Device	rfi filter
Current	100A 40°C (80A 50°C)
Earthing	M8x23 stud 6Nm
Enclosure	aluminium 1.2mm
Loss	7.6W/ph
Leakage	4.4mA operating
Mass	4kg
Mounting	M6 4.5Nm
PCB	FR4 AVLV2 VW-1 600V 105°C IIIa
Potting	air
Power	83kW (24kW)
Protection	IP20
Resistance	0.96mR/ph
Residual	560V 5s
SCCR	200kA when fused
Style	terminal filter
Terminal	screw 2.5-35mm <sup>2</sup> 4.5Nm 18mm
Varistor	n/a
Supply	3P 480V 50/60Hz
Voltage	528V (480V IT) max
Withstand	2900Vdc 60s
Altitude	2000m w/out derating
Bonding	25A 50/60Hz
Class	class I
Environment	-25/+85/21
Flammability	UL94 V-2 min
Humidity	93% RH non-condensing
Insulation	500Vdc ≥3.5MR
Material	group IIIB
MTBF	22yrs (MIL-HDBK-217F)
Overload	135% 2hrs 150% 60s
Overvoltage	category II
Packaging	ASTM D7386
Pollution	degree II
Shock	15g 11mS
Spacing	≥50mm from ventilated surfaces
Vibration	5-55Hz 350um 55-500Hz 2G
EU	CE EN60939
US	uR UL1283
CAN	cUR CSA22.2
OTHER	n/a





A1: 50/50Ω ASYMMETRICAL (COMMON)



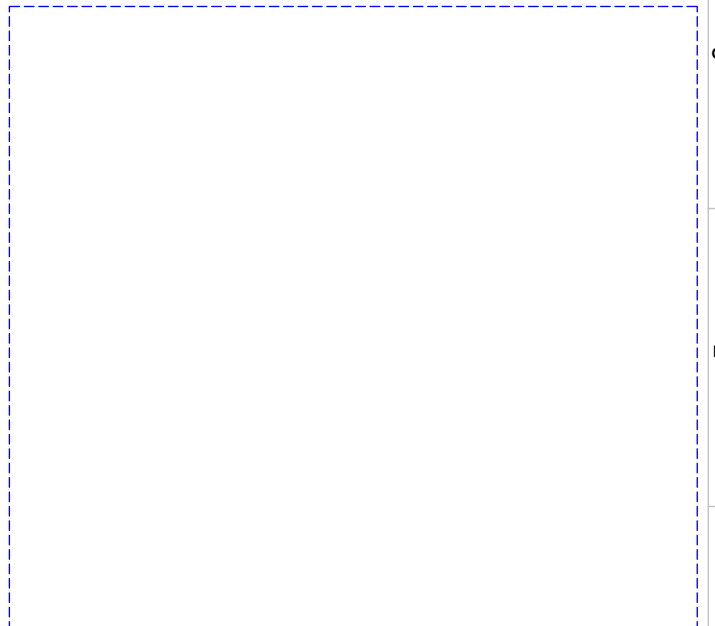
A2: 50/50Ω SYMMETRICAL (DIFFERENTIAL)



B: 50/50Ω ASYMMETRICAL (COMMON) LINE Y-CAP/CLIP REMOVED



C: 50/50Ω ASYMMETRICAL (COMMON) LOAD Y-CAP/CLIP REMOVED



D: 50/50Ω ASYMMETRICAL (COMMON) Y-CAPS/CLIPS REMOVED