



HF-Regulator Intelligent Touch DALI for PL-T/C and TL5C

HF-Ri TD 2 26-42 PL-T/C E+

Intelligent high-frequency electronic dimming ballast, using DALI (Digital Addressable Lighting Interface according to IEC62386) or Touch and Dim push-button protocol for fluorescent lamps. Features Corridor Mode, programmable with Philips MultiOne. High-frequency operation improves light quality and lamp lifetime. Pre-empts upcoming legislation as it meets A1BAT requirements.

Product data

• General Characteristics

Interface	TD
Application code	E+
Rated Lamptype	PL-T/C
Rated Number of Lamps	2 piece
Rated Ballast-Lamp Power	26-42
Line Voltage	195-240 V
Line Frequency	50/60 Hz
Housing	L 123x79x33
Energy Efficiency Index	A1 BAT
Lifetime 90% surv.@Tcaselife	50000 hr
Ignition Method	Warm Start

• Operating Characteristics

Automatic restart	Yes
Ignition time	1 (max) s
Mains voltage safety (AC)	-10%/+10%
Mains voltage performance (AC)	-8%/+6%
Inrush current Peak	45 (max) A
Inrush current Width	0.35 ms
Earth leakage current	0.5 (max) mA
Power losses gear	2.7 W
Standby power consumption	0.27 (max) W
Regulating level power	3%-100%
Ballast Lumen Factor	1 -
PowerFactor 100% output power	0.95 -

Overvoltage protection 320Vac	48 hr
Overvoltage protection 350Vac	2 hr
Control input protection	Yes (Basic insulation)
Max ballast on MCB(16A type B)	12 x
Crestfactor	1.7 (max) -
Hum and Noise level	Inaudible
Total Harmonic Distortion EUR	7.9 %

• Wiring Characteristics

Cable-Cap output-wires to earth	150 (max) pF
Cable-Cap output-wires mutual	150 (max) pF
Conn.type input terminals	WAGO 250 series
Conn.type output terminals	WAGO 250 series
Conn.type ctrl input terminals	WAGO 250 series
Striplength	8.0-9.0 mm
Dual fixture Master/Slave	Yes [Master/Slave operation possible]
Wcs Control input terminals	0.50-1.50 mm2
Wcs Input terminals	0.50-1.50 mm2
Wcs Output terminals	0.50-1.50 mm2
Wcs auto insertion (ALF/ADS)	0.50-1.50 mm2

PHILIPS

HF-Regulator Intelligent Touch DALI for PL-T/C and TL5C

• System Chars on driver level

Rated Lamp Power on PL-T/C	26
Rated Lamp Power on PL-T	32/42
Rated Lamp Power on TL5C	22/40/22+40
System Power on PL-T/C	58.5
System Power on PL-T	69/89.2
System Power on TL5C	52.5/84.1/68.3
Power Loss on PL-T/C	6.5
Power Loss on PL-T	7/7.2
Power Loss on TL5C	6.5/7.1/6.8
Lamp Power on TL5C	46/77/61
Lamp Power on PL-T	62/82
Lamp Power on PL-T/C	50

• Temperature Characteristics

T-case life	75 (max) C
T-case maximum	75 (max) C
T-ignition	-25 (min), 50 (max) C
T-ambient	-25 (min), 50 (max) C
T-storage	-40 (min), 80 (max) C

• Product Dimensions

Length A1	123.0 mm
Fixing Hole Distance	111.0 mm
Length A2	
Width B1	79.0 mm
Fixing Hole Distance	67.0 mm
Width B2	
Height C1	33.0 mm
Fixing Hole Diameter	4.5 mm
D1	

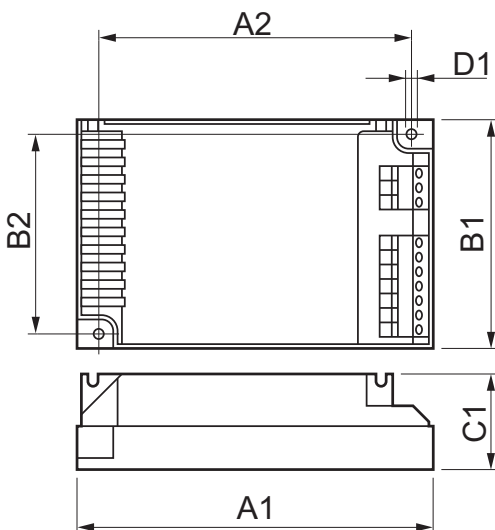
• Approval & Application Chars

EMI 9kHz .. 30 MHz	EN 55015
EMI 30 MHz .. 1000MHz	EN 55022 Class B
Safety Standard	IEC 61347-2-3
Performance Standard	IEC 60929
Quality Standard	ISO 9000:2000
Environmental Standard	ISO 14001
Harmonic current emissions	IEC 61000-3-2
EMC Immunity	IEC 61547
Vibrations	IEC 68-2-6 Fc
Bumps	IEC 68-2-29 Eb
Humidity	EN 61347-2-3 clause 11
Approval marks	CE / ENEC / EMC / CCC
CE marking	Yes
Temperature marking	110 [Yes]
Emergency standard	IEC 60598-2-22

• Product Data

Order code	913700684866
Full product code	913700684866
Full product name	HF-Ri TD 2 26-42 PL-T/C E+
Order product name	HF-Ri TD 2 26-42 PL-T/C E+
Pieces per pack	1
Packing configuration	12
Packs per outerbox	12
Bar code on pack - EAN1	8718291241690
Bar code on outerbox - EAN3	8718291241706
Logistic code(s) - 12NC	913700684866
Net weight per piece	0.230 kg

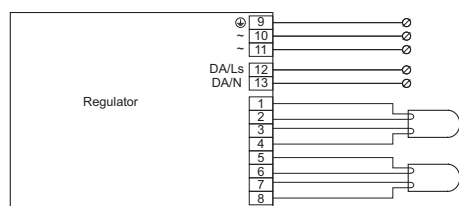
Dimensional drawing



HF-Ri TD 2 26-42 PL-T/C E+

Product	A1 (Norm)	A2 (Norm)	B1 (Norm)	B2 (Norm)	C1 (Norm)	D1 (Norm)
HF-Ri TD 2 26-42 PL-T/C E+	123.0	111.0	79.0	67.0	33.0	4.5

Dimensional drawing



HF-Ri TD 2 26-42 PL-T/C E+



© 2014 Koninklijke Philips N.V. (Royal Philips)
All rights reserved.

Specifications are subject to change without notice. Trademarks are the property of Koninklijke Philips N.V. (Royal Philips) or their respective owners.

www.philips.com/lighting

2014, April 11
data subject to change