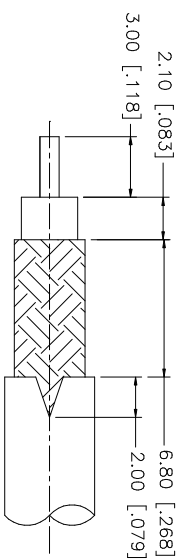
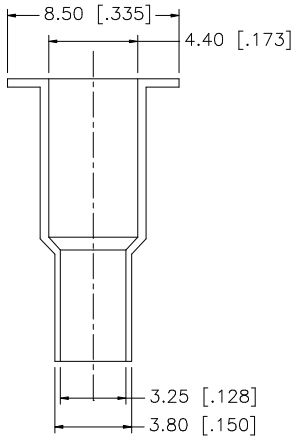
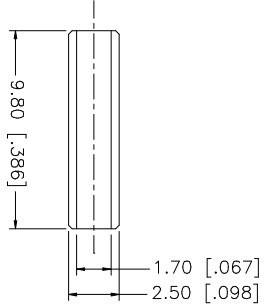
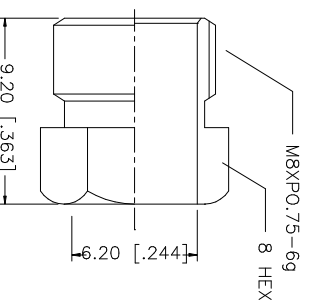
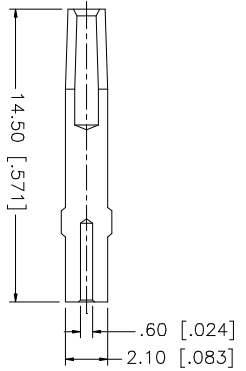
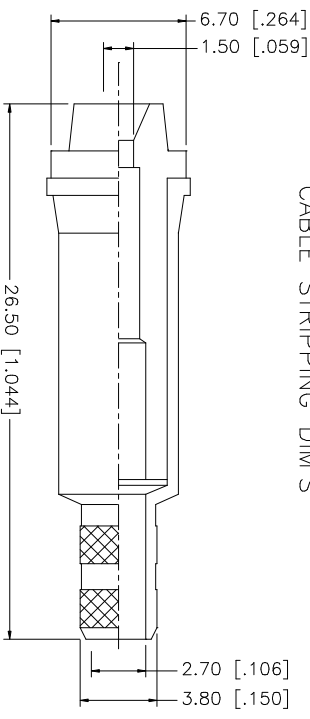


REV.	DATE	DESCRIPTION
A	01/30/97	ADD FLANGE TO FERRULE
B	09/12/06	UPDATE DRAWING FORMAT



RECOMMENDED
CABLE STRIPPING DIM'S



QTY	FINISH	MATERIAL	DESCRIPTION
1	NICKEL	BRASS	BODY
1	NATURAL	DELFIN	INSULATOR
1	NICKEL	PHOS. BRONZE	CONTACT PIN
1	NICKEL	BRASS	HEX NUT
1	NATURAL	DELFIN	SLEEVE
1	NICKEL	COPPER	FERRULE

APPROVALS	DATE
DRAWN G.R.S.	09/12/06
CHECKED	
ISSUED	
SHEET 1 OF 1	

UNLESS OTHERWISE SPECIFIED DIMENSIONS ARE IN INCHES AND FOR CUSTOMER REFERENCE ONLY.
TOLERANCES FOR MILLIMETERS ARE: 0.5 - 8mm ± 0.20mm 8 - 30mm ± 0.40mm 30 - 120mm ± 0.50mm
UNLESS OTHERWISE SPECIFIED DIMENSIONS FOR INCHES ARE: .020 - .315 = ± 0.007" .315 - 1.180 = ± 0.015" 1.180 - 4.724 = ± 0.020"

DO NOT SCALE DRAWING

CAD FILE	DWG. NO.	REV.	SIZE	SCALE
C:/192/192111.DWG	192111.DWG	B	A	NA

PART DESCRIPTION	PART NO.
FME ROTATING NIPPLE (FOR RG-174/U, 188A/U, 316/U)	192111

Amphenol Connex