

JBC R470040

Bevel Cartridge Ø 9

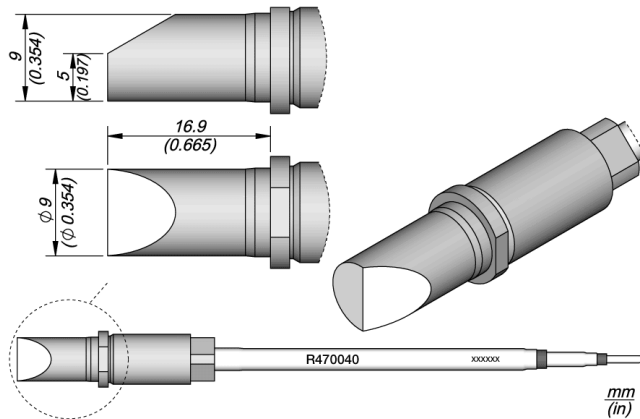
This cartridge is designed for the use in **Automated and Heavy-Duty Soldering Processes**.

It is appropriate for **general soldering** purposes and it is perfect for **SMD components and applications with high-power** requirements such as ground plane soldering.

The new design **features a square cross-section** that perfectly centers the cartridge in the soldering iron and **ensures accurate vertical positioning**. In addition, the cartridge can be **placed/used in 4 different positions, which can be changed in steps of 90°**.

R470040 fits TR470 Heavy Duty Soldering Tool and TRA470 Automatic Heavy Duty Soldering Tool.

JBC also offers the possibility to manufacture your special tip geometry. Do not hesitate to ask us on customtips@jbctools.com.



REFERENCE

R470040

SPECIFICATIONS

Net weight 0,02 kg (0.04lb)

WEIGHT AND DIMENSIONS

Package 183 x 60 x 34 mm / 0.03 kg.
7.20 x 2.36 x 1.34 in / 0.06 lb.

Copyright © 2024 JBC Soldering S.L. | [Legal Notice](#) | [Privacy Policy](#) | [Terms and Conditions](#) | [Cookie policy](#) | [Internal Communication](#) | [RSS Feed](#) | [JBC Store](#) | [Contact Us](#)

CONNECTABLES



TRA470-B

Automatic Heavy Duty Soldering Tool for Robot

TR470-B

Heavy Duty Soldering Tool for Robot