

MOTOR SUPPRESSOR

RC, 3x400VAC/10kW

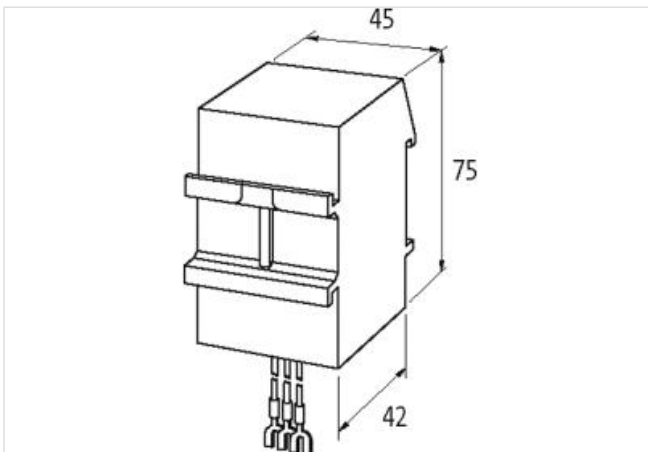
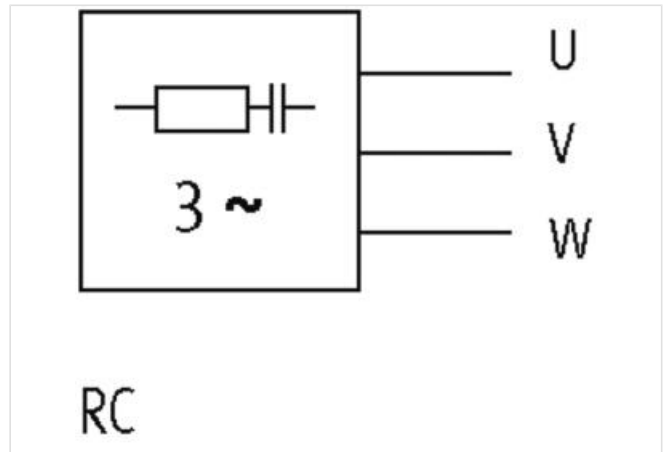
3× 400 V AC

RC

Suppressors for other voltages, frequencies, and motor ratings available on request. Do not use RC motor suppressors with frequency inverters.

[Link to Product](#)

Illustration



Product may differ from Image



Commercial data

| | |
|-------------|----------|
| ECLASS-6.0 | 27371013 |
| ECLASS-6.1 | 27371013 |
| ECLASS-7.0 | 27371013 |
| ECLASS-8.0 | 27371013 |
| ECLASS-9.0 | 27371013 |
| ECLASS-10.1 | 27371013 |

| | |
|--|--|
| ECLASS-11.1 | 27371013 |
| ECLASS-12.0 | 27371013 |
| ETIM-5.0 | EC000197 |
| customs tariff number | 85363010 |
| GTIN | 4048879019651 |
| Packaging unit | 1 |
| Electrical data Supply | |
| Power frequency | 50 ... 60 Hz |
| Electrical data Input | |
| Input voltage AC | 400 V |
| Installation | |
| Connection cross-section stranded/fine-stranded min. | 0,5 mm ² |
| Installation Connection | |
| Connection information | Einzellitzen mit selbstsicherndem Gabelkabelschuh M4 |
| Length single strands | 250 mm |
| Device protection Media | |
| Flame resistance | flame retardant |
| Mechanical data Material data | |
| Combustibility class housing (UL94) | V-0 |
| Material housing | Plastic |
| Material potting compound | 2-component epoxy |
| Mechanical data Mounting data | |
| Height | 75 mm |
| Width | 45 mm |
| Depth | 42 mm |
| Environmental characteristics Climatic | |
| Operating temperature min. | -20 °C |
| Operating temperature max. | 60 °C |