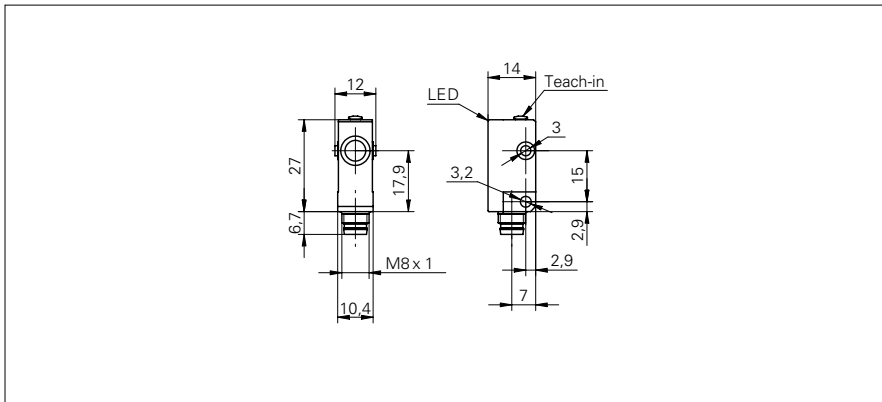


Ultrasonic distance measuring sensors

UNDK 10U6914/S35A

dimension drawing



general data

| | |
|--------------------------------|--------------------------------|
| scanning range sd | 20 ... 200 mm |
| scanning range close limit Sdc | 20 ... 200 mm |
| scanning range far limit Sde | 20 ... 200 mm |
| repeat accuracy | < 0,5 mm |
| resolution | < 0,3 mm |
| response time ton | < 60 ms |
| release time toff | < 60 ms |
| temperature drift | < 2 % of distance to target So |
| sonic frequency | 380 kHz |
| adjustment | Teach-in |
| alignment aid | target indication flashing |
| light indicator | yellow LED / red LED |

electrical data

| | |
|------------------------------------|-------------------------|
| voltage supply range +Vs | 15 ... 30 VDC |
| current consumption max. (no load) | 35 mA |
| output circuit | voltage output |
| output signal | 0 ... 10 V / 10 ... 0 V |
| output current | < 20 mA |
| residual ripple | < 10 % Vs |
| short circuit protection | yes |
| reverse polarity protection | yes |

mechanical data

| | |
|------------------|---------------|
| type | rectangular |
| housing material | plastic (ASA) |
| width / diameter | 10,4 mm |
| height / length | 27 mm |
| depth | 14 mm |
| connection types | connector M8 |

ambient conditions

| | |
|-----------------------|----------------|
| operating temperature | -10 ... +60 °C |
| protection class | IP 67 |

photo



connection diagram

