

- 1
- 2
- 3
- 4
- 5
- 6
- 7
- 8
- 9
- 10
- 11
- 12
- 13
- 14
- 15
- 16
- 17
- 18

BASE

Glass-fibre reinforced polyamide based (PA) technopolymer, black colour, matte finish.

ARTICULATED STEM

Threaded AISI 304 stainless steel with regulation hexagon.

STANDARD EXECUTIONS

- **LS.A-SST**: without no-slip disk.
- **LS.A-AS-SST**: with NBR rubber no-slip disk, hardness 70 Shore A, supplied assembled to the base.

FEATURES

The particular assembling system of the no-slip disk to the base assures a perfect anchoring, preventing separation even in case of impact during transport or of adhesion (sticking) to the floor (see No-slip disks on page 1137).

ORDER INFORMATION

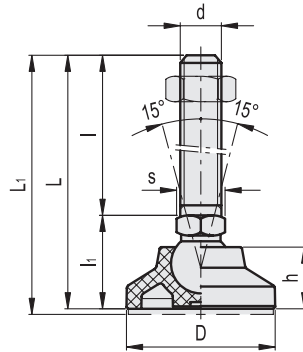
The levelling elements are supplied unassembled to make carriage and storage easier. The components (base and stem) are supplied in separate packing: less volume taken and better protection from scratches and dirt.

To order bases and stems separately, see:

- table of possible combinations Bases/Stems (see page 1144)
- the codes of the Bases (see page 1139)
- the codes of the Stems (see page 1142).

ACCESSORIES ON REQUEST

AISI 304 stainless steel nut (see Nuts NT. on page 1137).



LS.A-SST

LS.A-AS-SST

Code	Description	Code	Description	D	d	L	L#	l	li	h	s	Articulation θ	Max. limit stati load* [N]	⚖️	⚖️ #
351121	LS.A-25-14-SST-M8x43	356121	LS.A-25-14-AS-SST-M8x43	25	M8	67	70	43	24	12	14	14	7000	33	35
351125	LS.A-25-14-SST-M8x68	356125	LS.A-25-14-AS-SST-M8x68	25	M8	92	95	68	24	12	14	14	7000	43	45
351221	LS.A-25-14-SST-M10x43	356221	LS.A-25-14-AS-SST-M10x43	25	M10	67	70	43	24	12	14	14	7000	43	45
351225	LS.A-25-14-SST-M10x68	356225	LS.A-25-14-AS-SST-M10x68	25	M10	92	95	68	24	12	14	14	7000	56	58
351231	LS.A-25-14-SST-M10x98	356231	LS.A-25-14-AS-SST-M10x98	25	M10	122	125	98	24	12	14	14	7000	70	72
351321	LS.A-25-14-SST-M12x43	356321	LS.A-25-14-AS-SST-M12x43	25	M12	67	70	43	24	12	14	14	7000	53	55
351325	LS.A-25-14-SST-M12x68	356325	LS.A-25-14-AS-SST-M12x68	25	M12	92	95	68	24	12	14	14	7000	71	73
351331	LS.A-25-14-SST-M12x98	356331	LS.A-25-14-AS-SST-M12x98	25	M12	122	125	98	24	12	14	14	7000	93	95
351421	LS.A-25-14-SST-M14x68	356421	LS.A-25-14-AS-SST-M14x68	25	M14	92	95	68	24	12	14	14	7000	86	88
351431	LS.A-25-14-SST-M14x98	356431	LS.A-25-14-AS-SST-M14x98	25	M14	122	125	98	24	12	14	14	7000	107	109
351441	LS.A-25-14-SST-M14x148	356441	LS.A-25-14-AS-SST-M14x148	25	M14	172	175	148	24	12	14	14	7000	190	192
351521	LS.A-25-14-SST-M16x68	356521	LS.A-25-14-AS-SST-M16x68	25	M16	92	95	68	24	12	16	14	7000	116	118
351525	LS.A-25-14-SST-M16x108	356525	LS.A-25-14-AS-SST-M16x108	25	M16	132	135	108	24	12	16	14	7000	167	169
351541	LS.A-25-14-SST-M16x148	356541	LS.A-25-14-AS-SST-M16x148	25	M16	172	175	148	24	12	16	14	7000	220	222
351561	LS.A-25-14-SST-M16x168	356561	LS.A-25-14-AS-SST-M16x168	25	M16	192	195	168	24	12	16	14	7000	247	249

* The max static load is the value above which the load applied to the element may cause some plastic material breakage, in particular conditions of use. Obviously, a factor that takes into consideration the importance and the safety level of the specific application must be applied to this value.

Data with no-slip disk mounted.



LS.A-SST				LS.A-AS-SST				INOX STAINLESS STEEL							
Code	Description	Code	Description	D	d	L	L1#	l	li	h	s	Articulation ∅	Max. limit stati load* [N]	⚖	⚖#
352121	LS.A-32-14-SST-M8x43	357121	LS.A-32-14-AS-SST-M8x43	32	M8	68	71	43	25	15	14	14	9000	38	42
352125	LS.A-32-14-SST-M8x68	357125	LS.A-32-14-AS-SST-M8x68	32	M8	93	96	68	25	15	14	14	9000	48	52
352221	LS.A-32-14-SST-M10x43	357221	LS.A-32-14-AS-SST-M10x43	32	M10	68	71	43	25	15	14	14	9000	48	52
352225	LS.A-32-14-SST-M10x68	357225	LS.A-32-14-AS-SST-M10x68	32	M10	93	96	68	25	15	14	14	9000	61	65
352231	LS.A-32-14-SST-M10x98	357231	LS.A-32-14-AS-SST-M10x98	32	M10	123	126	98	25	15	14	14	9000	75	79
352321	LS.A-32-14-SST-M12x43	357321	LS.A-32-14-AS-SST-M12x43	32	M12	68	71	43	25	15	14	14	9000	58	62
352325	LS.A-32-14-SST-M12x68	357325	LS.A-32-14-AS-SST-M12x68	32	M12	93	96	68	25	15	14	14	9000	78	82
352331	LS.A-32-14-SST-M12x98	357331	LS.A-32-14-AS-SST-M12x98	32	M12	123	126	98	25	15	14	14	9000	98	102
352421	LS.A-32-14-SST-M14X68	357421	LS.A-32-14-AS-SST-M14X68	32	M14	93	96	68	25	15	14	14	9000	95	99
352431	LS.A-32-14-SST-M14X98	357431	LS.A-32-14-AS-SST-M14X98	32	M14	123	126	98	25	15	14	14	9000	116	120
352441	LS.A-32-14-SST-M14X148	357441	LS.A-32-14-AS-SST-M14X148	32	M14	173	176	148	25	15	14	14	9000	199	203
352521	LS.A-32-14-SST-M16x68	357521	LS.A-32-14-AS-SST-M16x68	32	M16	93	97	68	25	15	16	14	9000	121	125
352525	LS.A-32-14-SST-M16x108	357525	LS.A-32-14-AS-SST-M16x108	32	M16	133	137	108	25	15	16	14	9000	175	179
352541	LS.A-32-14-SST-M16x148	357541	LS.A-32-14-AS-SST-M16x148	32	M16	173	176	148	25	15	16	14	9000	228	232
352561	LS.A-32-14-SST-M16x168	357561	LS.A-32-14-AS-SST-M16x168	32	M16	193	196	168	25	15	16	14	9000	255	259
353121	LS.A-40-14-SST-M8x43	358121	LS.A-40-14-AS-SST-M8x43	40	M8	68	71	43	25	17	14	14	13000	42	49
353125	LS.A-40-14-SST-M8x68	358125	LS.A-40-14-AS-SST-M8x68	40	M8	93	96	68	25	17	14	14	13000	52	59
353221	LS.A-40-14-SST-M10x43	358221	LS.A-40-14-AS-SST-M10x43	40	M10	68	71	43	25	17	14	14	13000	52	59
353225	LS.A-40-14-SST-M10x68	358225	LS.A-40-14-AS-SST-M10x68	40	M10	93	96	68	25	17	14	14	13000	65	72
353231	LS.A-40-14-SST-M10x98	358231	LS.A-40-14-AS-SST-M10x98	40	M10	123	126	98	25	17	14	14	13000	79	86
353321	LS.A-40-14-SST-M12x43	358321	LS.A-40-14-AS-SST-M12x43	40	M12	68	71	43	25	17	14	14	13000	62	69
353325	LS.A-40-14-SST-M12x68	358325	LS.A-40-14-AS-SST-M12x68	40	M12	93	96	68	25	17	14	14	13000	80	87
353331	LS.A-40-14-SST-M12x98	358331	LS.A-40-14-AS-SST-M12x98	40	M12	123	126	98	25	17	14	14	13000	102	109
353421	LS.A-40-14-SST-M14X68	358421	LS.A-40-14-AS-SST-M14X68	40	M14	93	96	68	25	17	14	14	13000	95	102
353431	LS.A-40-14-SST-M14X98	358431	LS.A-40-14-AS-SST-M14X98	40	M14	123	126	98	25	17	14	14	13000	116	123
353441	LS.A-40-14-SST-M14X148	358441	LS.A-40-14-AS-SST-M14X148	40	M14	173	176	148	25	17	14	14	13000	199	206
353521	LS.A-40-14-SST-M16x68	358521	LS.A-40-14-AS-SST-M16x68	40	M16	93	96	68	25	17	16	14	13000	125	132
353525	LS.A-40-14-SST-M16x108	358525	LS.A-40-14-AS-SST-M16x108	40	M16	133	136	108	25	17	16	14	13000	179	186
353541	LS.A-40-14-SST-M16x148	358541	LS.A-40-14-AS-SST-M16x148	40	M16	173	176	148	25	17	16	14	13000	232	239
353561	LS.A-40-14-SST-M16x168	358561	LS.A-40-14-AS-SST-M16x168	40	M16	193	196	168	25	17	16	14	13000	259	266
354121	LS.A-50-14-SST-M8x43	359121	LS.A-50-14-AS-SST-M8x43	50	M8	70	73	43	27	19	14	14	13000	49	61
354125	LS.A-50-14-SST-M8x68	359125	LS.A-50-14-AS-SST-M8x68	50	M8	95	98	68	27	19	14	14	13000	59	71
354221	LS.A-50-14-SST-M10x43	359221	LS.A-50-14-AS-SST-M10x43	50	M10	70	73	43	27	19	14	14	13000	59	71
354225	LS.A-50-14-SST-M10x68	359225	LS.A-50-14-AS-SST-M10x68	50	M10	95	98	68	27	19	14	14	13000	72	84
354231	LS.A-50-14-SST-M10x98	359231	LS.A-50-14-AS-SST-M10x98	50	M10	125	128	98	27	19	14	14	13000	86	98
354321	LS.A-50-14-SST-M12x43	359321	LS.A-50-14-AS-SST-M12x43	50	M12	70	73	43	27	19	14	14	13000	69	81
354325	LS.A-50-14-SST-M12x68	359325	LS.A-50-14-AS-SST-M12x68	50	M12	95	98	68	27	19	14	14	13000	87	99
354331	LS.A-50-14-SST-M12x98	359331	LS.A-50-14-AS-SST-M12x98	50	M12	125	128	98	27	19	14	14	13000	109	121
354421	LS.A-50-14-SST-M14X68	359421	LS.A-50-14-AS-SST-M14X68	50	M14	95	98	68	27	19	14	14	13000	102	114
354431	LS.A-50-14-SST-M14X98	359431	LS.A-50-14-AS-SST-M14X98	50	M14	125	128	98	27	19	14	14	13000	123	135
354441	LS.A-50-14-SST-M14X148	359441	LS.A-50-14-AS-SST-M14X148	50	M14	175	178	148	27	19	14	14	13000	206	218
354521	LS.A-50-14-SST-M16x68	359521	LS.A-50-14-AS-SST-M16x68	50	M16	95	98	68	27	19	16	14	13000	132	144
354525	LS.A-50-14-SST-M16x108	359525	LS.A-50-14-AS-SST-M16x108	50	M16	135	138	108	27	19	16	14	13000	185	197
354541	LS.A-50-14-SST-M16x148	359541	LS.A-50-14-AS-SST-M16x148	50	M16	175	178	148	27	19	16	14	13000	239	251
354561	LS.A-50-14-SST-M16x168	359561	LS.A-50-14-AS-SST-M16x168	50	M16	195	198	168	27	19	16	14	13000	266	278

* The max static load is the value above which the load applied to the element may cause some plastic material breakage, in particular conditions of use. Obviously, a factor that takes into consideration the importance and the safety level of the specific application must be applied to this value.

Data with no-slip disk mounted.

Levelling elements and supports