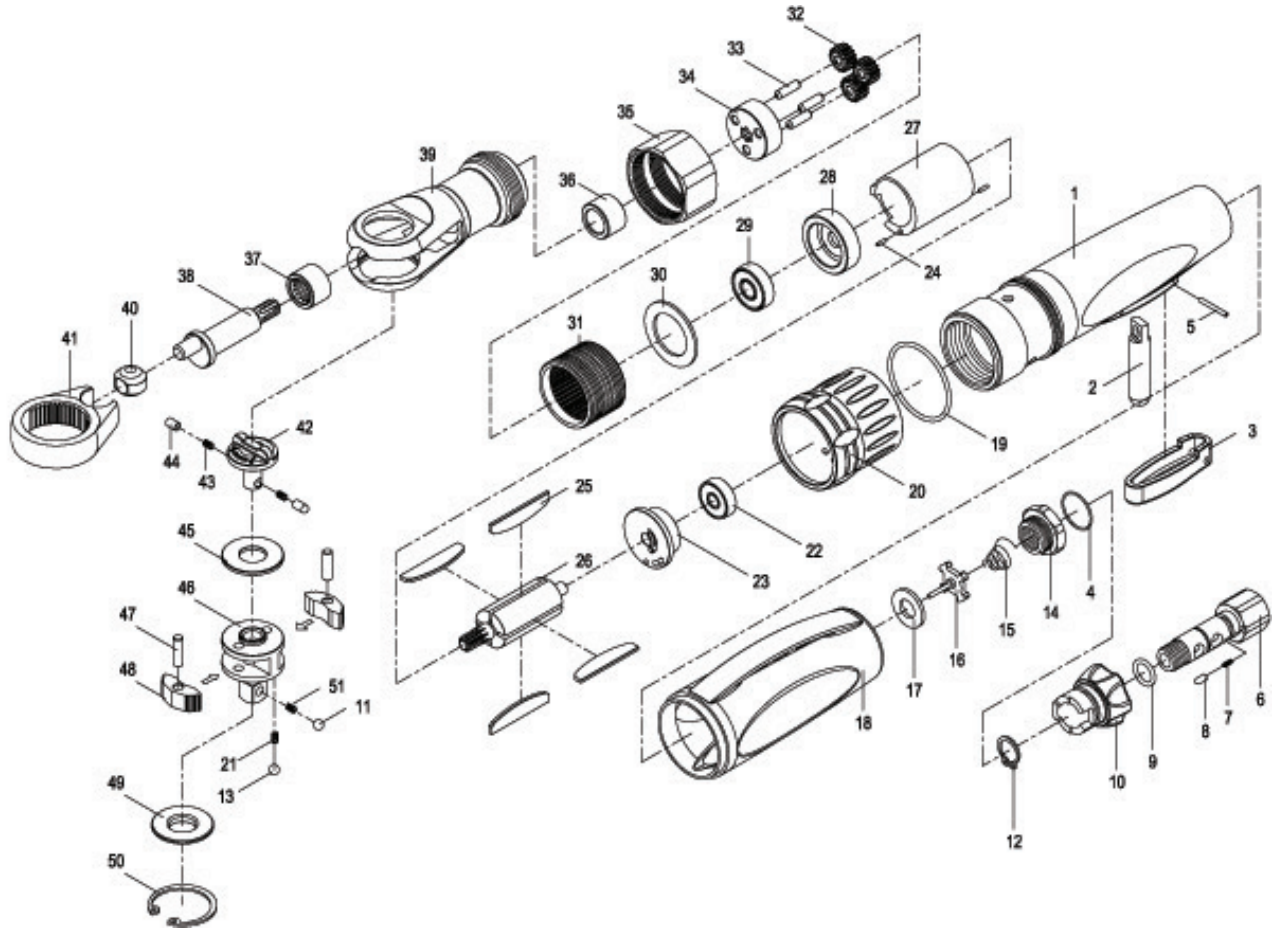




Parts Information:
Air Ratchet Wrench 3/8" Sq Drive
Model No: GSA20



NOTE: It is our policy to continually improve products and as such we reserve the right to alter data, specifications and component parts without prior notice.

IMPORTANT: No liability is accepted for incorrect use of product.

WARRANTY: Guarantee is 12 months from purchase date, proof of which will be required for any claim.

Sealey Group, Kempson Way, Suffolk Business Park, Bury St Edmunds, Suffolk. IP32 7AR



01284 757500



01284 703534



sales@sealey.co.uk



www.sealey.co.uk



Parts Information:
Air Ratchet Wrench 3/8" Sq Drive
Model No: GSA20

Item	Part No.	Description
1	GSA20.01	MOTOR HOUSING
2	GSA20.02	VALVE STEM
3	GSA20.03	THROTTLE LEVER
4	GSA20.04	O-RING
5	GSA20.05	LEVER PIN
6	GSA20.06	AIR INLET
7	GSA20.07	SPRING
8	GSA20.08	LOCK PIN
9	GSA20.09	O-RING
10	GSA20.10	AIR REGULATOR
11	GSA20.46	ANVIL 3/8" (c/w STEEL BALL)
12	GSA20.12	RETAINER RING
13	GSA20.54	STEEL BALL 5/62" (PACK OF 2)
14	GSA20.14	AIR INLET ADAPTOR
15	GSA20.15	VALVE SPRING
16	GSA20.16	THROTTLE LEVER
17	GSA20.17	VALVE SEAT
18	GSA20.18	PLASTIC GRIP
19	GSA20.19	O-RING
20	GSA20.20	EXHAUST DEFLECTOR (SO)
21	GSA20.53	SPRING (PACK OF 2)
22	B/626ZZ	BEARING 626ZZ
23	GSA20.23	REAR END PLATE
24	GSA20.24	SPRING PIN M1.6 X 12
25	GSA20.25	ROTOR BLADE (PACK OF 4)
26	GSA20.26	ROTOR
27	GSA20.27	CYLINDER

Item	Part No.	Description
28	GSA20-28	FRONT END PLATE
29	B/608ZZ	BEARING 608ZZ
30	GSA20.30	SEAL RING
31	GSA20.31	THREAD RING GEAR
32	GSA20.32	PLANET GEAR (PACK OF 3)
33	GSA20.33	PIN
34	GSA20.34	GEAR PLATE
35	GSA20.35	CAP
36	GSA20.36	BUSHING
37	B/HK1212	NEEDLE BEARING HK1212
38	GSA20.38	CRANK SHAFT
39	GSA20.39	RATCHET HOUSING
40	GSA20.40	DRIVE BUSHING
41	GSA20.41	RATCHET YOKE
42	GSA20.42	REVERSE BUTTON
43	GSA20.43	SPRING (PACK OF 2)
44	GSA20.44	LOCK PIN (PACK OF 2)
45	GSA20.45	WASHER BLACK M12X28
46	GSA20.46	ANVIL 3/8" (c/w STEEL BALL)
47	GSA20.47	PIN (PACK OF 2)
48	GSA20.48	RATCHET PAWL (PACK OF 2)
49	GSA20.49	THRUST WASHER M12
50	GSA20.50	RETAINER RING
51	GSA20.51	SPRING
42	GSA20.46	ANVIL 3/8" (c/w STEEL BALL)
53	GSA20.53	SPRING (PACK OF 2)
54	GSA20.54	STEEL BALL 5/62" (PACK OF 2)

NOTE: It is our policy to continually improve products and as such we reserve the right to alter data, specifications and component parts without prior notice.

IMPORTANT: No liability is accepted for incorrect use of product.

WARRANTY: Guarantee is 12 months from purchase date, proof of which will be required for any claim.

Sealey Group, Kempson Way, Suffolk Business Park, Bury St Edmunds, Suffolk. IP32 7AR



01284 757500



01284 703534



sales@sealey.co.uk



www.sealey.co.uk