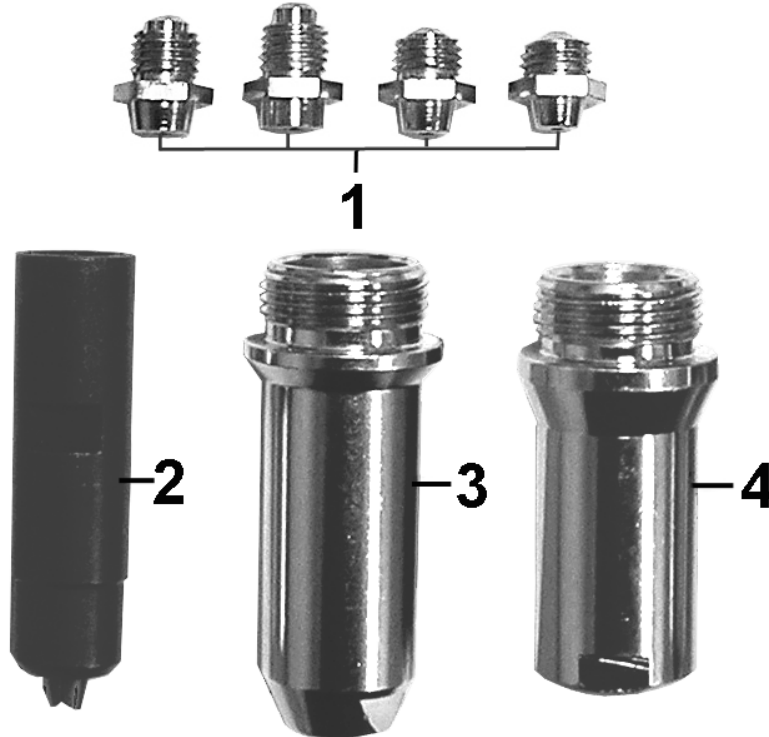


4. MAINTENANCE

- 4.1.1. Keep all pivots lightly oiled.
 4.1.2. The jaw case assembly should be cleaned and oiled at regular intervals, depending on the frequency of use.
 The need for cleaning / jaw replacement will be indicated by the riveter failing to grip the rivet shaft.

PARTS FOR:

THREADED NUT RIVET KIT - MODEL NO: AK396.V2



Item	Part No.	Description
1	AK396.V2-01	Adaptor nosepieces (x4)
2	AK396.V2-02	Jaw case
3	AK396.V2-03	Riveter sleeve
4	AK396.V2-04	Nut sleeve

Also available - Aluminium threaded rivets.

Model No.	Thread	Quantity	Sheet Thickness
AK396/1	M3 x 0.5	50	0.25 - 1.5mm
AK396/2	M4 x 0.7	50	0.5 - 2.5mm
AK396/3	M5 x 0.8	50	0.5 - 2.5mm
AK396/4	M6 x 1.0	15	1.0 - 4.0mm

Declaration of Conformity We, the sole importer into the UK, declare that the products listed here are in conformity with the following standards and directives.

THREADED NUT RIVET KIT
Model: AK396.V2
 98/37/EC Machinery Directive
 93/68/EEC Marking Directive



The construction files for these products are held by the Manufacturer and may be inspected, by a national authority, upon request to Jack Sealey Ltd.

Signed by Mark Sweetman

7th December 2005

For Jack Sealey Ltd.
 Sole importer into the UK
 of Sealey Power Products.

NOTE: It is our policy to continually improve products and as such we reserve the right to alter data, specifications and component parts without prior notice.

IMPORTANT: No liability is accepted for incorrect use of this product.

WARRANTY: Guarantee is 12 months from purchase date, proof of which will be required for any claim.

INFORMATION: For a copy of our catalogue and latest promotions call us on 01284 757525 and leave your full name, address and postcode.



Sole UK Distributor
Sealey Group,
 Bury St. Edmunds, Suffolk.

01284 757500

01284 703534



www.sealey.co.uk



sales@sealey.co.uk