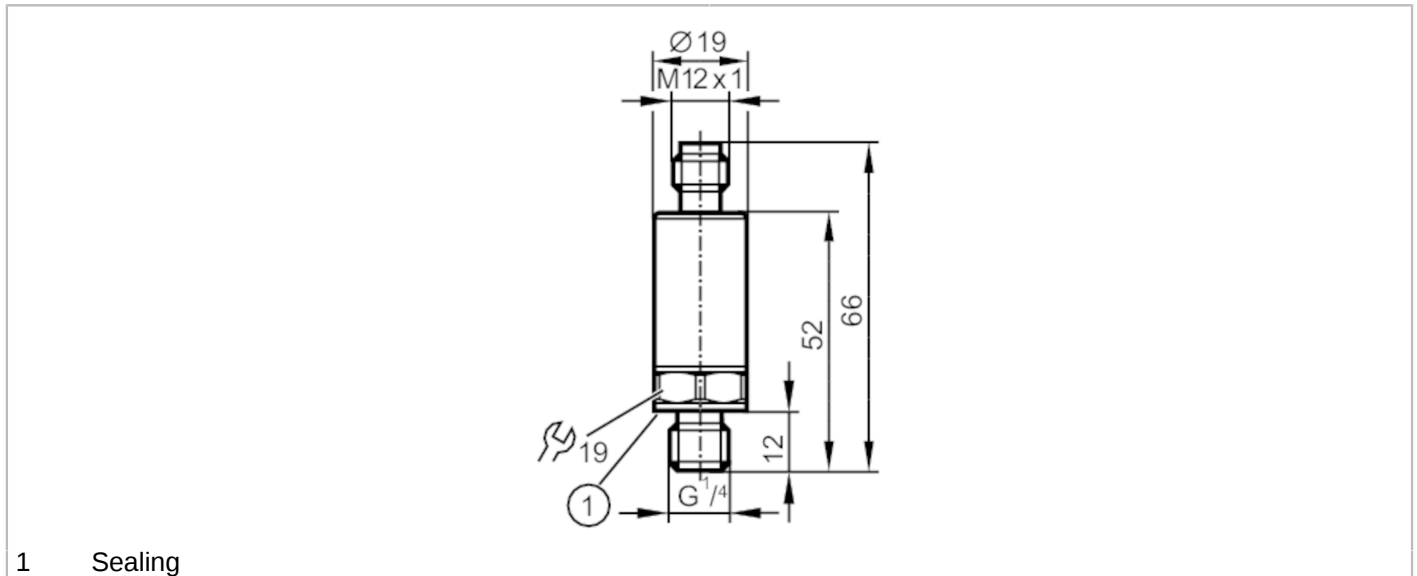


PU5401



Pressure transmitter

PU-250-SEG14-B-DVG/US/ IW



Product characteristics

Output signal	analogue signal		
Measuring range	0...250 bar	0...3625 psi	0...25 MPa
Process connection	threaded connection G 1/4 external thread (DIN EN ISO 1179-2)		

Application

Application	for industrial applications		
Media	liquids and gases		
Medium temperature [°C]	-40...90		
Pressure rating	625 bar	9060 psi	62.5 MPa
Note on pressure rating	static		
Min. bursting pressure	1200 bar	17400 psi	120 MPa
Vacuum resistance [mbar]	-1000		
Type of pressure	relative pressure		

Electrical data

Operating voltage [V]	16...36 DC		
Current consumption [mA]	< 12		
Min. insulation resistance [MΩ]	100; (500 V DC)		
Protection class	III		
Reverse polarity protection	yes		

Inputs / outputs

Number of inputs and outputs	Number of analogue outputs: 1		
------------------------------	-------------------------------	--	--

PU5401



Pressure transmitter

PU-250-SEG14-B-DVG/US/ IW

Outputs				
Total number of outputs		1		
Output signal		analogue signal		
Number of analogue outputs		1		
Analogue voltage output [V]		0...10		
Min. load resistance [Ω]		2000		
Short-circuit proof		yes		
Overload protection		yes		
Measuring/setting range				
Measuring range		0...250 bar	0...3625 psi	0...25 MPa
Accuracy / deviations				
Repeatability [% of the span]		< $\pm 0,05$; (with temperature fluctuations < 10 K)		
Characteristics deviation [% of the span]		< $\pm 0,5$; (incl. drift when overtightened, zero point and span error, non-linearity, hysteresis)		
Linearity deviation [% of the span]		< $\pm 0,1$ (BFSL) / < $\pm 0,2$ (LS)		
Hysteresis deviation [% of the span]		< $\pm 0,2$		
Long-term stability [% of the span]		< $\pm 0,1$; (per 6 months)		
Temperature coefficient zero point and span [% of the span / 10 K]		< $\pm 0,1$ (-25...90 °C) / < $\pm 0,2$ (-40...-25 °C)		
Response times				
Step response time analogue output [ms]		1		
Operating conditions				
Ambient temperature [°C]		-40...90		
Storage temperature [°C]		-40...100		
Protection		IP 67; IP 69K		
Tests / approvals				
EMC		DIN EN 61000-6-2		
		DIN EN 61000-6-3		
Shock resistance		DIN EN 60068-2-27	50 g (11 ms)	
Vibration resistance		DIN EN 60068-2-6	20 g (10...2000 Hz)	
MTTF [years]		762		
UL approval		UL Approval no.	J030	
Pressure Equipment Directive		Sound engineering practice; can be used for group 2 fluids; group 1 fluids on request		

PU5401



Pressure transmitter

PU-250-SEG14-B-DVG/US/ IW

Mechanical data	
Weight [g]	59.5
Materials	1.4542 (17-4 PH / 630); stainless steel (1.4404 / 316L); PEI
Materials (wetted parts)	1.4542 (17-4 PH / 630)
Min. pressure cycles	60 million; (at 1.2 times nominal pressure)
Tightening torque [Nm]	25...35; (recommended tightening torque; depends on lubrication, seal and pressure rating)
Process connection	threaded connection G 1/4 external thread (DIN EN ISO 1179-2)
Process connection sealing	FKM (to DIN 3869)
Restrictor element integrated	no (can be retrofitted)

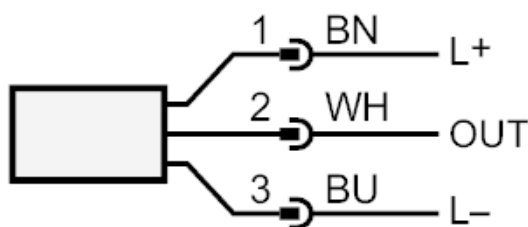
Remarks	
Remarks	BFSL = Best Fit Straight Line LS = limit value setting
Pack quantity	1 pcs.

Electrical connection

Connector: 1 x M12



Connection



OUT analogue output
 colours to DIN EN 60947-5-2
 Core colours :

BN = brown
BU = blue
WH = white