

## M12 male 0° / M12 male 0° shielded X-cod. Gigabit

PUR 4x2xAWG26 shielded gn UL/CSA 7,5m

Ethernet

10 Gbit/s

Male straight to male straight

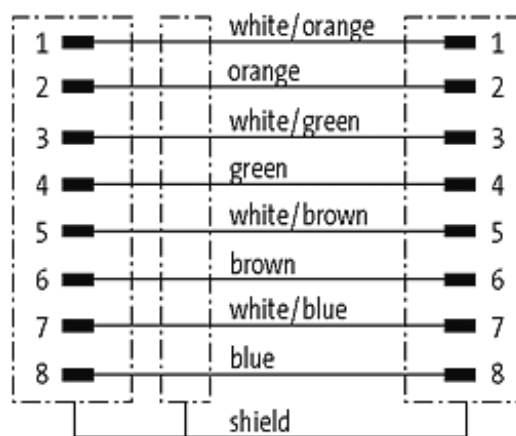
M12 - M12

8-pole, shielded

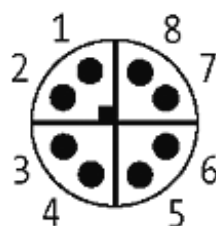
Further cable lengths on request. Plastic housings with good resistance against chemicals and oils. The resistance to aggressive media should be individually tested for your application. Further details on request.

### [Link to Product](#)

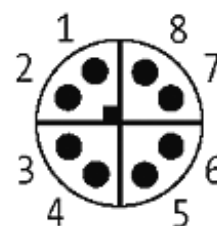
#### Illustration

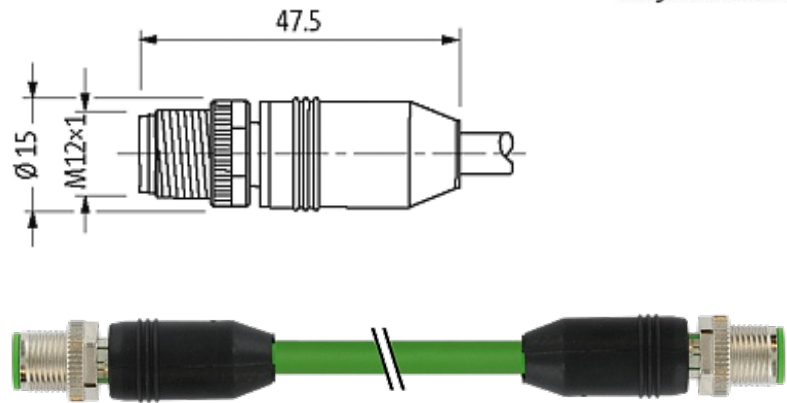


Male



Male





Product may differ from Image

### More Info



### Form

51001

### Technical Data

Operating voltage	50 V AC/60 V DC
Operating current per contact	max. 0.5 A
Locking of ports	Screw thread M12 × 1 mm (recommended torque 0.6 Nm) self-securing
Protection	IP67 inserted and tightened (EN 60529)

### Cables

Cable number	790
No./diameter of wires	4 × 2 × 0.14 mm <sup>2</sup>
Wire isolation	PP (whbl, bl, whor, or, whgn, gn, whbr, br)
Jacket Color	green
Shore hardness outer jacket	85 ± 5A
Material (jacket)	PUR (UL/CSA)
Outer diameter	approx. 6.5 mm
Bend radius (fixed)	8 × outer Ø
Bend radius (moving)	12 × outer Ø
Temperature range (fixed)	-30...+80 °C
Temperature range (mobile)	-10...+50 °C
Shielded	yes

### General data

Temperature range	-25...+85 °C, depending on cable quality
-------------------	--

### Commercial data

country of origin	DE
-------------------	----

customs tariff number 85444290

---

minimum order quantity 1