

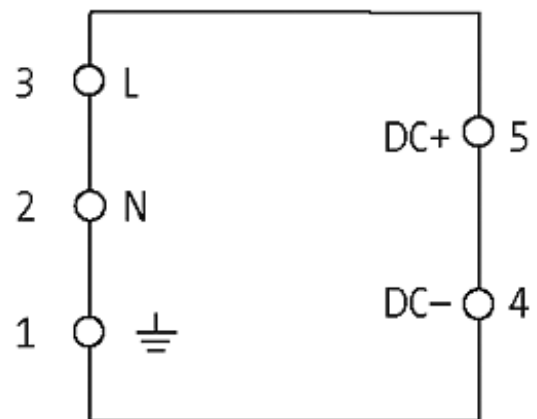
MCS-B POWER SUPPLY 1-PHASE,

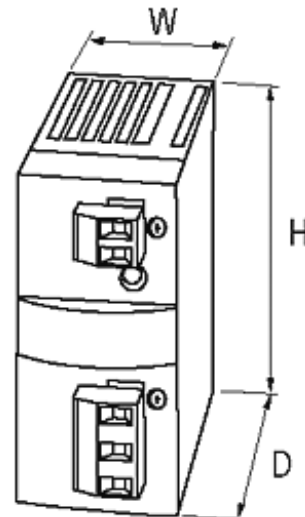
IN: 90-265VAC OUT: 12-15V/1ADC

INPUT: 90...265 V AC

OUTPUT: 12 V DC \pm 1%

Current: 1 A

[Link to Product](#)**Illustration**



Product may differ from Image

Input

Input voltage	90...265 V AC; 110...300 V DC
Input current	0.29 A (115 V AC); 0.16 A (230 V AC)
Inrush current after 1 ms	max. 20 A
Primary fusing external	max. 10 A
Frequency	50...60 Hz

General data

Standards	(EN 60950-1), (EN 61204-3), (EN 55022 B), (EN 61000-3-2)
Relative humidity	5...95 %, no condensation
Efficiency	77 %
Dimensions H × W × D	76×38×87.5 mm
Mounting method	DIN-rail mountable TH35 (EN 60715)
Temperature range	0...+50 °C, ...+60 °C derating (storage temperature -25...+85 °C)

Output

Output voltage	12 V DC (SELV), ±1 %; 12...15 V adjustable
Output current	1 A (+50 °C); 0.8 A (+60 °C)
Mains failure bridging time	min. 20 ms (115 V AC); min. 150 ms (230 V AC)
Ripple	max. 50 mVrms
Spikes	max. 300 mV p-p
Unit protection	short-circuit and overload protected
LED display	LED (green) for output voltage
Parallel usage/serial usage	no/yes (max. 2 units)

Commercial data

country of origin	CZ
customs tariff number	85044090
minimum order quantity	1