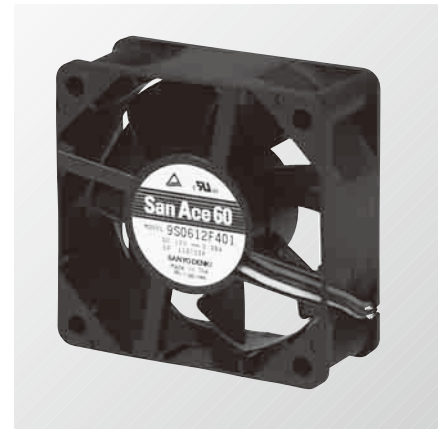


**60**mm sq.

# San Ace 60

25mm thick (S type)



**General Specifications** With a pulse sensor Specifications for pulse sensors ⇔ Refer to Page 309

- Material ..... Frame: Plastics (Flammability: UL94V-0),  
Impeller: Plastics (Flammability: UL94V-1)
- Expected Life ..... Varies for each model (L10: Survival rate: 90% at 60°C, rated voltage, and continuously run in a free air state)
- Lead Wire ..... ⊕red ⊖black Sensor yellow
- Storage Temperature ..... -30°C to +70°C (Non-condensing)

**60×60×25mm** (Mass : 55g)

**S type**

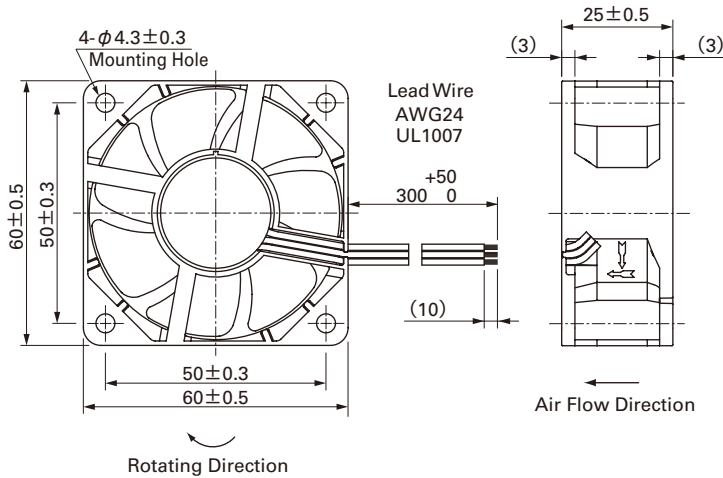
**Specifications** To order a ribless type, replace the last digits of a model number with digits in parenthesis.

Model No.	Rated Voltage [V]	Operating Voltage Range [V]	Rated Current [A]	Rated Input [W]	Rated Speed [min <sup>-1</sup> ]	Max. Air Flow [m <sup>3</sup> /min] [CFM]	Max. Static Pressure [Pa] [inchH <sub>2</sub> O]	SPL [dB(A)]	Operating Temperature [°C]	Expected Life [h]		
9S0612S401(4011)	12	5.0 to 13.8	0.20	2.40	5,000	0.74	26.1	65.7	0.26	31	-10 to +70	40,000
9S0612H401(4011)			0.11	1.32	3,900	0.58	20.5	40.0	0.16	24		
9S0612F401(4011)		6.0 to 13.8	0.08	0.96	3,300	0.49	17.3	29.3	0.12	20		
9S0612M401(4011)			0.07	0.84	2,700	0.40	14.1	19.7	0.08	16		

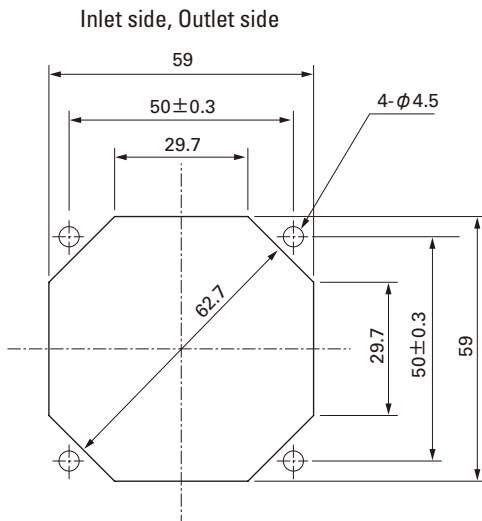
Without Sensor Pulse Sensor Available upon request for all the models above.

Lock Sensor PWM Control Please inquire as the availability of these functions depend on the model.

**Dimensions (Unit : mm)** (With ribs)



**Reference dimension of mounting holes and vent opening (Unit : mm)**



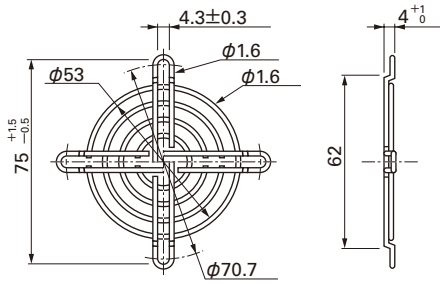
## Options (Unit : mm)

### Finger guards

Model : 109-139E Surface treatment : Nickel-chrome plating (silver)  
 : 109-139H : Cation electropainting (black)

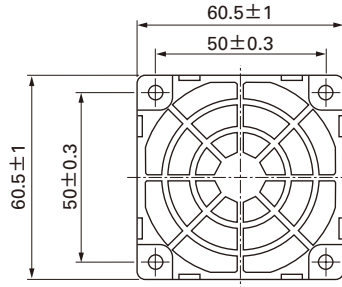
Color

Inlet side, Outlet side



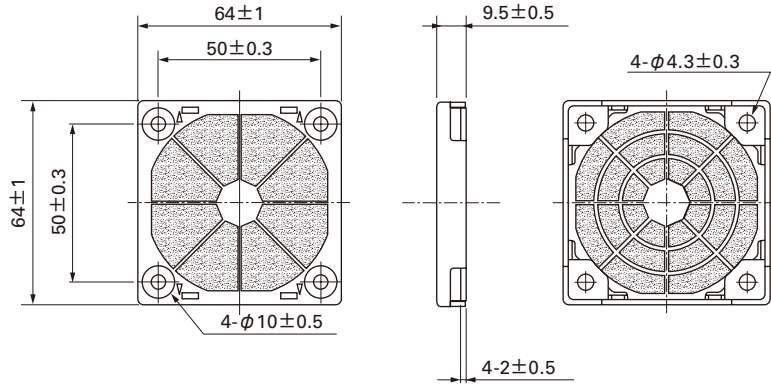
### Resin finger guards

Model : 109-1003G



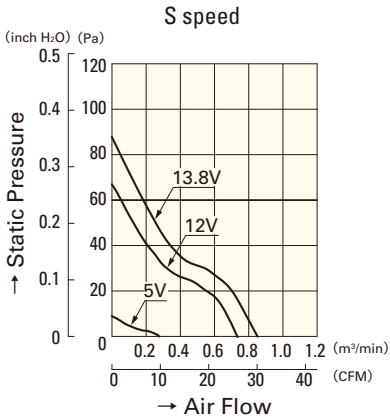
### Resin filter kits

Model : 109-1003F13 (13PPI), 109-1003F20 (20PPI)  
 : 109-1003F30 (30PPI), 109-1003F40 (40PPI)

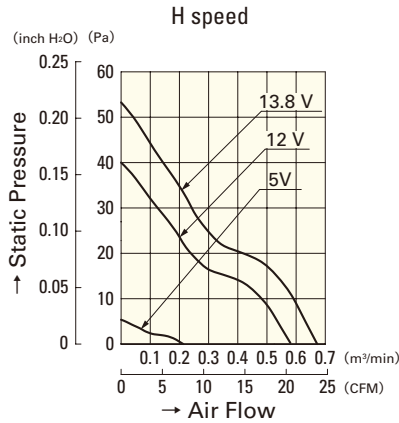


Silent Fan 60mm

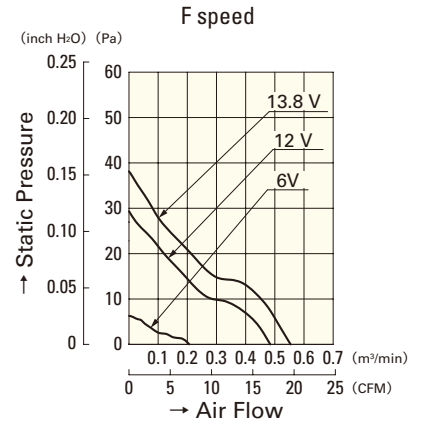
## Air Flow - Static Pressure Characteristics



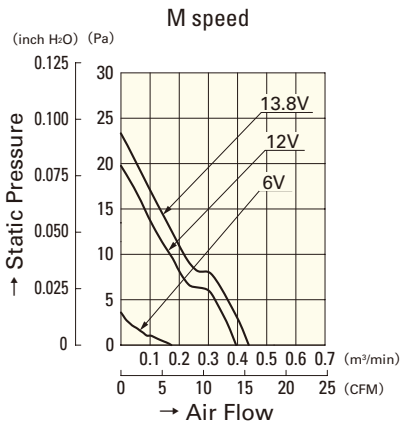
**9S0612S401(4011)**



**9S0612H401(4011)**



**9S0612F401(4011)**



**9S0612M401(4011)**

60mm