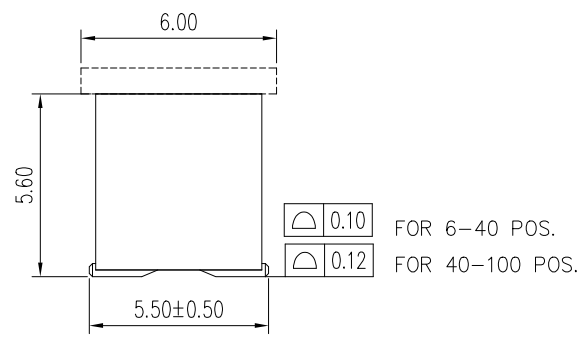


TABLE 1 ,DIM INFORMATION

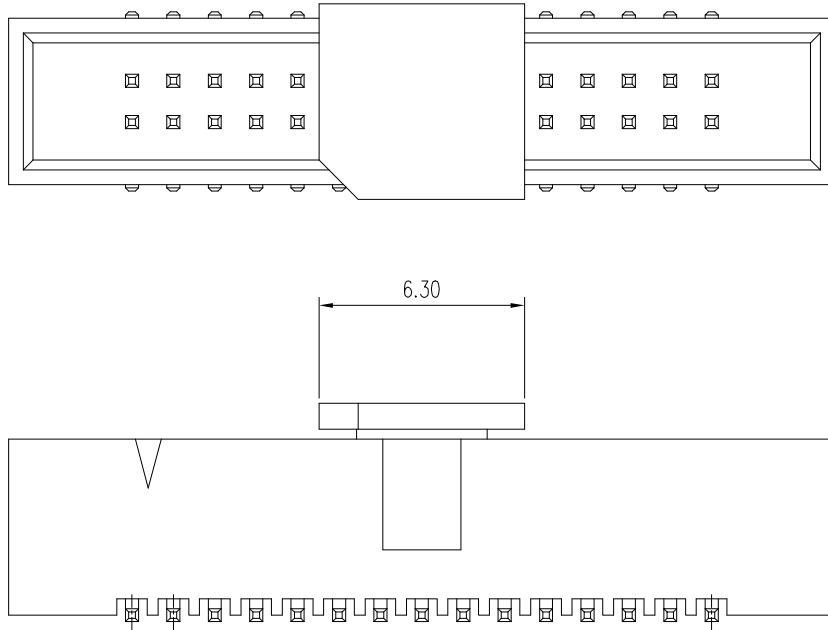
DASH No.	Dim.	Amount of Pins	Dim.A	Dim.B
-00X 06 XX LF	06	06	2.54	10.11
-00X 08 XX LF	08	08	3.81	11.38
-00X 10 XX LF	10	10	5.08	12.65
-00X 12 XX LF	12	12	6.35	13.92
-00X 14 XX LF	14	14	7.62	15.19
-00X 16 XX LF	16	16	8.89	16.46
-00X 20 XX LF	20	20	11.43	19.00
-00X 22 XX LF	22	22	12.70	20.27
-00X 26 XX LF	26	26	15.24	22.81

DASH No.	Dim.	Amount of Pins	Dim.A	Dim.B
-00X 30 XX LF	30	30	17.78	25.35
-00X 34 XX LF	34	34	20.32	27.89
-00X 40 XX LF	40	40	24.13	31.70
-00X 44 XX LF	44	44	26.67	34.24
-00X 50 XX LF	50	50	30.48	38.05
-00X 60 XX LF	60	60	36.83	44.40
-00X 64 XX LF	64	64	39.37	46.94
-00X 68 XX LF	68	68	41.91	49.48
-00X 80 XX LF	80	80	49.53	57.10
-00X A0 XX LF	100	100	62.23	69.90



DIM. A	2-60 PINS	± 0.20
	62-100 PINS	± 0.30

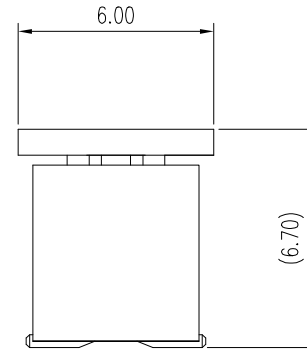
mat'l. code		surface ISO 1302 ✓		tolerance ISO 406 ISO 1101		projection		product family	
ltr		ecn no		dr		date		MINITEK	
H		ELX-N-011951		ZK		2012-06-15		title	
J		ELX-N-14099		TIM		2013-02-25		1.27X1.27MM BTB HEADER SHROUDED SMT	
K		ELX-N-17601		TIM		2014-04-30		dwg no	
L		ELX-N-19182		TIM		2014-10-24		sheet 1 of 2	
M		ELX-N-28314		TONY		2017-10-31		size	
G		ELX-N-011182		ZK		2012-03-31		A3	
sheet		revision		M		M		type	
index		sheet		1		2		Product Customer Drawing	



CONFIG 1: 20021521-001XXXXLF
WITH EDGE CUT CAP, OTHER DIMENSIONS SEE SHEET 1

NOTE:

1. MATERIAL,
HOUSING: HIGH TEMP PLASTIC, UL94-V0, BLACK
TERMINAL: COPPER ALLOY , SQ=0.40±0.03MM
2. FINISH:
TERMINAL: SEE PN STRUCTURE.
3. SPEC.:
PRODUCT SPEC: GS-12-629
PACKING SPEC: GS-14-1420
4. THE HSG. WILL WITHSTAND EXPOSURE TO 260C
PEAK TEMP. FOR 10 SEC. IN A CONVECTION, INFRA-RED
OR VAPOR PHASE REFLOW OVEN.
5. PRODUCT NUMBERING:
20021521 - 0 0 X XX X X LF



- LEAD FREE
- PLATING:
1: GOLD FLASH, ALL OVER
4: 0.25um(10U")GOLD AT CONTACT
8: 0.76um(30U")GOLD AT CONTACT
9: 1u" GOLD OVER 30u" PdNi AT CONTACT
- PACKING
T: TUBE
D: TUBE+CAP
C: REEL+CAP(P: 12mm)
E: REEL+CAP(P: 16mm)
- PIN COUNT
SEE TABLE 1
- CONFIG
0: NO CAP OR WITH NYLON CAP
1: WITH LCP CAP

mat'l. code		surface ISO 1302 ✓		tolerance ISO 406 ISO 1101		projection 1101		product family MINITEK			
ltr	ecn no	dr	date	tolerances unless otherwise specified		mm		title 1.27X1.27MM BTB HEADER SHROUDED SMT			
				angles	linear	mm		scale 5:1		dwg no 20021521	
				0°±2'						sheet 2 of 2	
				dr	STERLING LIN	2009-09-15		Amphenol FCI		size A3	
				eng	STERLING LIN	2009-09-15					
				chr	GRAY HSIEH	2009-09-15					
				appd	JOSEPH	2009-09-15				type Product Customer Drawing	
sheet index	revision sheet	M	M								
		1	2								