

# 5mm Screw PCB Terminal Modular

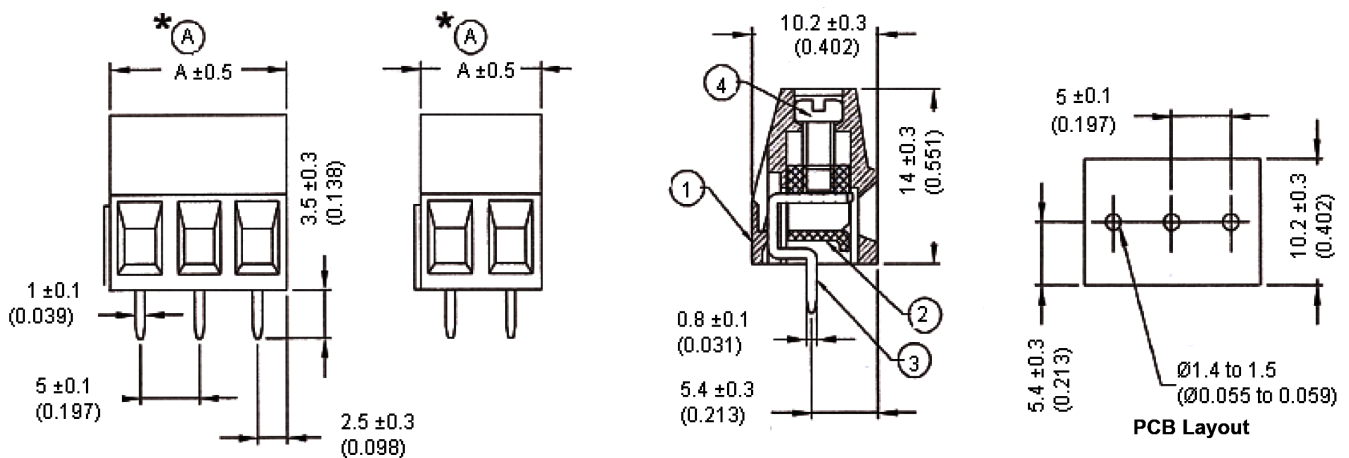
**multicomp** PRO

**RoHS  
Compliant**



## Specifications:

Rating Current	: 16A, 300V AC
Min. Insulation withstand Voltage	: 2,000V AC
Insulation Resistance	: >2,000 MΩ 500V DC
Operating Temperature	: -40°C to +105°C
Wire Strip Length	: 4 to 5 mm
Wire Range	: 12 to 26 AWG
Screw Torque	: 7 lb-inch
UL Rating	: UL94-V0



Dimensions : Millimetres (Inches)

## Specification Table

No	Material	Plating / Finish	Remark
1	Insulating body	Polyamide 66	-
2	Cage clamp	Steel	Ni plated
3	Terminal	Brass	Tin plated
4	Screw	Steel	Ni plated

## Part Number Table

Description	*A mm (Inches)	Part Number
Terminal Black PCB 5mm Modular 02 Way	10 (0.394)	MC000046
Terminal Black PCB 5mm Modular 03 Way	15 (0.591)	MC000047

**Important Notice** : This data sheet and its contents (the "Information") belong to the members of the AVNET group of companies (the "Group") or are licensed to it. No licence is granted for the use of it other than for information purposes in connection with the products to which it relates. No licence of any intellectual property rights is granted. The Information is subject to change without notice and replaces all data sheets previously supplied. The Information supplied is believed to be accurate but the Group assumes no responsibility for its accuracy or completeness, any error in or omission from it or for any use made of it. Users of this data sheet should check for themselves the Information and the suitability of the products for their purpose and not make any assumptions based on information included or omitted. Liability for loss or damage resulting from any reliance on the Information or use of it (including liability resulting from negligence or where the Group was aware of the possibility of such loss or damage arising) is excluded. This will not operate to limit or restrict the Group's liability for death or personal injury resulting from its negligence. Multicomp Pro is the registered trademark of Premier Farnell Limited 2019.

Newark.com/multicomp-pro  
Farnell.com/multicomp-pro  
Element14.com/multicomp-pro

**multicomp** PRO