



Series X55X Universal Zero Insertion Force DIP Test Socket

FEATURES:

- Aries' Universal Test Socket accepts devices on .300 to .600 [7.62 to 15.24] centers.
- All pin count sockets go into PCB with either .300 or .600 [7.62 to 15.24] centers.
- Contacts are normally closed to eliminate dependence on plastic to sustain contact.
- Socket handle can be configured with closed contacts (on) when in the UP or DOWN position, and can be mounted on either the right or left side.
- Sockets can be soldered into PCBs or plugged into any socket. Socket fits into Aries' or any competitive test socket receptacle.

SPECIFICATIONS:

- Socket body is black UL 94V-0 Glass-filled Polyphenylene Sulfide (PPS).
- Handle is Stainless Steel.
- Handle knob is Brass Alloy 360, 1/2 hard.
- Contacts are Beryllium Copper Alloy 172 per QQ-C-533 or Spinodal Alloy.
- All Beryllium Copper Alloy contacts have a 50µ" [1.27µm] min. Nickel underplate per QQ-N-290, overlaid with either:
 - 10 = 200µ" [5.08µm] min. Matte Tin per ASTM B545-97
 - 10TL = 200µ" [5.08µm] 90/10 Tin/Lead per MIL-T-10727
 - 11 = 10µ" [0.25µm] min. Gold per MIL-G-45204
- Spinodal Alloy contact plating, -16=50µ [1.27µm] min. Nickel Boron.
- Contact current rating=1 Amp.
- Insulation resistance=1000 MOhms min.
- Dielectric withstanding voltage=1000 VAC.
- Life cycle: 25,000 to 50,000 cycles.
- Operating temp.: 221°F [105°C] Tin plating, 302°F [150°C] Gold plating, 392°F [200°C] Nickel Boron plating.
- Retention Force (when closed)=55 grams/pin based on a .020 [.51] diameter test lead.
- Accepts leads .015-.045 [.38-1.14] wide, .110-.280 [2.79-7.11] long.

MOUNTING CONSIDERATIONS:

- See socket footprint below.

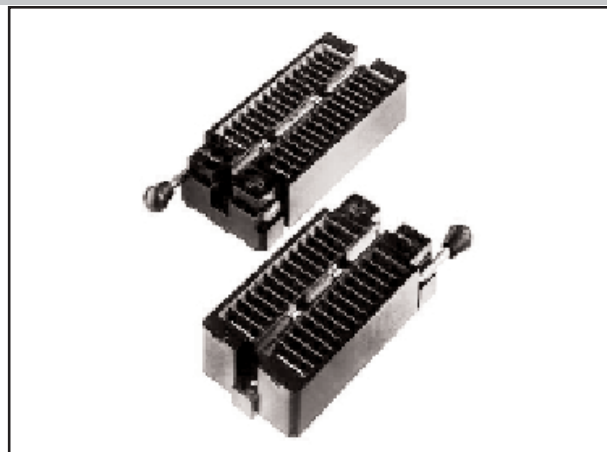
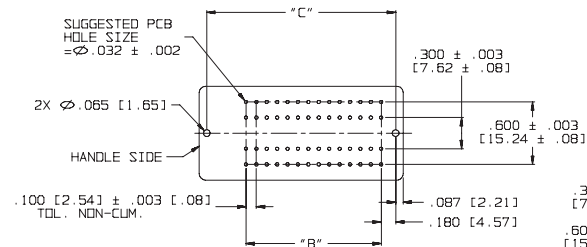
ALL DIMENSIONS: INCHES [MILLIMETERS]

All tolerances ± .005 [.13] unless otherwise specified

"A"=(NO. OF PINS PER ROW X .100 [2.54]) + .590 [14.99]

"B"=(NO. OF PINS PER ROW - 1) X .100 [2.54]

"C"=(NO. OF PINS PER ROW X .100 [2.54]) + .415 [10.54]



Note: Aries specializes in custom design and production. In addition to the standard products shown on this page, special materials, platings, sizes, and configurations can be furnished, depending on quantities. Aries reserves the right to change product specifications without notice.

ORDERING INFORMATION

XX-X55X-1X

No. of pins:
24, 28, 32, 36,
40, 42, 44, 48

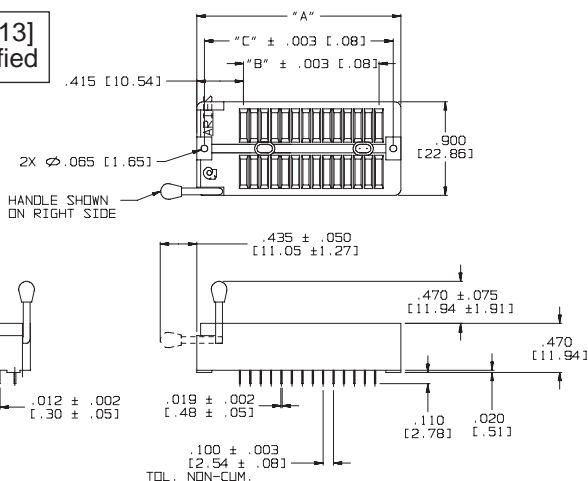
Row-to-row spacing (bottom):
3=.300 [7.62]
6=.600 [15.24] (std.)

Socket fits Aries' Test Socket Receptacle XX-6556-XX or similar competitors' models. Consult Data Sheet No. 10003.

Plating:
0= Tin over Nickel
0TL= Tin/Lead over Nickel
1= Gold over Nickel
6= Nickel Boron Plated Spinodal

Solder tail pin

Handle options:
1=Left, up is on
2=Right, up is on
3=Left, down is on
4=Right, down is on (std.)
Note: On=closed contacts



http://www.arieselec.com • info@arieselec.com

NORTH AMERICA
Frenchtown, NJ USA
TEL: (908) 996-6841
FAX: (908) 996-3891



EUROPE

TEL: +44 870 240 0249
FAX: +44 871 919 6033
europe@arieselec.com



10001
REV.D