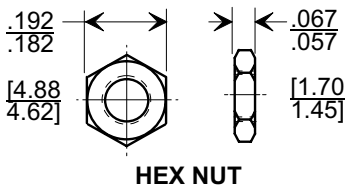
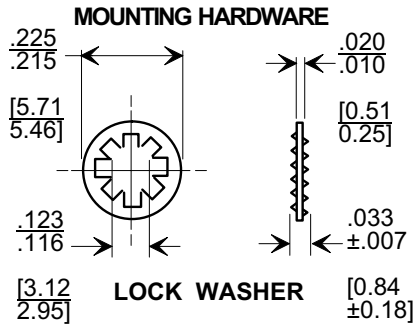
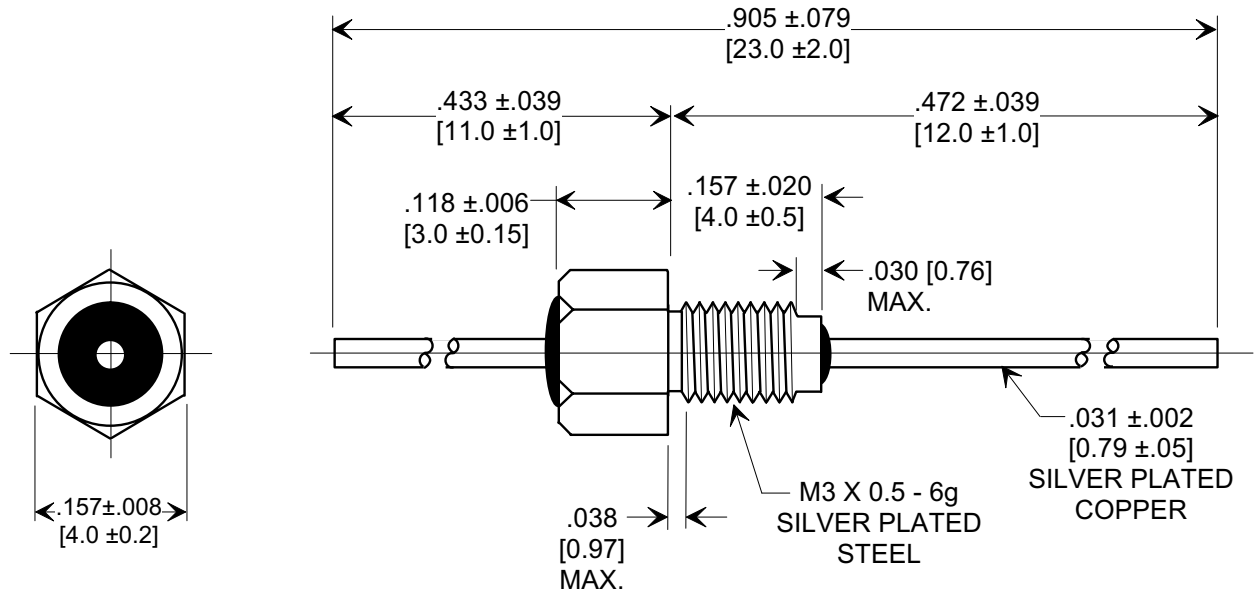
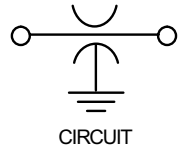


MARKETING SALES DRAWING

**DIMENSIONS IN INCHES - DO NOT SCALE THIS DRAWING
DIMENSIONS IN METRIC []**

Electrical Testing
per Tusonix standard
test plans and Mil-Std-202
Test Methods.



NOTES:

1. OPERATING TEMP. RANGE: -55°C TO +125°C.
2. SUPPLIED WITH SILVER PLATED HEX NUT AND LOCK WASHER.
3. MAX. RECOMMENDED MOUNTING TORQUE : 0.23 Nm.
4. MAX. RECOMMENDED SOLDERING TEMPERATURE : 260° C. SEE INSTALLATION RECOMMENDATIONS.
5. TUSONIX TRADEMARK AND PART VARIATION NUMBER STAMPED ON HEX FLATS.

CAP.(pf)	TOLERANCE	DC WORKING VOLTAGE		DC CURRENT (AMPS)	DWV (VDC)	MIN. NO LOAD INSERTION LOSS (db) @ 25°C PER MIL-STD-220				
		85°C	125 °C			1 MHz	10 MHz	100 MHz	1 GHz	10 GHz
100	GMV	300	200	10	500	----	----	3	20	28

X-2015 Rev-0	REVISION RECORD	
	Original Release C.O. 19990426-3-02	0
	ADDED HEX NUT (2) PLCS. S.M. 01-07-00	1
	20000104-1-05	

--TOLERANCES-- Unless Otherwise Specified		Title BUSHING STYLE EMI FILTER	
DECIMAL ± NOTED		Drawn S.M. 04-30-99 Scale 5 X	
ANGLES ±		Approved J.Mc. 04-30-99	
TUSONIX TUCSON, ARIZONA		A 4400-076	