

[New Release]

R20TS0824EJ0100

Rev.1.00

Jun. 16, 2022

## Renesas Starter Kit+ for RZ/T2M

### Simultaneously Implementing Real-time Control and Industrial Ethernet Communication

#### Outline

Renesas Starter Kit+ for RZ/T2M has been released. It supports the RZ family RZ/T2M group.

#### 1. Product Overview

The Renesas Starter Kit+ for RZ/T2M features a dual-core Cortex®-R52 processor (800 MHz max.) and extensive peripheral functions suitable for industrial applications, making it the ideal starter kit for simultaneously evaluating real-time control and communication processing (such as the Industrial Ethernet).

The kit includes the following hardware necessary for development.

- Hardware
  - CPU board with RZ/T2M group device (dual CPU, internal RAM 2MB, pin count 320-pin), and on-board emulator
  - Power supply USB cable (Type C – Type C)
  - On-board emulator connection USB cable (Type A – Type Micro B)
  - PC terminal debugging USB cable (Type A – Type Mini B)

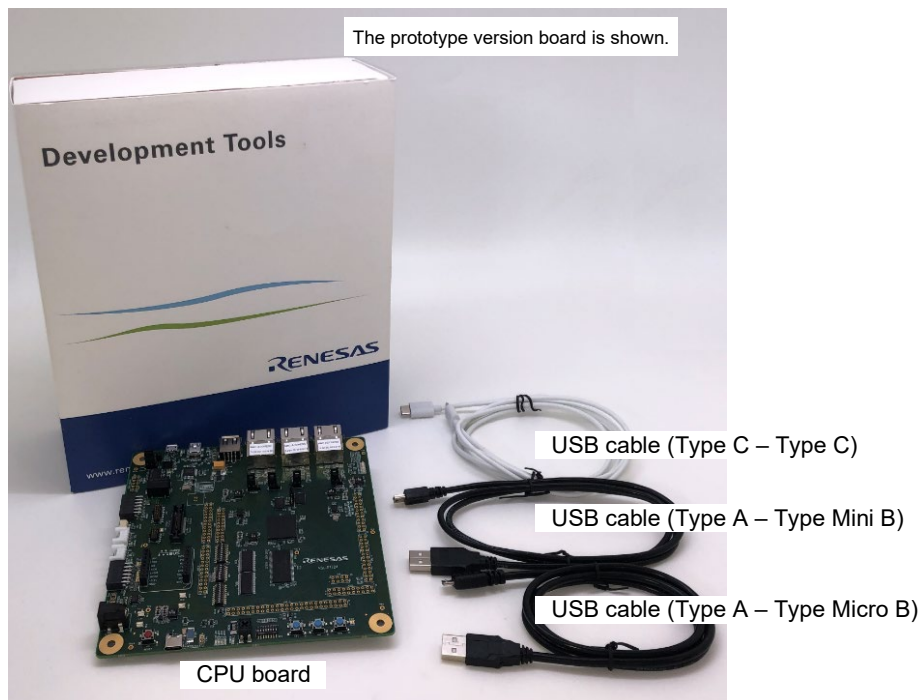


Figure 1 Renesas Starter Kit+ for RZ/T2M

#### ➤ Software

The development environment, sample code, and application notes are available on the website. Please visit the URL below.

- Renesas Starter Kit+ for RZ/T2M product web page  
<https://www.renesas.com/rskrzt2m>

## 2. Product Features

- RZ/T2M with 800 MHz dual-core Cortex®-R52 processor is installed. The product is ideally suited to application development requiring high responsiveness.
- The on-board emulator of the product allows for debugging simply by connecting to a PC and turning on the power.
- The product's three ports offering Gigabit Ethernet PHY enable various types of Industrial Ethernet evaluation.
- The product's Octal SPI Flash and HyperRAM enable evaluation by using fast Flash Memory or RAM.
- Pin headers directly connected to the RZ/T2M provide highly flexible evaluation.
- General-purpose extended interfaces such as PMOD™, GROVE®, QWIIC®, and MikroBUS™ can be used.

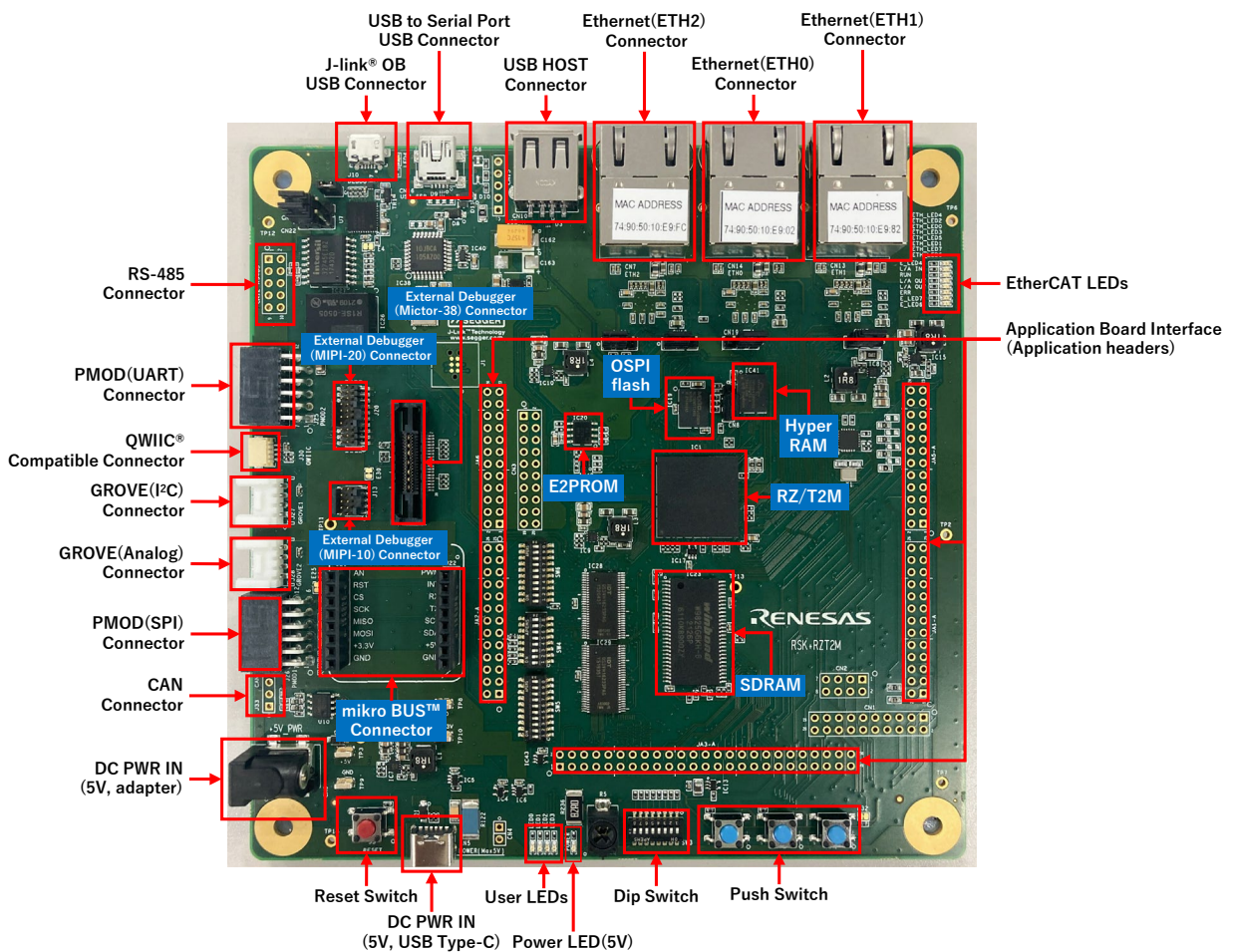


Figure 2 CPU board (component side)

## 3. Purchasing the Product

Contact your local Renesas Electronics sales office or distributor and inform them of the following product information.

Regarding the price of the product, contact the sales office or distributor.

Product part number (orderable part name)	Status
RTK9RZT2M0S00000BE	Mass production

**Revision History**

Rev.	Date	Description	
		Page	Summary
1.00	Jun.16.22	-	First edition issued

Renesas Electronics has used reasonable care in preparing the information included in this document, but Renesas Electronics does not warrant that such information is error free. Renesas Electronics assumes no liability whatsoever for any damages incurred by you resulting from errors in or omissions from the information included herein.

The past news contents have been based on information at the time of publication. Now changed or invalid information may be included.

The URLs in the Tool News also may be subject to change or become invalid without prior notice.

**Corporate Headquarters**

TOYOSU FORESIA, 3-2-24 Toyosu,  
Koto-ku, Tokyo 135-0061, Japan  
[www.renesas.com](http://www.renesas.com)

**Trademarks**

Renesas and the Renesas logo are trademarks of Renesas Electronics Corporation. All trademarks and registered trademarks are the property of their respective owners.

**Contact Information**

For further information on a product, technology, the most up-to-date version of a document, or your nearest sales office, please visit:  
[www.renesas.com/contact/](http://www.renesas.com/contact/)