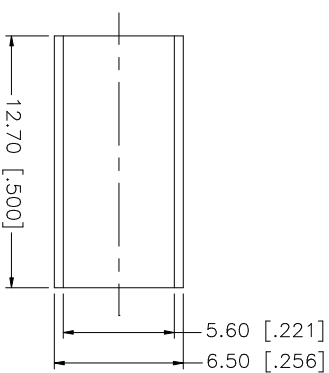
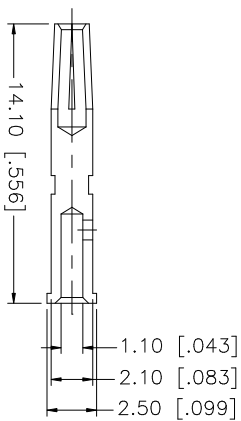
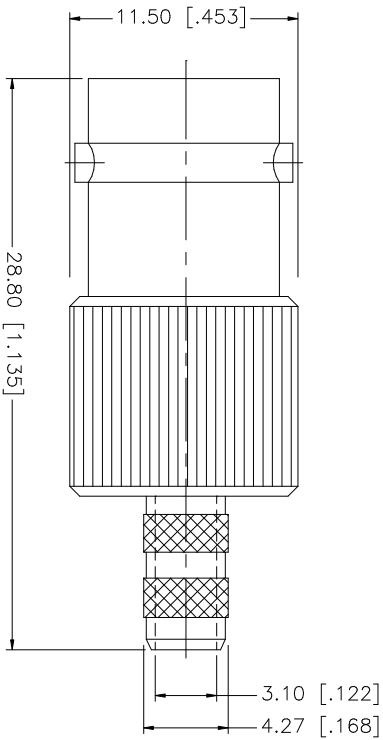
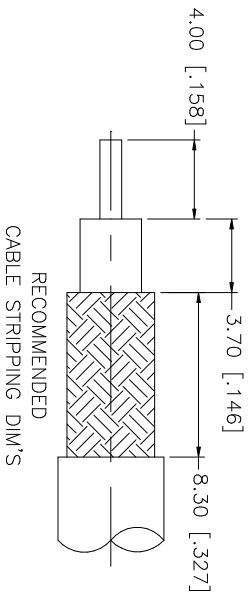


REV.	DATE	DESCRIPTION
NC	07/31/05	INITIAL RELEASE
A	10/30/05	MODIFY FERRULE DIMENSIONS, ADD CABLE DESCRIPTION.



NOTE:

1. CRIMPED FERRULE  
HEX CRIMP SIZE .213"
2. CRIMPED CONTACT PIN  
HEX CRIMP SIZE .068"

**Amphenol** **Comnex**

PART DESCRIPTION  
BNC CRIMP JACK  
(FOR RG-223/U, 142/U, 402/U CABLE)

PART NO. 112513

QTY	FINISH	MATERIAL	DESCRIPTION
1	NICKEL	BRASS	HOUSING/BODY
1	NATURAL	DELRIN	INSULATOR
1	GOLD	PHOS. BRONZE	CONTACT PIN
1	NICKEL	COPPER	FERRULE

UNLESS OTHERWISE SPECIFIED DIMENSIONS ARE IN MILLIMETERS. DIMENSIONS IN [ ] ARE IN INCHES AND FOR CUSTOMER REFERENCE ONLY.  
TOLERANCES FOR MILLIMETERS ARE:  
0.5 - 8mm ± 0.20mm  
8 - 30mm ± 0.40mm  
30 - 120mm ± 0.50mm  
UNLESS OTHERWISE SPECIFIED TOLERANCES FOR INCHES ARE:  
.020 - .315 = ± 0.007"  
.315 - 1.180 = ± 0.015"  
1.180 - 4.724 = ± 0.020"

DO NOT SCALE DRAWING

APPROVALS	DATE
DRAWN G.R.S.	10/30/05
CHECKED	
ISSUED	
SHEET 1 OF 1	

CAD FILE C:/112/112513.DWG

DWG. NO.	REV.	SIZE	SCALE
112513.DWG	A	A	NA