



technical data

19.01.2012

reed-magnetic switch

AC/DC 3-wire

M30 x 1,5

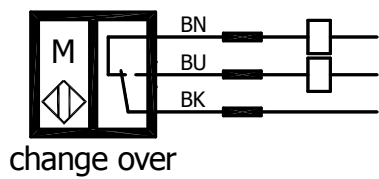
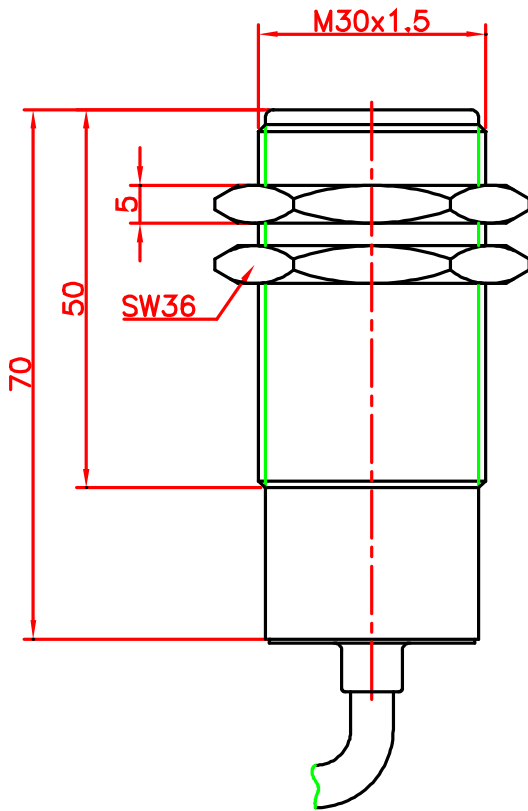
ident-no.:
70454_CO
type:
Conrad-Typ: 505360


revision index: 000

output	change over
switching capacity	max. 60 W/VA
switching voltage	250 V AC/DC
switching current	max. 1000 mA
switch on time	4,5 ms
switch off time	7,0 ms
switching frequency	max. 50 Hz
lifetime at nominal load	10 ⁵ to 10 ⁶ operations
operating temperature range	-25°C ... +80°C
degree of protection acc. to DIN 60 529	IP67
dielectric test voltage ac (rms.) Ui	--- V
on/off indication	---
housing material	plastics
connection	1m PVC-cable 3 x 0,75mm ²
fixing torque	max. 3,0 Nm
operating distance depending on magnetic field	
Reed switches are not suitable for direct switching of lighting, power supplies, drives, etc. (the max current often exceeded during startup/when off).	
Additional coupling with protective relays use.	

Applications are inadmissible when safety of persons depends on the function of the device.

SECATEC electronic GmbH reserves the right to change or discontinue these products without notice and does not assume any liability arising by use the product with non-compliance of this specifications.



Schutzvermerk nach DIN 34 beachten	(Zul.Abw.) Allgemeintol. nach DIN ISO 2768-m	Oberfläche nach DIN 3141	Maßstab 1:1	(Gewicht)
	2012	Datum	Name	(Benennung)
	Bearb. 17.01.	Seifer	Reed-Magnetschalter M30x1,5 Umschalter	
	Gepr.	 Secatec electronic GmbH Knappenstraße 154 D-57581 Katzwinkel (0049)02741/9460-0 www.secatec.de		Blatt
			(Zeichnungsnummer) 70454_CO	Bl. Bl.
Änderungsindex	Datum	Name (Urspr.)	(Ers.f.:	(Ers.d.: