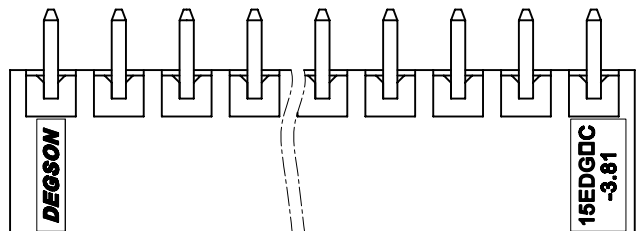
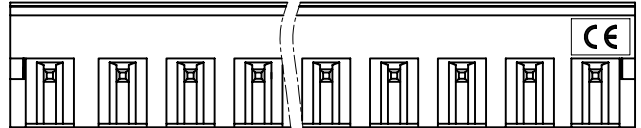
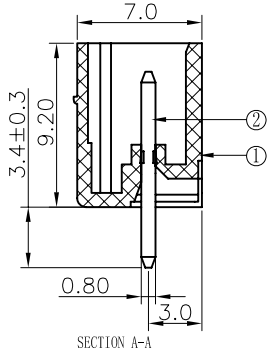
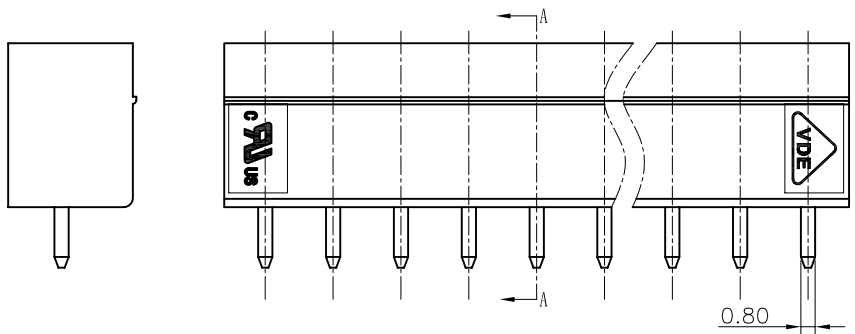
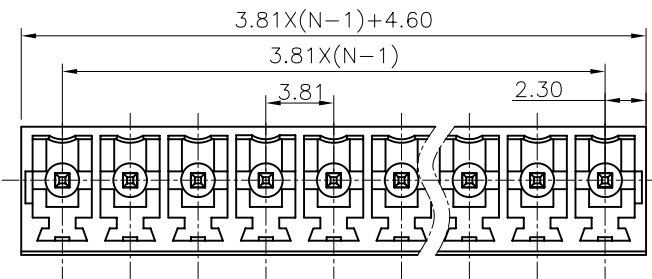


D1RFRD006

7 6 5 4 3 2 1

REVISION RECORD				
REV	ECN	DESCRIPTION	DRFT	DATE



NOTES:

1. PITCH: 3.81MM , POLES: 2-24P
2. RATED VOLTAGE/CURRENT: UL 300V/8A
VDE 250V/7A
3. OPERATION TEMPERATURES: -40°C ~ +105°C
4. WITHSTANDING VOLTAGE: AC2000V/1MIN
5. INSULATION RESISTANCE: 5000MΩ / DC1000V
6. UNDIMENSIONED TOLERANCES:

Pitch range in mm		Nominal dimension range in mm					
to 6	over 6 to 10	over 10 to 24	over 30 to 60	over 60 to 100	over 100 to 150	over 150	— □
±0.10	±0.15	±0.25	±0.2	±0.3	±0.5	±0.7	±1.0 ^{005/10}

1	15EDGVC-3.81-Housing	1003A0YXXA(H)	1	PA66	UL94V-0
ITEM	NAME OF PART	NO. OF PART	Q'TY	MATERIAL	NOTES

DETACHED LISTS	MM (INCH)		MATERIAL:		DEGSO®	
	TOLERANCES EXCEPT AS NOTED		FINISH:			
	.X ±	.X' ±	PART NO.:			NAME:
	.XX ±	.XX' ±	15EDGVC-3.81-XXP-1Y-00A(H)			TITLE: ASSEMBLY DRAWING
	.XXX ±	.XXX' ±				
ANGLES ± 1'		APPD:	CHKD:		REV T8	
THIRD ANGLE PROJECTION		DRFT: Zhuwm 07/24/'04		DO NOT SCALE DRAWING	SCALE N/A SHEET 1/1	

3	15EDGVC-Pin header	1002B00060(H)	XX	Brass	Automatic assembly
2	15EDGVC-Pin header	1002B00010(H)	XX	Brass	Manual assembly

8 7 6 5 4 3 2 1