

1241152-6 ✓ ACTIVE

AMPMODU | AMPMODU HV-100/HV-190

TE Internal #: 1241152-6

AMPMODU HV-100/HV-190, PCB Mount Receptacle, Vertical,  
Board-to-Board, 6 Position, 2.54mm [.1in] Centerline, Gold, Printed  
Circuit Board

[View on TE.com >](#)



Connectors > PCB Connectors > Board-to-Board Connectors > Board-to-Board Headers & Receptacles



PCB Connector Assembly Type: **PCB Mount Receptacle**

PCB Mount Orientation: **Vertical**

Connector System: **Board-to-Board**

Number of Positions: **6**

Centerline (Pitch): **2.54 mm [.1 in]**

## Features

### Product Type Features

PCB Connector Assembly Type	PCB Mount Receptacle
Connector System	Board-to-Board
Sealable	No
Connector & Contact Terminates To	Printed Circuit Board

### Configuration Features

Number of Rows	1
Stackable	Yes
PCB Mount Orientation	Vertical
Number of Positions	6
Board-to-Board Configuration	Parallel

### Body Features

Connector Profile	Standard
-------------------	----------

### Contact Features

Contact Layout	Inline
Contact Protection Type	Closed Entry Housing
Mating Square Post Dimension	.64 mm[.025 in]
PCB Contact Termination Area Plating Material Thickness	2.5 µm
Mating Pin Diameter	.63 mm[.025 in]



Contact Base Material	Phosphor Bronze
Contact Mating Area Plating Material	Gold
Contact Mating Area Plating Material Thickness	.762 $\mu$ m[30 $\mu$ in]
Contact Type	Socket
Contact Current Rating (Max)	3 A

### Termination Features

Rectangular Termination Post & Tail Thickness	.2 mm[.008 in]
Rectangular Termination Post & Tail Width	.7 mm[.027 in]
Termination Method to Printed Circuit Board	Surface Mount

### Mechanical Attachment

Mating Alignment	Without
PCB Mount Retention	Without
PCB Mount Alignment	Without
Connector Mounting Type	Board Mount

### Housing Features

Mating Entry Location	Bottom & Top
Centerline (Pitch)	2.54 mm[.1 in]
Housing Color	Black
Housing Material	LCP (Liquid Crystal Polymer)

### Dimensions

Connector Height	6.2 mm[.244 in]
Row-to-Row Spacing	2.54 mm[.1 in]
Stack Height	9 mm[.354 in]
PCB Thickness (Recommended)	1.4 – 2.4 mm[.055 – .094 in]

### Usage Conditions

Operating Temperature Range	-65 – 125 °C[-85 – 257 °F]
-----------------------------	----------------------------

### Operation/Application

Circuit Application	Signal
---------------------	--------

### Industry Standards

UL Flammability Rating	UL 94V-0
------------------------	----------

### Packaging Features

Packaging Method	Reel
------------------	------



## Product Compliance

[For compliance documentation, visit the product page on TE.com>](#)

EU RoHS Directive 2011/65/EU	Compliant
EU ELV Directive 2000/53/EC	Compliant
China RoHS 2 Directive MIIT Order No 32, 2016	No Restricted Materials Above Threshold
EU REACH Regulation (EC) No. 1907/2006	Current ECHA Candidate List: JAN 2021 (211) Candidate List Declared Against: JAN 2021 (211) Does not contain REACH SVHC
Halogen Content	Low Halogen - Br, Cl, F, I < 900 ppm per homogenous material. Also BFR/CFR/PVC Free
Solder Process Capability	Reflow solder capable to 260°C

### Product Compliance Disclaimer

This information is provided based on reasonable inquiry of our suppliers and represents our current actual knowledge based on the information they provided. This information is subject to change. The part numbers that TE has identified as EU RoHS compliant have a maximum concentration of 0.1% by weight in homogenous materials for lead, hexavalent chromium, mercury, PBB, PBDE, DBP, BBP, DEHP, DIBP, and 0.01% for cadmium, or qualify for an exemption to these limits as defined in the Annexes of Directive 2011/65/EU (RoHS2). Finished electrical and electronic equipment products will be CE marked as required by Directive 2011/65/EU. Components may not be CE marked. Additionally, the part numbers that TE has identified as EU ELV compliant have a maximum concentration of 0.1% by weight in homogenous materials for lead, hexavalent chromium, and mercury, and 0.01% for cadmium, or qualify for an exemption to these limits as defined in the Annexes of Directive 2000/53/EC (ELV). Regarding the REACH Regulation, the information TE provides on SVHC in articles for this part number is based on the latest European Chemicals Agency (ECHA) 'Guidance on requirements for substances in articles' posted at this URL: <https://echa.europa.eu/guidance-documents/guidance-on-reach>

## Compatible Parts



TE Part # 1241150-6  
6P MOD II BREAK AWAY HDR, SMD, BLISTER



TE Part # 826629-6  
06P AMPMODU II PIN HDR.



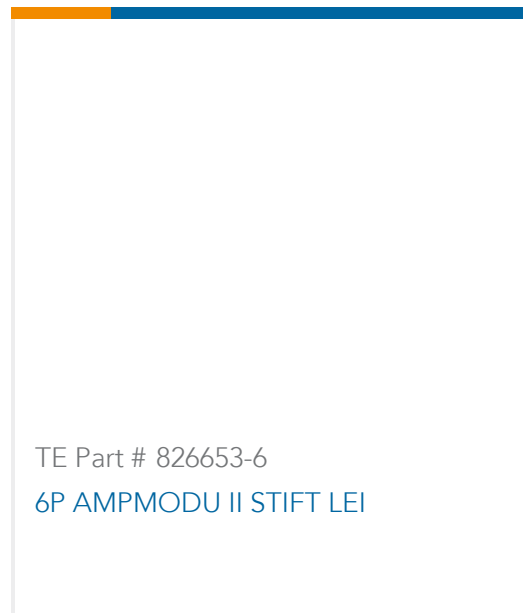
TE Part # 826652-6  
6P AMPMODU II STIFT LEI



TE Part # 826631-6  
6P AMPMODU II STIFT LEI



TE Part # 826646-6  
6P AMPMODU II STIFT LEI



TE Part # 826653-6  
6P AMPMODU II STIFT LEI



TE Part # 215267-6  
AMPMODU,BREAK-AWAY



TE Part # 826648-6  
6P AMPMODU II STIFT LEI



TE Part # 966306-6  
MOD2 ST-LEI SMD 6P



TE Part # 966710-6  
MODU II PIN HEADER, SGL ROW,  
SMD- 6 POS

## Also in the Series | AMPMODU HV-100/HV-190



Board-to-Board Headers & Receptacles(347)

## Customers Also Bought



TE Part #1408151-1  
MMCX Connector: Male (Jack)



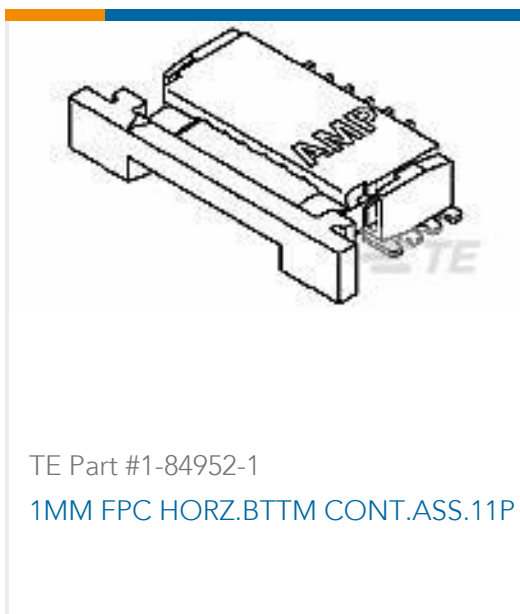
TE Part #1-5499141-1  
AMP-LATCH UNIVERSAL HEADERS



TE Part #1410189-3  
MULTIGIG RT T2 7RW H-LFT,ET2



TE Part #1410187-3  
MULTIGIG RT T2 7RW DC DF CT



TE Part #1-84952-1  
1MM FPC HORZ.BTTM CONT.ASS.11P



TE Part #1241152-5  
5P HV100 REC. CON, SMD, GOLD,  
BLISTER



TE Part #9-2176068-4  
CRG0201 1% 100K



TE Part #1-2176348-1  
CRGCO 2010 47R 5%



## Documents

### Product Drawings

[6P HV100 REC. CON, SMD, GOLD, BLISTER](#)

English

### CAD Files

[3D PDF](#)

3D

Customer View Model

[ENG\\_CVM\\_CVM\\_1241152-6\\_D.2d\\_dxf.zip](#)

English

Customer View Model

[ENG\\_CVM\\_CVM\\_1241152-6\\_D.3d\\_igs.zip](#)

English

Customer View Model

[ENG\\_CVM\\_CVM\\_1241152-6\\_D.3d\\_stp.zip](#)

English

By downloading the CAD file I accept and agree to the [Terms and Conditions](#) of use.

### Datasheets & Catalog Pages

[1773393\\_AMPMODU\\_EUROPEAN\\_STANDARD\\_PRODUCTS](#)

English