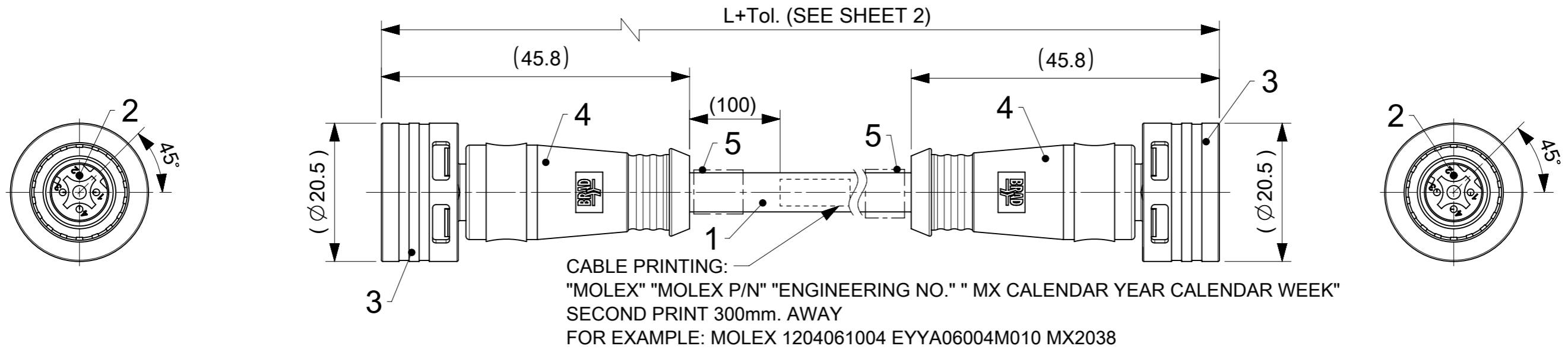
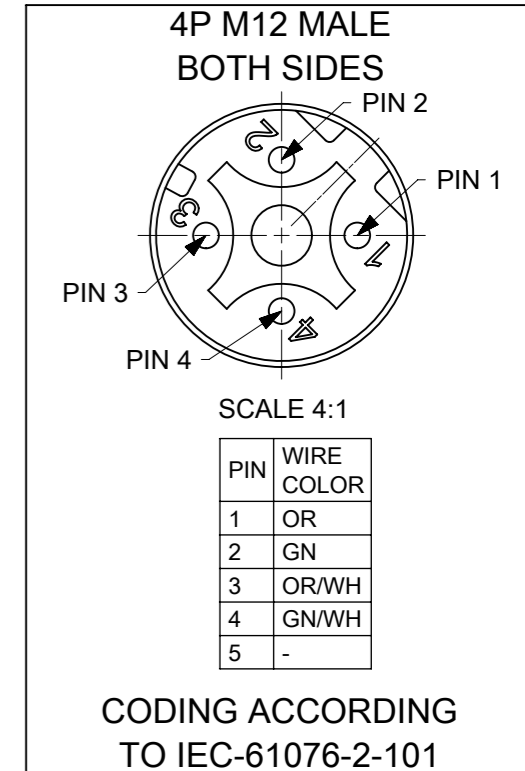
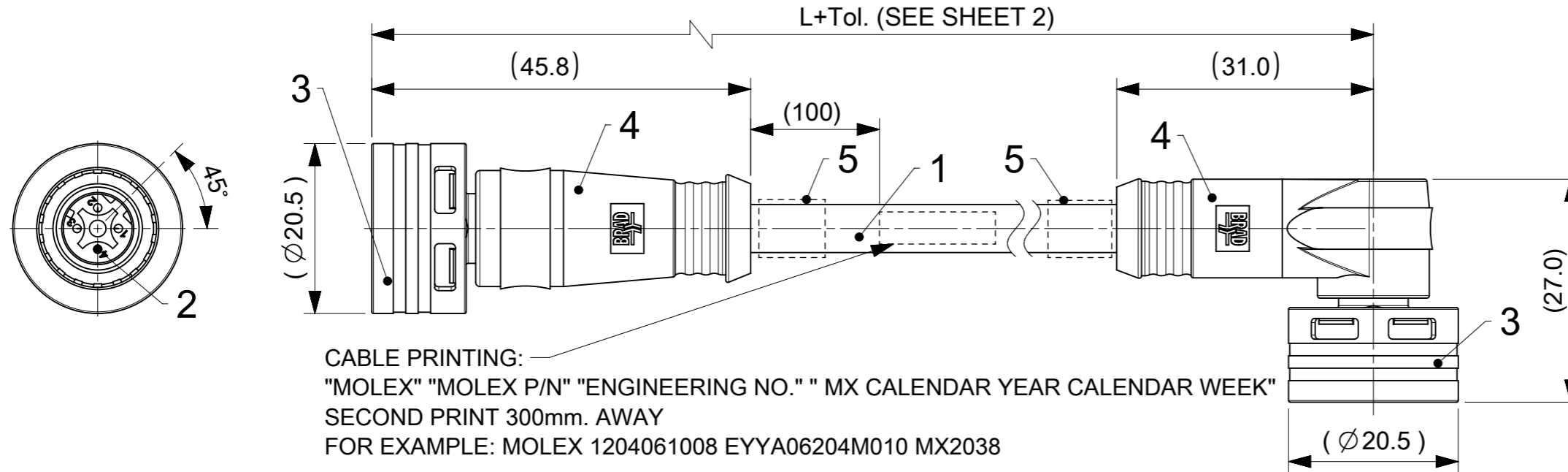


CSE U12ET 4P DC MA STR MA STR TPE XM DE UNSH TE :



CSE U12ET 4P DC MA STR MA RA TPE XM DE UNSH TE :



- NOTES:
- PARTS ACC. TO PRODUCT SPECIFICATION 1204000001 PS P10 AND IN STYLE OF IEC-61076-2-010
 - BOM & PART LIST - SEE SHEET 2
 - ELECTRICAL DATA: ACCORDING TO CAT5e ETHERNET STANDARD
 RATED VOLTAGE: 60V DC
 RATED CURRENT: 1.5A, DERATING HAS TO BE CONSIDERED
 OVERVOLTAGE CATEGORY: 3
 POLLUTION DEGREE: 3, ONLY IN MATED AND LOCKED CONDITION
 TRANSMISSION CHARACTERISTICS ACCORDING TO ISO/IEC 11801 CAT 5e PATCH CORD PROFINET TYPE C
 - PROTECTION CLASS: IP 67, ONLY IN MATED AND LOCKED CONDITION
 - TEMPERATURE RANGE:
 TEMPERATURE PLUG/SOCKET: -40 °C TO +85 °C
 TEMPERATURE CABLE: SEE CABLE LIST
 - MECHANICAL OPERATIONS: 100 CYCLES
 - MATES WITH ULTRA-LOCK M12 FEMALE RECEPTACLES
 - PACKAGING: THE CORDSETS ARE SINGLE PACKED IN PLASTIC BAGS AND DELIVERED IN CARTON BOXES
 - UL CSA FILE REGISTRATION PENDING

| | | | |
|--|---------------------------------------|---|-----------------|
| FUNCTIONAL SYMBOLS | | THIS DRAWING CONTAINS INFORMATION THAT IS PROPRIETARY TO MOLEX ELECTRONIC TECHNOLOGIES, LLC AND SHOULD NOT BE USED WITHOUT WRITTEN PERMISSION | |
| $\nabla_A = 0$ | mm | SCALE | 1.5:1 |
| $\nabla_E = 0$ | GENERAL TOLERANCES (UNLESS SPECIFIED) | | |
| $\nabla_{E'} = 0$ | ANGULAR TOL ± 1.0° | | |
| DIVISIONAL SYMBOLS | | CURRENT REV DESC: NOTES AND CABLE LIST UPDATED | |
| 4 PLACES | ± | EC NO: 736602 | 2023/01/27 |
| 3 PLACES | ± | DRWN: RSCHIEBER | 2023/01/31 |
| 2 PLACES | ± 0.05 | CHK'D: RSILLER | 2023/01/31 |
| 1 PLACE | ± 0.3 | APPR: RSILLER | |
| 0 PLACES | ± 0.5 | INITIAL REVISION: | |
| DRAFT WHERE APPLICABLE MUST REMAIN WITHIN DIMENSIONS | | DRWN: JELIZAINCIN | 2021/04/21 |
| THIRD ANGLE PROJECTION | | APPR: RSILLER | 2022/10/14 |
| DRAWING | | SERIES | MATERIAL NUMBER |
| A3-SIZE | | 120406 | SEE SHEET 2 |
| CUSTOMER | | DOC TYPE | DOC PART |
| GENERAL MARKET | | PSD | 000 |
| SHEET NUMBER | | REVISION | |
| 1 OF 2 | | A1 | |

