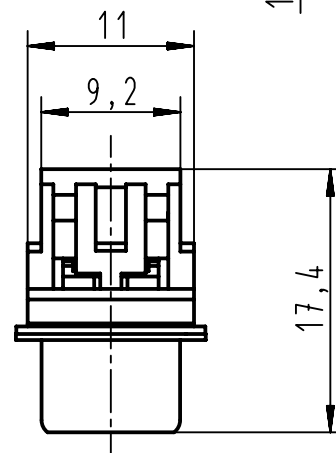
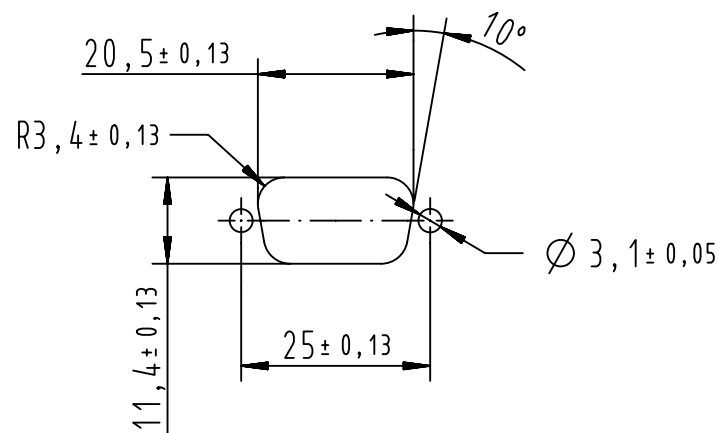



Recommended panel cutout dimensions
for rear mounting
According to CECC 75 301-802



After cover closing

		All Dimensions in mm Original Size DIN A4		Scale 2:1	Free size tol.	Ref.
		All rights reserved		Created by DOUGE	Inspected by BAGDIKIAN	Standardisation HOFFMANN
09661287700	PL3	Department EC PD - FR		Title D-Sub IDC 9P male straight	Date 2013-04-23	State Approved
09661286700	PL2	HARTING Electronics GmbH		Type TB	Number 0966128X700	Doc-Key / ECM-Nr. 100527178/UGD/001/A 500000058439
Part number	Performance level	D-32339 Espelkamp		Rev. A	Page 1/1	