



## WITH MULTI-SYMBOLS 3.5 DIGITS LCD VOLTAGE MODULES – UP6035G

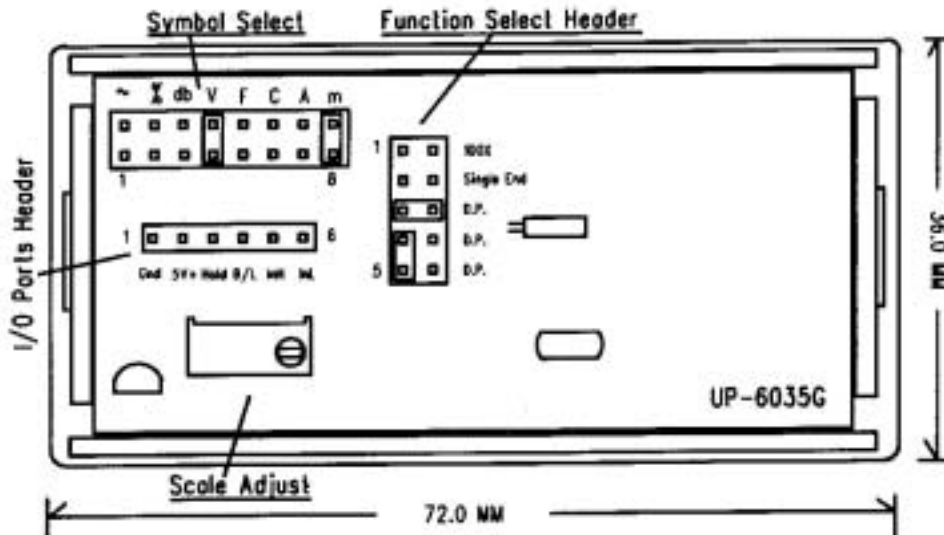
UP-6035G is a low cost, but the stable and reliable universal Digital Voltage Module. It has 8 popular selectable meter symbols on LCD, may be chosen as the reading unit. With a quartz as system clock, a temperature compensated IC as voltage reference and a precision trimmer, meeting most of the industrial and commercial test instruments severe requirement. With a plug-in-self-clip and DIN size (72 x 36 MM) ingenious plastic frame, header pins for I/O, functions and symbols selection, making the mounting and connection easy.

### SPECIFICATIONS

	<b>UP-6035G/5</b>	<b>UP-6035G/9</b>
POWER SUPPLY	- DC 5V, 2mA, w/BL: 42mA	DC 9V, 0.8mA, w/BL: 40mA
"Lo Batt" VISIBLE	- Approx. 4.4V	Approx. 7V
LCD DISPLAY	<b>3 1/2 digits, digit high 0.5" (12.7mm), over range: 1</b>	
FULL RANGE	<b>DC +/- 199.9mV &amp; 19.99V</b>	
SYMBOLS ON DISPLAY	<b>°C, °F, m, A, V, db, %, and ~</b>	
INPUTS	- Differential / Single End	Differential
INPUT IMPEDANCE	<b>&gt; 1,000M at 200mV range/1M at 20V range</b>	
TEMPERATURE COEFFICIENT	- 80 PPM/°C	100 PPM/°C
ACCURACY & LINEARITY	<b>0.2% of reading+1 digit; +/- 1 digit</b>	
CONVERSION RATIO	<b>Approx. 2.5 times per second</b>	
OTHER FUNCTIONS	<b>Hold reading, auto zero &amp; auto polarity With LED back light (BL) may be ordered</b>	
OPERATING TEMP & HUMIDITY	<b>0 to 50°C &amp; &lt; 90%</b>	
STORAGE TEMPERATURE	<b>-20 to 60°C</b>	
PANEL CUT-OUT & THICKNESS	<b>68 x 34 MM &amp; 1 – 3 MM</b>	
DIMENSION & WEIGHT	<b>72 x 36 x 25 MM; 40G</b>	
CONNECTIONS	<b>Plated flash gold Header Pins Single line 6P header for I/O Dual line 5P header for Function &amp; D.P. select by jumper Dual line 8P for Symbol(s) select by jumper</b>	
ACCESSORY	<b>1 pc of 6 pin socket with wires (15 MM long)</b>	

### TYPICAL APPLICATIONS:

**DIRECT USE:** Digital DC Voltage / Current Meter  
**MAY BE USE:** Thermometer, Hygrometer, Bridge readout, AC Voltage, AC current Power, Digital Scale & Power supply readout, etc.



### FUNCTION HEADER DEFINITION:

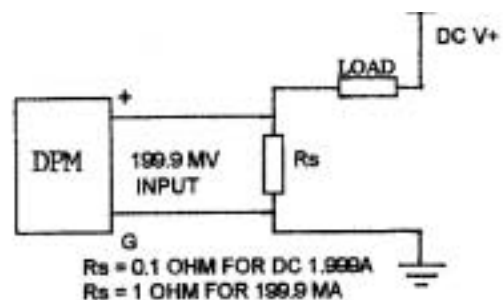
Pin No.	"ON" Meaning	"OFF" Meaning	Default
1	Basic scale x 100 available	Basic scale available	OFF
2	Single End Input available (UP-6035G/9 not function)	Differential Input available	OFF
3	Tens Decimal Point visible	The D.P. disable	ON
4	Hundreds Decimal Point visible	The D.P. disable	OFF
5	Thousands Decimal Point visible	The D.P. disable	OFF

### INPUT / OUTPUT (I/O) HEADER DEFINITION:

- 1 DC power supply input: Vg
- 2 DC power supply input: V+
- 3 Hold reading, (connect to V+ = Hold)
- 4 For LED Back Light (BL) model, (connect to Vg the BL "ON")
- 5 Input Lo
- 6 Input Hi

### HOW TO MAKE DVM TO DC CURRENT METER:

- 1) The total Watt. of the Rs must be noticed, the wire round resistor is recommended.
- 2) The meter must be in 200mV range for the DC current meter.



### HOW TO ORDER THE DVM:

Example: **UP-6035G/5/BL** = UP-6035G with DC5V power supply and has back light function  
**UP-6035G/9** = UP-6035G with DC9V power supply

Remark: Standard basic range is DC199.9mV/19.99V;  
 Basic range DC1.999V may be ordered and with same price.