

STANDARD EXECUTIONS

Material: zinc-plated steel, AISI 301 stainless steel spring:

- TLWS-EG: with eyelet-shaped pulling hook and matching part.
- TLWS-ET: with T-shaped pulling hook and matching part.

Material: body, tie rod and matching part in AISI 304 stainless steel, pins in AISI 303 stainless steel, AISI 301 stainless steel spring:

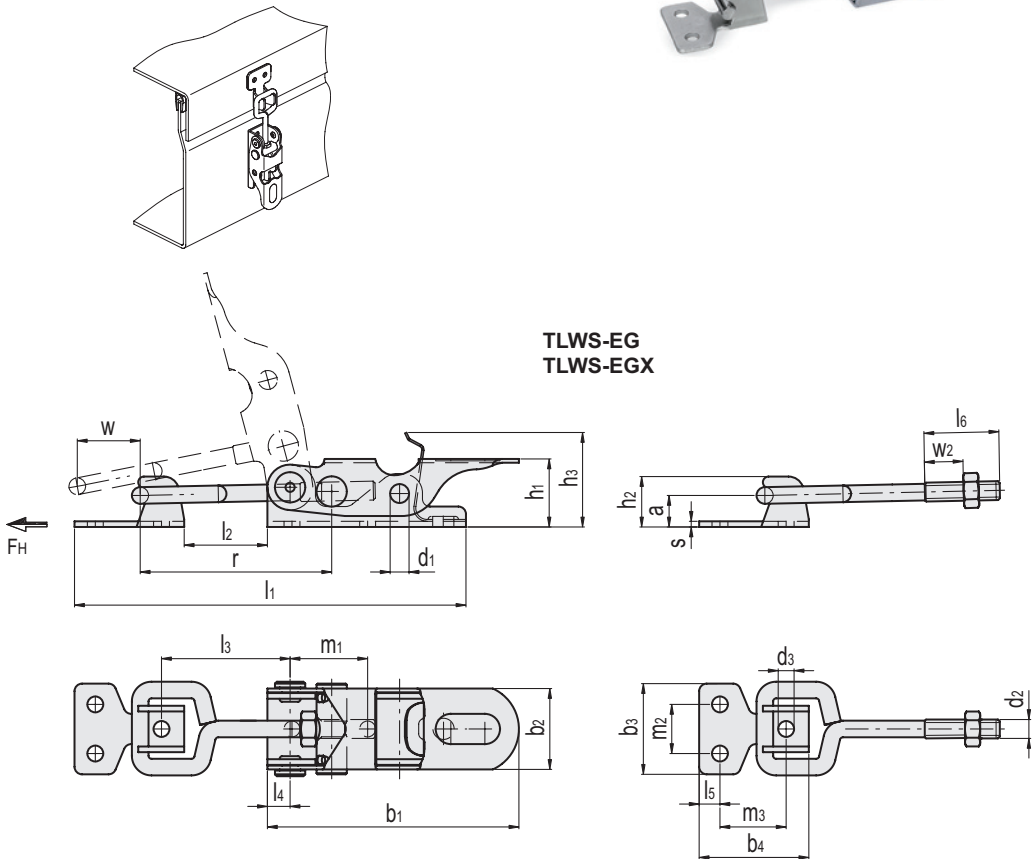
- TLWS-EGX: with eyelet-shaped pulling hook and matching part.
- TLWS-ETX: with T-shaped pulling hook and matching part.

FEATURES AND APPLICATIONS

The TLWS hook clamps with safety stop are particularly indicated for use on machines or applications in the presence of intense stresses or vibrations, in which it is necessary to ensure a tight seal against accidental opening.

A safety spring snaps into the body of the base, preventing it from being released involuntarily, or dislodged by vibrations, from the clamped position.

The position of the pulling hook can be adjusted in length according to the specific applications and for fine adjustment.



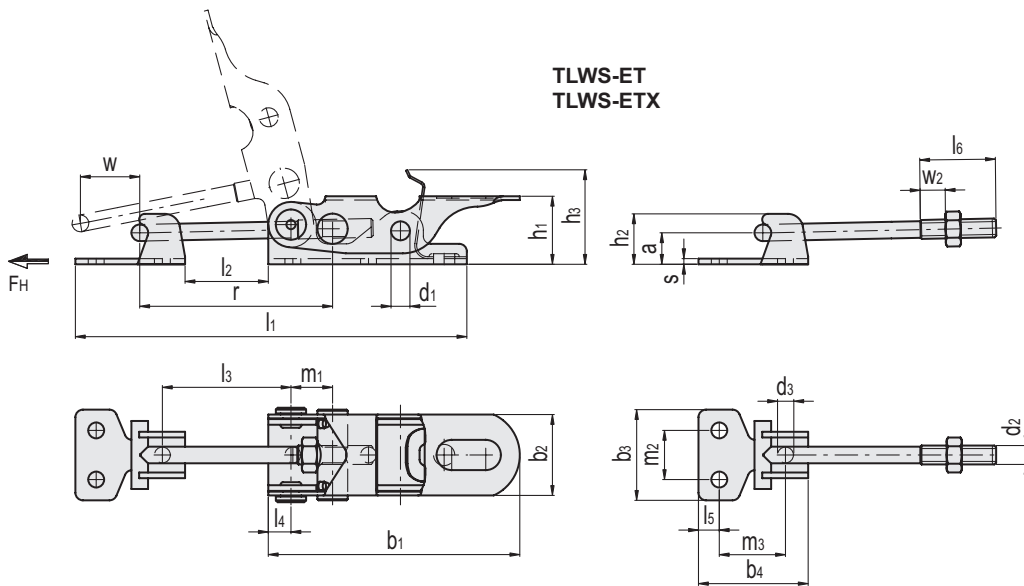
TLWS-EG

Code	Description	a	b1	b2	b3	b4	d1	d2	d3	h1	h2	h3	l1	l2 min	l3 min	l4	l5	l6	m1	m2	m3	r (w2=0)	s	w Stroke	w2	FH* [N]	⚖
GG.AE1110	TLWS-E1GL	8.3	66.5	21.5	24	29	5	M5	4.2	18	13.3	25	117.5	22	34.5	6.5	5.5	20	20	13	17.5	51	1.5	12	7	1000	65
GG.AE2110	TLWS-E2GL	10	85.5	27.5	32	42	6	M6	5.2	25	16.4	33	155.5	28	44	8	10	25	24.5	15	24	64	2	14	11	2000	143
GG.AE3110	TLWS-E3GL	12.7	104.5	31.5	38	52	8	M8	6.5	32	20.7	41.5	189.5	33	54	11	12.5	30	30	20	29.5	79.5	2.5	18	12.5	3000	273

TLWS-EGX

Code	Description	a	b1	b2	b3	b4	d1	d2	d3	h1	h2	h3	l1	l2 min	l3 min	l4	l5	l6	m1	m2	m3	r (w2=0)	s	w Stroke	w2	FH* [N]	⚖
GG.ES1110	TLWS-E1GLX	8.3	66.5	21.5	24	29	5	M5	4.2	18	13.3	25	117.5	22	34.5	6.5	5.5	20	20	13	17.5	51	1.5	12	7	1000	65
GG.ES2110	TLWS-E2GLX	10	85.5	27.5	32	42	6	M6	5.2	25	16.4	33	155.5	28	44	8	10	25	24.5	15	24	64	2	14	11	2000	143
GG.ES3110	TLWS-E3GLX	12.7	104.5	31.5	38	52	8	M8	6.5	32	20.7	41.5	189.5	33	54	11	12.5	30	30	20	29.5	79.5	2.5	18	12.5	3000	273

* FH: holding force.



TLWS-ET

Code	Description	a	b1	b2	b3	b4	d1	d2	d3	h1	h2	h3	l1	l2 min	l3 min	l4	l5	l6	m1	m2	m3	r (w2=0)	s	w Stroke	w2	FH* [N]	Δ
GG.AE1120	TLWS-E1TL	8.3	66.5	21.5	24	29	5	M5	4.2	18	13.3	25	117.5	22	34.5	6.5	5.5	20	20	13	17.5	51	1.5	12	7	1000	62
GG.AE2120	TLWS-E2TL	10	85.5	27.5	32	42	6	M6	5.2	25	16.4	33	155.5	28	44	8	10	25	24.5	15	24	64	2	14	11	2000	136
GG.AE3120	TLWS-E3TL	12.7	104.5	31.5	38	52	8	M8	6.5	32	20.7	41.5	189.5	33	54	11	12.5	30	30	20	29.5	79.5	2.5	18	12.5	3000	258

TLWS-ETX



Code	Description	a	b1	b2	b3	b4	d1	d2	d3	h1	h2	h3	l1	l2 min	l3 min	l4	l5	l6	m1	m2	m3	r (w2=0)	s	w Stroke	w2	FH* [N]	Δ
GG.ES1120	TLWS-E1TLX	8.3	66.5	21.5	24	29	5	M5	4.2	18	13.3	25	117.5	22	34.5	6.5	5.5	20	20	13	17.5	51	1.5	12	7	1000	62
GG.ES2120	TLWS-E2TLX	10	85.5	27.5	32	42	6	M6	5.2	25	16.4	33	155.5	28	44	8	10	25	24.5	15	24	64	2	14	11	2000	136
GG.ES3120	TLWS-E3TLX	12.7	104.5	31.5	38	52	8	M8	6.5	32	20.7	41.5	189.5	33	54	11	12.5	30	30	20	29.5	79.5	2.5	18	12.5	3000	258

* FH: holding force.

