

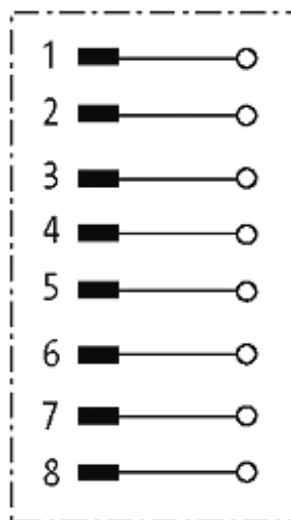
**M12 MALE 90° FIELD-WIREABLE SCREW TERM.**8-pol. max.0.5mm<sup>2</sup> 6-8mm

Male 90°

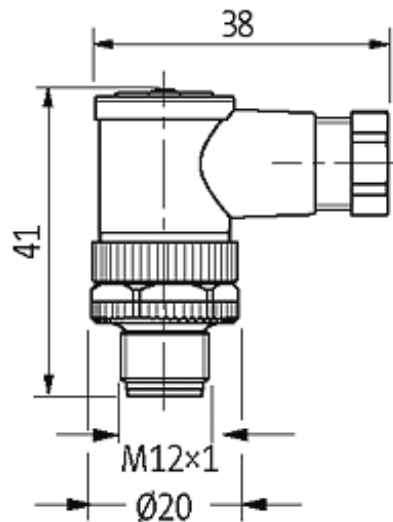
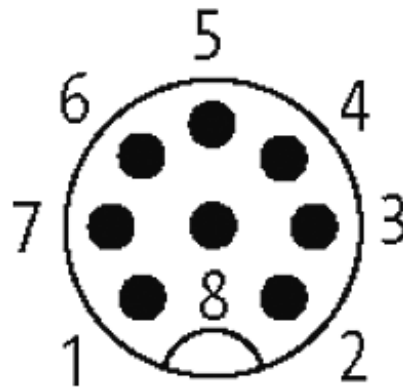
8-pole

Clamping range cable entry: 6...8 mm

Plastic housings with good resistance against chemicals and oils. The resistance to aggressive media should be individually tested for your application. Further details on request.

[Link to Product](#)**Illustration**

## Male



Product may differ from Image

## Approvals



## Form

17311

## Technical Data

Operating voltage	max. 60 V AC/DC
Operating current per contact	max. 2 A
Connection cross section	max. 0.5 mm <sup>2</sup>
Sealing range (cable diameter)	6...8 mm
Locking of ports	Screw thread M12 × 1 mm (recommended torque 0.6 Nm) self-securing
Protection	IP65 and IP67 when plugged and screwed down (EN 60529)

**General data**

Temperature range	-25...+85 °C
-------------------	--------------

**Commercial data**

country of origin	DE
-------------------	----

customs tariff number	85369010
-----------------------	----------

minimum order quantity	1
------------------------	---