

SVS VALVE PLUG FORM B 10 MM FIELD-WIREABLE

0...230V PG9

Form B (10 mm)

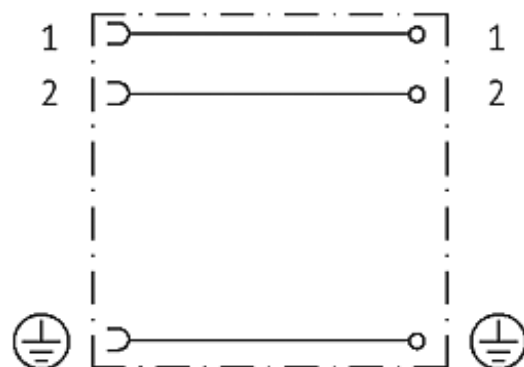
0...230 V AC/DC, without components

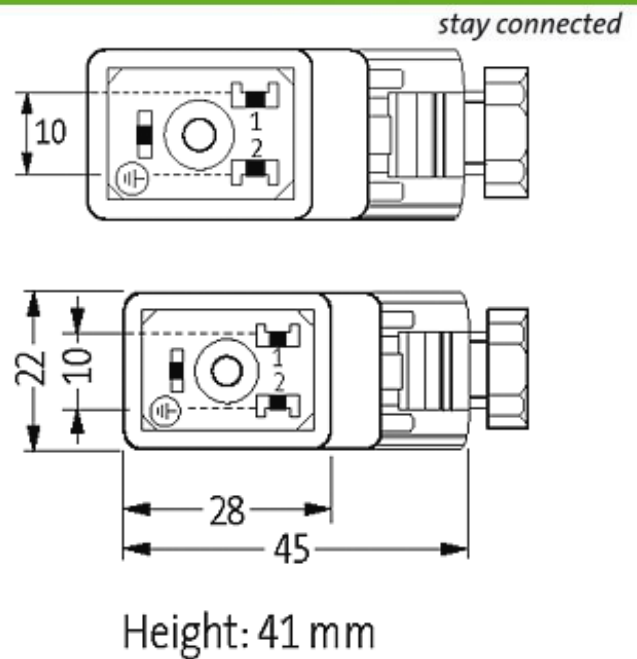
PG 9

Plastic housings with good resistance against chemicals and oils. The resistance to aggressive media should be individually tested for your application. Further details on request.

[Link to Product](#)

Illustration





Product may differ from Image

Approvals



Form

29781

Technical Data

| | |
|--------------------------------|---|
| Operating voltage | 0...230 V AC/DC |
| Operating current per contact | max. 10 A |
| Sealing range (cable diameter) | 6...8 mm |
| Compression gland | PG 9 |
| Plug color | Black housing, transparent flip top |
| Protection | IP65 inserted and tightened (EN 60529), with gland |
| Locking of ports | M3 (recommended torque 0.4 Nm) |
| Connection cross section | 4 mm ² single core, with ferrule end 1.5 mm ² |

General data

| | |
|-------------------|--------------|
| Temperature range | -20...+60 °C |
|-------------------|--------------|

Commercial data

| | |
|------------------------|----------|
| country of origin | CZ |
| customs tariff number | 85369010 |
| minimum order quantity | 1 |