

MPX ARCA 5040



Sample image

Order symbol : MPX ARCA 5040

Product nr : 8120745

Description : Mounting plate (450x350 mm)

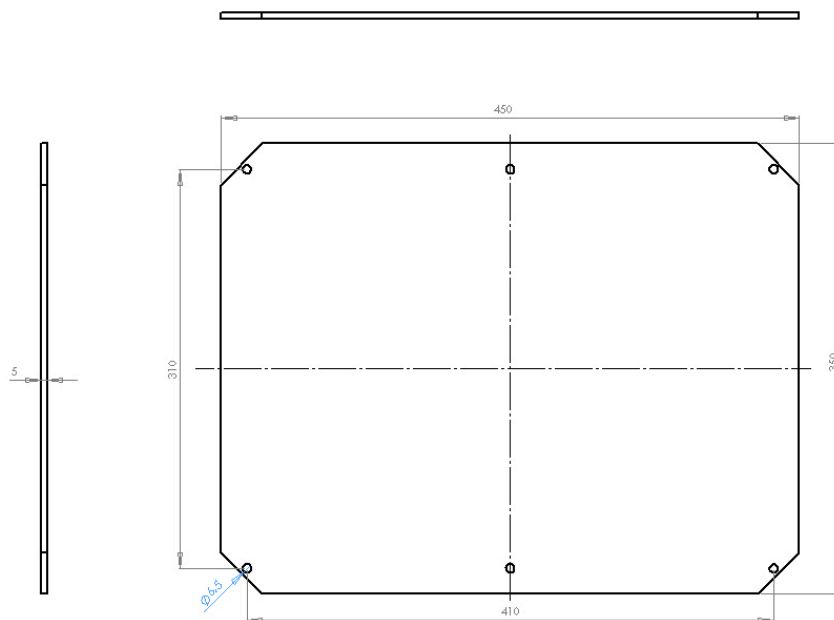
Remarks : Isolated, for size 500x400x210

Including :

EAN : 6418074082671

El. number :

- Finland : 3423827
- Denmark : 8212094521
- Sweden :



Dimensions :

	Height	Width	Depth
mm :	450	350	5
inch :	17.72	13.78	0.2

Materials :

Material :
Base colour :
Cover colour :
Gasket material :

Temperatures :

Temperature °C (short term) :
Temperature °C (continuous) :
Temperature °F (short term) :
Temperature °F (continuous) :

Rating :

Ingress protection (EN 60529):
Impact Resistance (EN 62262):
Electrical insulation : Not insulated
Halogen free (DIN/VDE 0472, Part 815): 0
UV resistance : -
Flammability Rating :
Glow Wire Test (IEC 695-2-1) °C : C
NEMA Class

Certificates :