

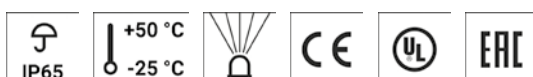
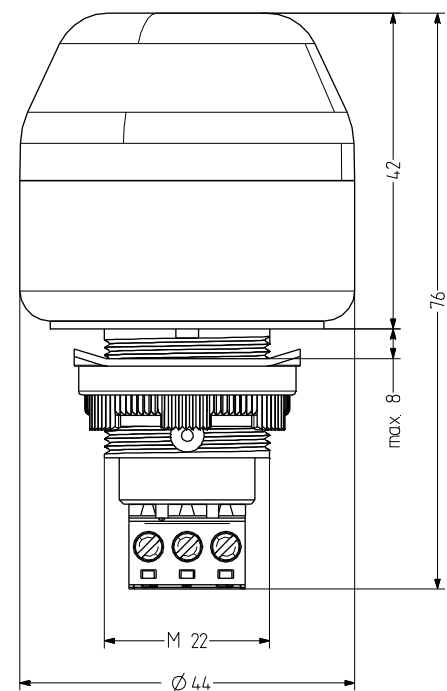
IDM M22 panel mount LED multi colour beacon

- Ø 45 mm panel-mount LED multi-colour steady beacon
- RED or GREEN, can be switched externally
- Good signalling effect
- High degree of protection IP 65
- User-friendly connection technology
- Prewired model versions with IP 67 on request
- Modern LED technology and electronics
- Other colour combinations available on request
- For industrial and general applications
- Panel size Ø 22.5 mm/M22
- Adapter available for M30.5 mm panel size



TECHNICAL DATA

Housing	Ø 45 mm, Polycarbonate black (RAL 9005) or grey (RAL 7035)
Lens	Polycarbonate, ribbed inside clear
Type of mounting	any
Panel size	22x1,25 mm (M22) and 30.5 mm (with adapter), mounting depth 34 mm
Connection technology	Screw/plug-in terminal 2,5 mm ²
Leakage current	0,003 A (PLC-suitable)
Beacon type	LED steady beacon – 2 colours, in each case 1 colour visible across whole lens
Light source	9 LEDs
Strobe/flash frequency	1 Hz
Number of colours	2
Duty cycle	100 %
Service life	Light source: 100.000 h
Operating temperature	-25°C/+50°C
Degree of protection	IP65 & UL Type 4/4x/13
Weight	55 g



IDM

ORDER DATA

Lens colour	Nominal voltage	Voltage range (V)	Nominal current (A)	Housing colour	
				black	grey
clear	24 V AC/DC	+/- 10 %	0,046	801 626 405	801 226 405
	110-120 V AC	+/- 10 %	0,035	801 626 310	801 226 310
	230-240 V AC	+/- 10 %	0,035	801 626 313	801 226 313



ADM30

ACCESSORIES

Type	Type of accessory	Weight	Order number
ADM30	Adapter for M30.5 for 30.5 mm holes	8 g	812 500 900